

A

B

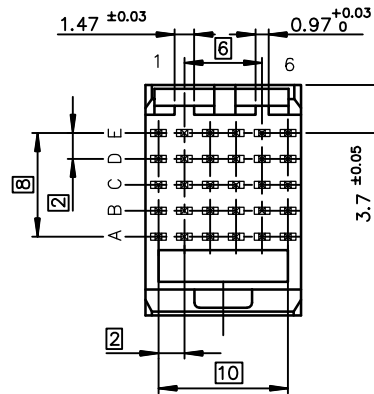
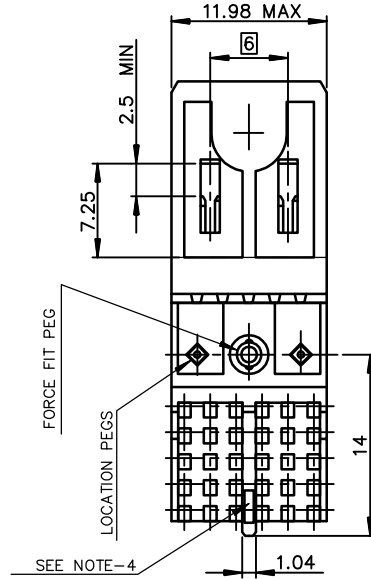
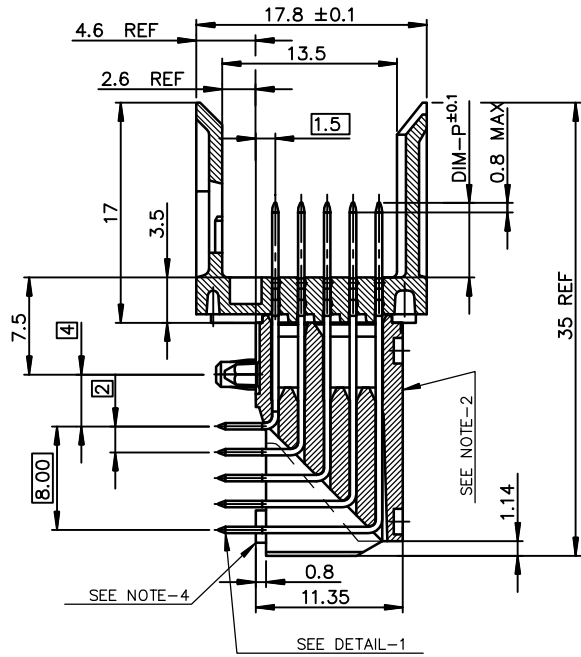
C

D

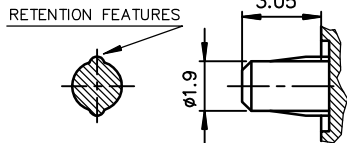
A

B

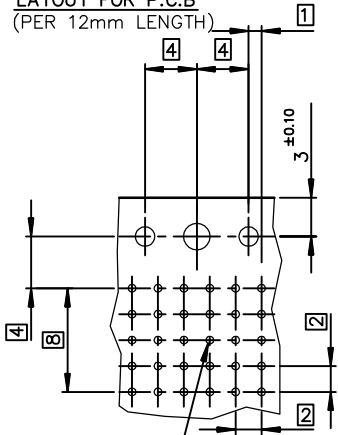
D



DETAIL OF FORCE-FIT PEGS

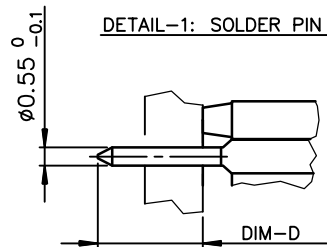


LAYOUT FOR P.C.B (PER 12mm LENGTH)



Hole according to product spec GS-12-445 (for press-fit), GS-12-446 (for STB)

DETAIL-1: SOLDER PIN



NOTE-2: INSERTION IN PCB, HANDLING OR BENCH PRESS  
 NOTE-3: IF SUFFIX "P" IS ADDED IN P/N PACKAGING IS IN TRAYS BUT CONNECTOR MARKING IS WITHOUT "P"  
 EXAMPLE: HM1XXXXXXXXH6P, MARKED HM1XXXXXXXXH6  
 NOTE-4: REAR CENTRAL SUPPORT FOR BETTER ASSY ON PCB

GENERAL CHARACTERISTICS AND ROHS INFORMATIONS:

SEE PRODUCT SPECIFICATION GS-12-446

European Views

|   |          |                       |                                   |                       |              |
|---|----------|-----------------------|-----------------------------------|-----------------------|--------------|
| www.fciconnect.com  |          | surface<br>ISO 1302 ✓ | tolerance std<br>ISO 406 ISO 1101 | projection<br>        | mm<br>↔      |
| TOLERANCES UNLESS OTHERWISE SPECIFIED                     |          |                       |                                   |                       |              |
| Dr  | CHAMPION | 1997/06/17            | ANGULAR                           | 0.X                   | ±0.1         |
| Eng   | LENOIR   | 1997/06/17            | LINEAR                            | 0.XX                  | ±0.1         |
| Chr   | LEGARE   | 1997/06/17            | 0.XX ±2                           | 0.XXX                 | ±0.1         |
| Appr  | LEGARE   | 1997/06/17            | Product family                    |                       | METRAL       |
| title<br>METRAL RA HEADER 5 ROW<br>STANDARD SOLDER 30 WAY |          |                       |                                   | dwg no<br>C-8626-0239 | Rev.<br>F    |
| catalog no  |          |                       |                                   | CUSTOMER              | sheet 1 of 2 |



Copyright FCI.

TIN LEAD PART NUMBER

|                                       |       |       |       |       |       |                    |                            |  |  |  |
|---------------------------------------|-------|-------|-------|-------|-------|--------------------|----------------------------|--|--|--|
| Part Number: HM1L51xyP000Hz           |       |       |       |       |       |                    |                            |  |  |  |
| MATING LENGTH DIM-P / REPLACE 'x' BY: |       |       |       |       |       |                    |                            |  |  |  |
|                                       | ROW-A | ROW-B | ROW-C | ROW-D | ROW-E |                    |                            |  |  |  |
| A =                                   | 5.00  | 5.00  | 5.00  | 5.00  | 5.00  |                    |                            |  |  |  |
| L =                                   | 5.75  | 5.75  | 5.75  | 5.75  | 5.75  |                    |                            |  |  |  |
| D =                                   | 6.50  | 6.50  | 6.50  | 6.50  | 6.50  |                    |                            |  |  |  |
| B =                                   | 6.50  | 5.00  | 5.00  | 5.00  | 5.00  |                    |                            |  |  |  |
| C =                                   | 6.50  | 5.75  | 5.75  | 6.50  | 5.75  |                    |                            |  |  |  |
|                                       |       |       |       |       |       | TERMINATION LENGTH | D=2.90 ±0.3,replace y by A |  |  |  |
|                                       |       |       |       |       |       | DIM-D              | D=3.70 ±0.3,replace y by B |  |  |  |

LEAD FREE PART NUMBER

|                                       |       |       |       |       |       |                    |                            |  |  |  |
|---------------------------------------|-------|-------|-------|-------|-------|--------------------|----------------------------|--|--|--|
| Part Number: HM1L51xyP000HzLF         |       |       |       |       |       |                    |                            |  |  |  |
| MATING LENGTH DIM-P / REPLACE 'x' BY: |       |       |       |       |       |                    |                            |  |  |  |
|                                       | ROW-A | ROW-B | ROW-C | ROW-D | ROW-E |                    |                            |  |  |  |
| A =                                   | 5.00  | 5.00  | 5.00  | 5.00  | 5.00  |                    |                            |  |  |  |
| L =                                   | 5.75  | 5.75  | 5.75  | 5.75  | 5.75  |                    |                            |  |  |  |
| D =                                   | 6.50  | 6.50  | 6.50  | 6.50  | 6.50  |                    |                            |  |  |  |
| B =                                   | 6.50  | 5.00  | 5.00  | 5.00  | 5.00  |                    |                            |  |  |  |
| C =                                   | 6.50  | 5.75  | 5.75  | 6.50  | 5.75  |                    |                            |  |  |  |
|                                       |       |       |       |       |       | TERMINATION LENGTH | D=2.90 ±0.3,replace y by A |  |  |  |
|                                       |       |       |       |       |       | DIM-D              | D=3.70 ±0.3,replace y by B |  |  |  |

|                               |       |       |       |       |                            |  |  |  |  |
|-------------------------------|-------|-------|-------|-------|----------------------------|--|--|--|--|
| PART NUMBER / CONTACT LOADING |       |       |       |       |                            |  |  |  |  |
| MATING LENGTH DIM-P           |       |       |       |       | PART NUMBER                |  |  |  |  |
| ROW-A                         | ROW-B | ROW-C | ROW-D | ROW-E | DIM-D                      |  |  |  |  |
| 5.75                          | 5.75  | —     | 5.75  | 5.75  | HM1L51LAP347H6PLF 2.90±0.3 |  |  |  |  |

"—" EMPTY POSITION

European Views

|                                       |   |            |   |                                   |                       |                            |
|---------------------------------------|---|------------|---|-----------------------------------|-----------------------|----------------------------|
| www.fciconnect.com                    |   |            | surface<br>ISO 1302 <input checked="" type="checkbox"/> | tolerance std<br>ISO 406 ISO 1101 | projection<br>        | mm<br>                     |
| TOLERANCES UNLESS OTHERWISE SPECIFIED |   |            |   |                                   |                       |                            |
| Dr                                    | CHAMPION  | 1997/06/17 | ANGULAR<br>LINEAR                                       | 0.X                               | ±0.1                  | size<br>A3<br>Scale<br>2.5 |
| Eng                                   | LENOIR  | 1997/06/17 |   | 0.XX                              | ±0.1                  |                            |
| Chr                                   | LEGARE  | 1997/06/17 |   | 0.XX* ±2                          | 0.XXX                 |                            |
| Appr                                  | LEGARE  | 1997/06/17 | Product family  | METRAL                            | Spec ref              | -                          |
|                                       | title<br>METRAL RA HEADER 5 ROW<br>STANDARD SOLDER 30 WAY |            |   |                                   | dwg no<br>C-8626-0239 | Rev.<br>F                  |
| catalog no                            |   |            |   | -                                 | CUSTOMER              | sheet 2 of 2               |