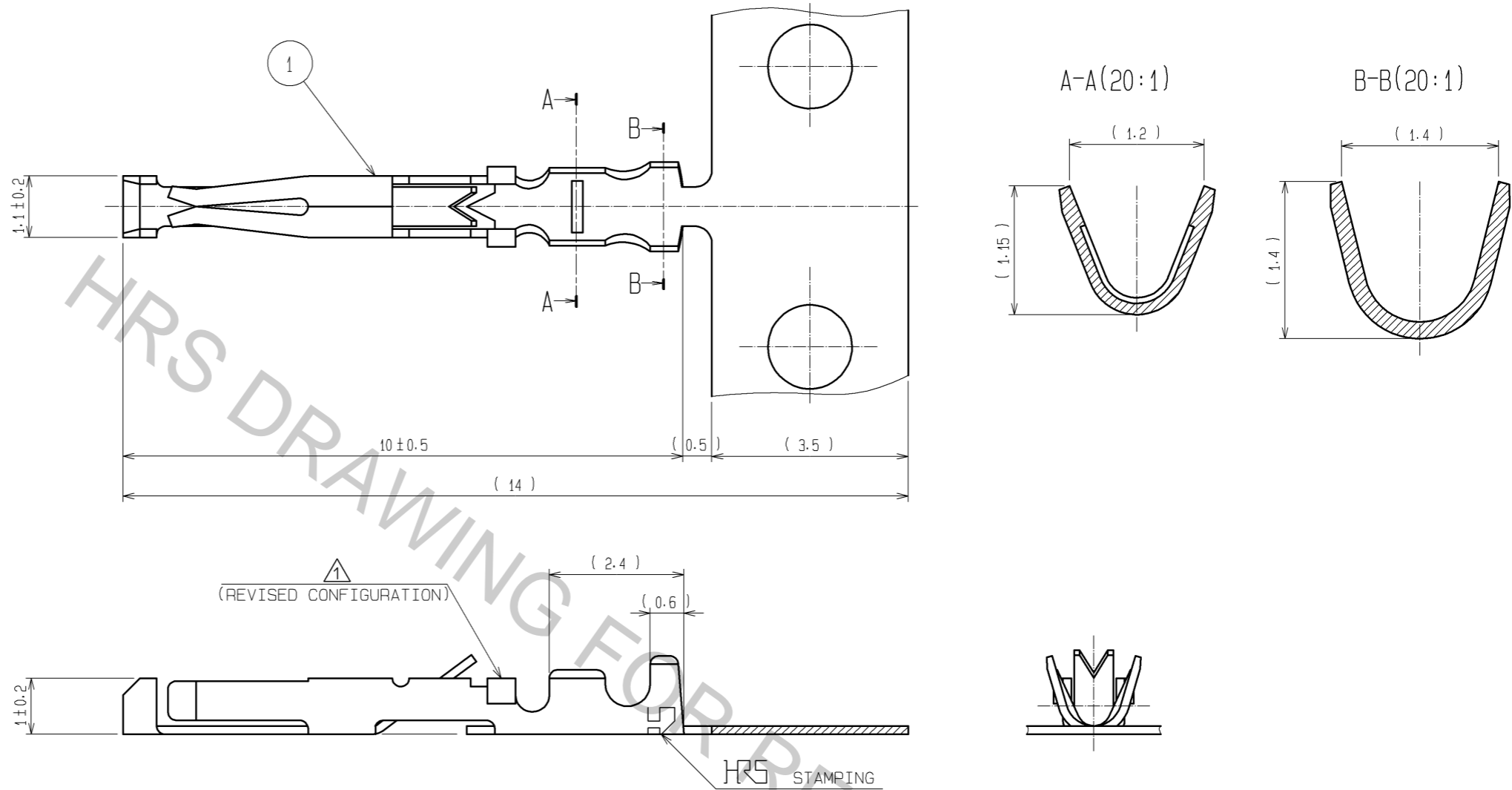
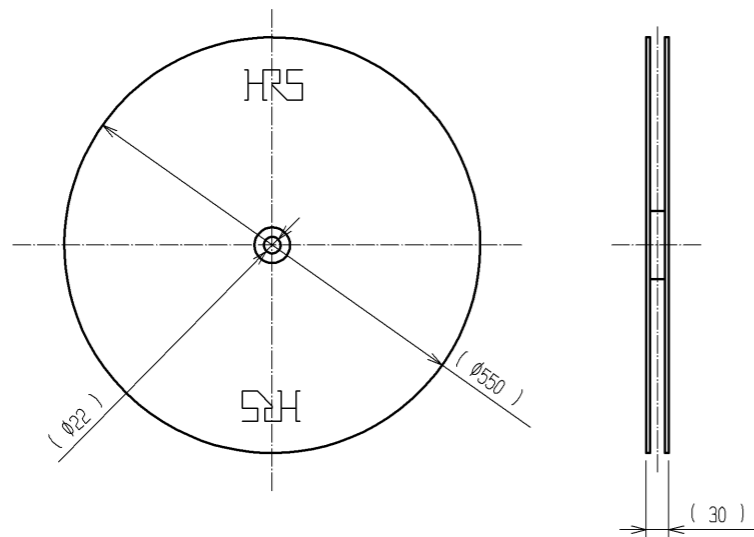


Oct.1.2018 Copyright 2018 HIROSE ELECTRIC CO., LTD. All Rights Reserved.
 In case that the application demands a high level of reliability, such as automotive,
 please contact a company representative for further information.



NOTE 1 APPLICABLE WIRE : AWG#26~#30

② REEL (1:10)



1	PHOSPHOR BRONZE	SILVER PLATED(n=10000)	2	CARTON	(REEL)
NO.	MATERIAL	FINISH . REMARKS	NO.	MATERIAL	FINISH . REMARKS
UNITS mm			SCALE 10:1	COUNT 1	DESCRIPTION OF REVISIONS DIS-C-001429
APPROVED : MR. YOSHIDA			05.01.05		DESIGNED HK. NAMAI
CHECKED : MO. SATOH			05.01.05		CHECKED HY. KISHI
DESIGNED : YH. YAMADA			05.01.05		DATE 09.11.17
DRAWN : YH. YAMADA			05.01.05		
HRS HIROSE ELECTRIC CO., LTD.			DRAWING NO. EDC3-021313		
			PART NO. HR12-SC-212		
			CODE NO. CL112-0408-9-00		
					1/1