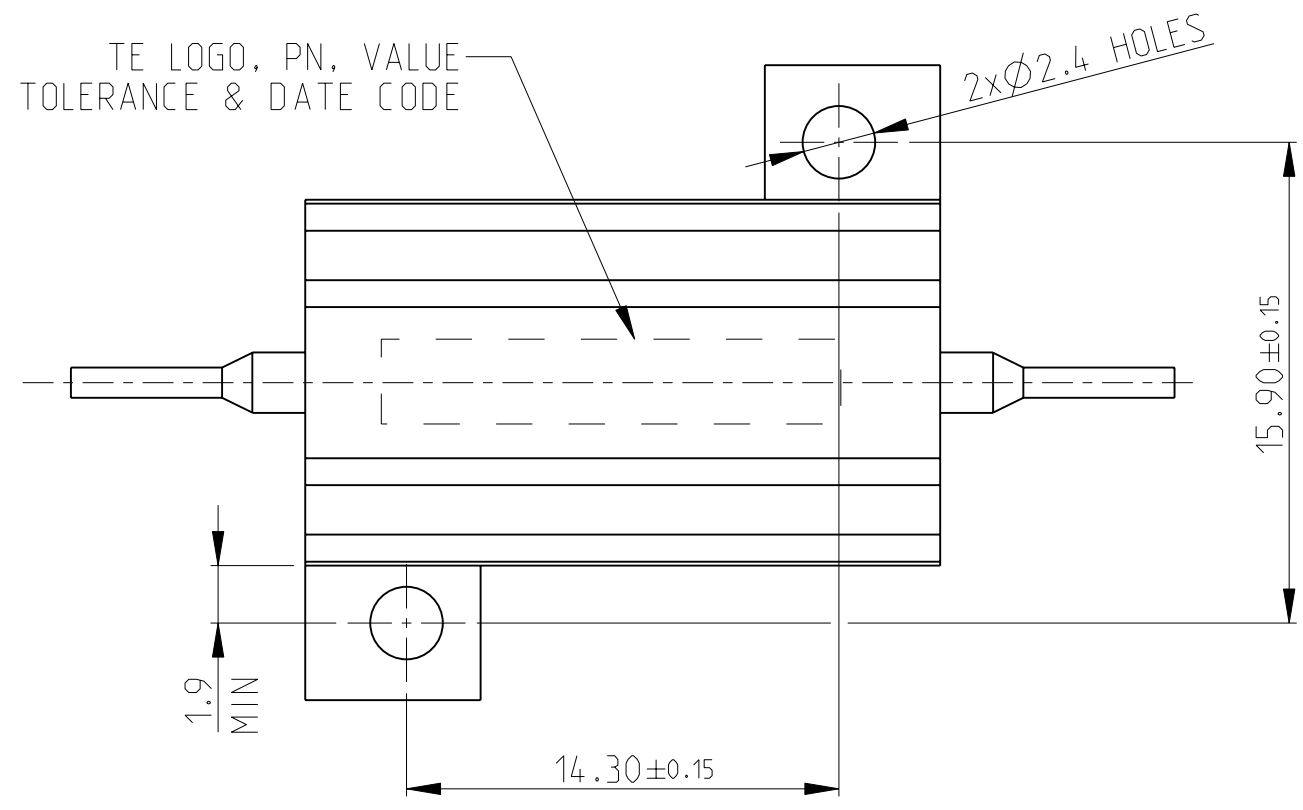


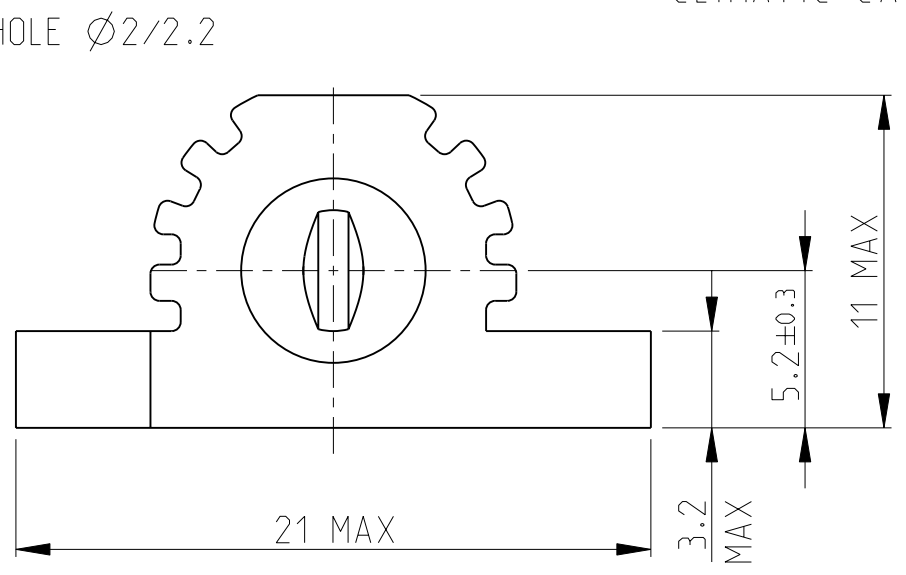
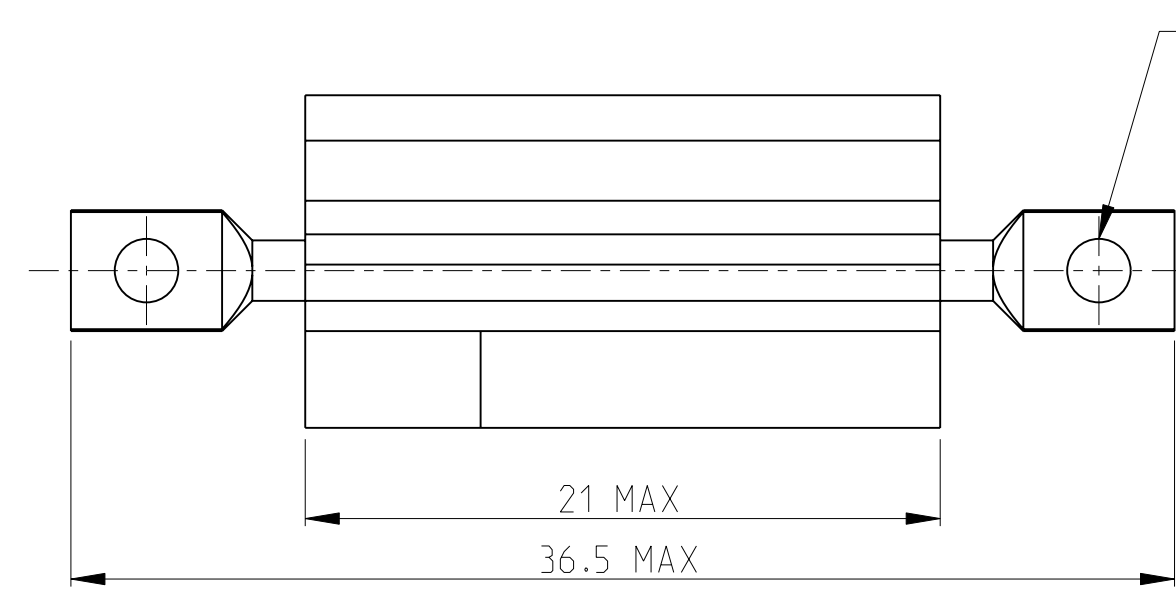
THIS DRAWING IS UNPUBLISHED. RELEASED FOR PUBLICATION JAN. 2005
 © COPYRIGHT 2005 BY TYCO ELECTRONICS CORPORATION. ALL RIGHTS RESERVED.

LOC	DIST	REVISIONS			
P	LTR	DESCRIPTION	DATE	DWN	APVD
E	B	C1	Released as per ECR-08-022292	4-Sep-08	SP JC

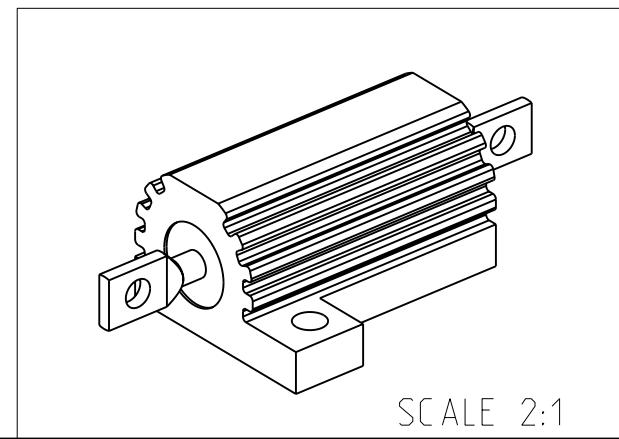


- 1 FOR FURTHER INFORMATION SEE DATA SHEET FOR HS SERIES-ALUMINIUM HOUSED RESISTORS
- 2 FOR A SPECIFIC PN FOR A RESISTANCE VALUE AND TOLERANCE, PLEASE REFER TO DMF
- 3 TECHNICAL SPECIFICATION

DISSIPATION AT 25°C : 16 WATTS MOUNTED ON STANDARD HEATSINK
 BS OHMIC RANGE : R051 TO 14K
 STABILITY : ΔR < =1% PER 1000Hrs
 ISOLATION VOLTAGE : 1400V DC/AC pk
 MAX WORKING VOLTAGE : 250V DC/AC rms
 TEMP COEFFICIENT : > 1R0 50ppm
 > 100R 25ppm
 CLIMATIC CATEGORY : 55/200/56



RoHS Compliant



THIS DRAWING IS A CONTROLLED DOCUMENT FOR TYCO ELECTRONICS CORPORATION IT IS SUBJECT TO CHANGE AND THE CONTROLLING ENGINEERING ORGANIZATION SHOULD BE CONTACTED FOR THE LATEST REVISION.		DWN	15.AUG.02	Tyco Electronics Corporation Dorcan, Swindon, SN3 5HH	
DIMENSIONS: mm		CHK	-	NAME HSA10 METAL CLAD RESISTOR	
TOLERANCES UNLESS OTHERWISE SPECIFIED: 0 PLC ±0.5 1 PLC ±0.2 2 PLC ±0.1 3 PLC ± 4 PLC ± ANGLES ±		APVD	-	PRODUCT SPEC	-
MATERIAL -		FINISH	-	APPLICATION SPEC	-
		WEIGHT	-	SIZE	A3
		CUSTOMER DRAWING		CAGE CODE	00779
				DRAWING NO	1625966
				RESTRICTED TO	-
				SCALE	4:1
				SHEET	1 OF 1
				REV	C1