

PRODUCT NUMBER	PITCH
HWxx00x200J0G	7.62 mm

Dimension

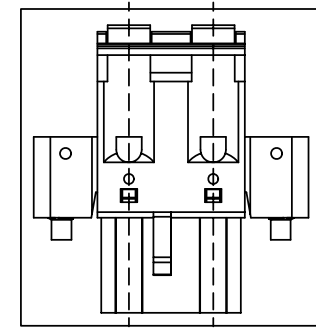
DIM L	(N-1)×7.62+5.7
DIM A	(N-1)×7.62+5.0
DIM B	(N-1)×7.62
DIM C	(N-1)×7.62+12.2
DIM D	(N-1)×7.62+17.22

N=Number of poles

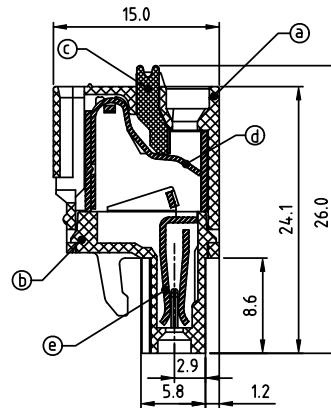
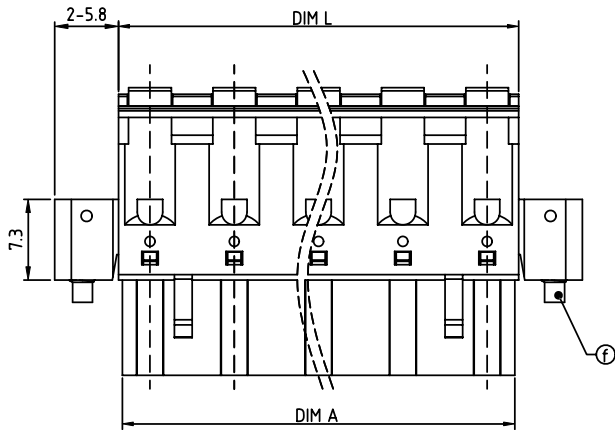
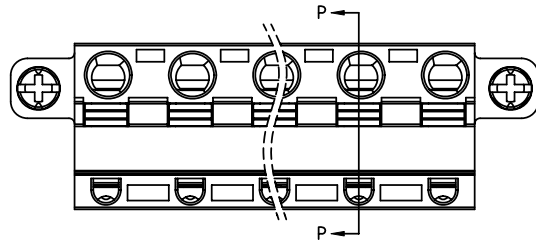
POLES	Tolerance
2p-6p	±0.15
7p-12p	±0.20
13p-16p	±0.30

PART NO.: HW xx 00 x 2 00JO G

Solid block	0	Color	RoHS compliant (lead<4%) In copper Alloy
No. of poles	2	Black (RAL9005)	
02 2 poles	3	Red (RAL3001/D)	
03 3 poles	4	Orange(RAL2011/P)	
...	5	Yellow(RAL1018/A)	
...	6	Green(RAL6018/T)	
16 16 poles	7	Blue (RAL5015/A)	
	8	Grey(RAL7035/D)	
	9	White(RAL1102)	
	C	Green(RAL6018/U)	



2P mark



SECTION P-P

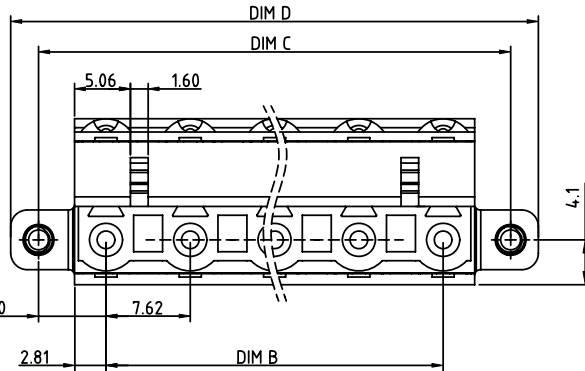
Material:

- Item a Top body:Thermoplastic ( UL94V-0 )
- Item b Bottom body:Thermoplastic ( UL94V-0 )
- Item c Terminal lever:Thermoplastic ( UL94V-0 ) Orange(RAL2011/P)
- Item d Spring clamp:Stainless Steel
- Item e Female contact:PhBz ( CuSn ) Tin plated
- Item f Flange screw:Steel Zinc plating M2.5 soft "+/-" combination type

Electrical

- Voltage rating: 300V
- Current rating: 10A
- Solid wire(AWG): 12-26
- Stranded wire(AWG): 12-26
- Wire strip length: 8-9mm
- Withstanding Voltage: 1.6KV
- Operating temperature: -40°C to +115°C
- Safety Approval: cULus

cULus



mat'l. code		surface ASME Y14.5	tolerance ASME Y14.5	projection	product family TERMINAL BLOCK
ltr	ecn no	dr	date	MM	title TERMINAL BLOCK SPRING CLAMP, PLUGGABLE PLUG, WITH FLANGE CONTACT ON DOWN SIDE
tolerances unless otherwise specified					
angles		X.±0.5		scale	dwg no HWxx00x200J0G
X°±1°		X.X±0.3			
dr		EVIN ZHONG	051614	FCI	sheet 1 of 1
enrg		EVIN ZHONG	051614		size A4
chr		HANKE FENG	051614		type CUSTOMER Drawing
appd		SHI JUN	051614		
sheet index	revision	A			
	sheet	1			