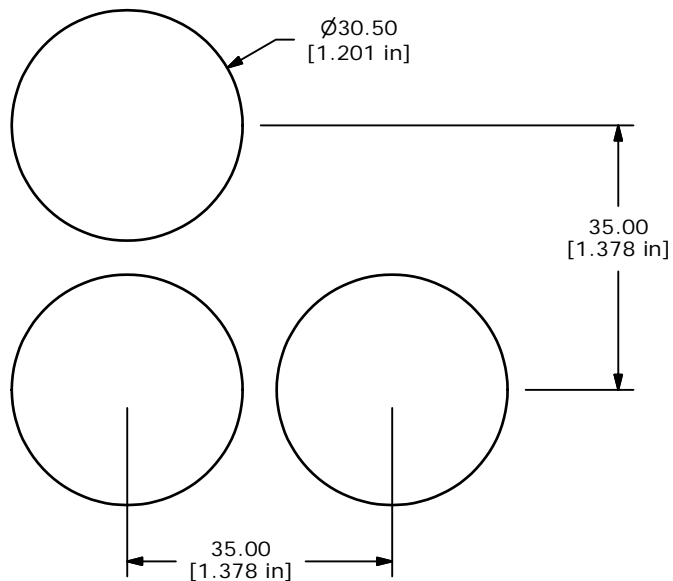
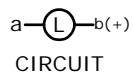


▲ Parts List

ITEM	QTY	PART NUMBER	DESCRIPTION
1	1	F060601	LAPPLU10
3	1	F051706	35MM FLUSH MOUNT BEZEL
4	1	F051707	35MM FLUSH MOUNT RETAINER
2	1	F060214	29MM RED LENS
5	1	F050423	LED 24VDC RED



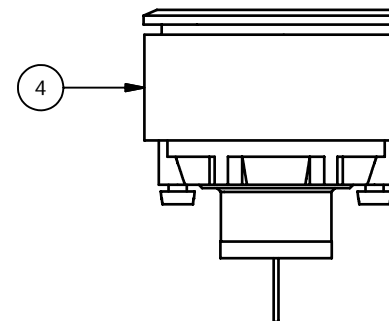
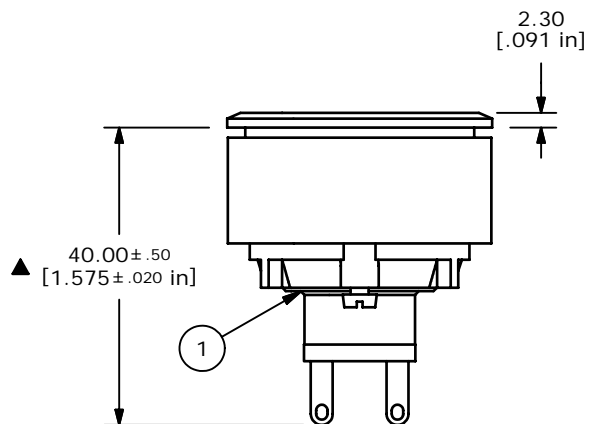
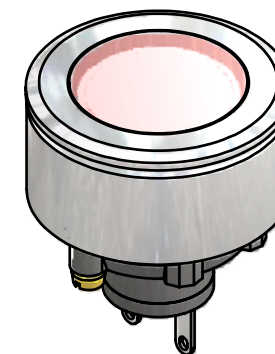
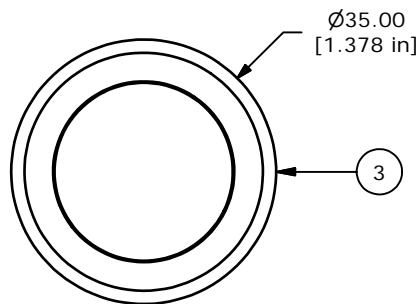
RECOMMEND PANEL MOUNTING



CIRCUIT

NOTES:

- ALL DIMENSIONS IN MM [INCH].
- GENERAL TOLERANCE: 0.0±0.4
0.00±0.25
- TERM. NOS. FOR REF. ONLY.
- RATING: 5A @250VAC
8A @125VAC
.2A @250VDC
6A @24VDC
- INSULATION: 1,000 M Ω MIN.
- DIELECTRIC STRENGTH: 2000V FOR 1 MIN.
- SEALED TO IP65.
- TRAVEL: 3.0MM FULL TRAVEL, 2.0MM LATCH
- ELECTRICAL LIFE: >50,000 CYCLES
- OPERATING TEMP: -25C TO +55C
- PANEL THICKNESS: 0.5MM TO 3.0MM
- LAMP VOLTAGE: LED, 24VDC, RED
- ▲ DENOTES CRITICAL PARAMETER.
- 2002/95/EC (ROHS) COMPLIANT



E-SWITCH[®]

TITLE LAPPLU30KREDRED

A	16827	RELEASED FOR PRODUCTION	1/10/07	TN
REV	PCR NO	DESCRIPTION	DATE	BY

THE INFORMATION CONTAINED IN THIS DOCUMENT IS PROPRIETARY TO E-SWITCH AND IS NOT TO BE COPIED OR TRANSFERRED

SCALE	DATE	DR	DWG	REV
1	1/10/2007	TN	XF0705P	A