

## Introduction

DESCRIPTION		KEY FEATURES
<p>The LX23224 is a four channel LED driver for LED backlight applications in LCD TVs and monitors. It integrates a DC/DC block with peak current mode control and four PWM controllers to drive four LED strings. The DC/DC control loop adjusts the boost voltage for maximum power efficiency.</p> <p>LED string short circuit or open circuit conditions are detected, flagged, and protected against.</p> <p>Internal linear regulators provide 12V and 5V rails to drive internal circuitry from <math>V_{IN}</math> voltage. Alternatively a 12V supply can be fed directly to the device.</p> <p>DC/DC switching frequency can be synchronized between multiple devices to prevent beat frequency interference.</p> <p>LX23224 supports Direct Digital PWM LED dimming.</p> <p>LX23224 is provided in 36 pin SSOP and 36 pin QFN packages.</p> <p><b>IMPORTANT:</b> For the most current data, consult <i>MICROSEMI</i>'s website: <a href="http://www.microsemi.com">http://www.microsemi.com</a></p>		<ul style="list-style-type: none"> <li>▪ EDGE-Lit LED Backlight Driver for LCD TVs and Monitor Displays</li> <li>▪ Direct Digital PWM LED Dimming Operation</li> <li>▪ Supports LED PWM Dimming Frequency up to 2kHz</li> <li>▪ 2% Precision Current Control of Four LED Strings (string to string)</li> <li>▪ 3% Precision Current Control (chip to chip)</li> <li>▪ Supports Four LED Strings with Control and Protection</li> <li>▪ LED String Currents are Completely User Programmable</li> <li>▪ 100kHz to 300kHz Constant Switching Frequency Power Conversion</li> <li>▪ Supports DC/DC Synchronization Across Multiple ICs</li> <li>▪ Open String and Over-Temperature Protection and Indication</li> <li>▪ LED String Short Circuit Protection and Indication</li> <li>▪ RoHS compliant</li> </ul>
PACKAGE ORDER INFO		THERMAL DATA
$T_A$ (°C) -40 to +85	LX23224IDB (Tube)	$\theta_{JA} = 70^\circ\text{C/W}$ 36 SSOP leaded package According to JESD51-7
	LX23224IDB-TR (Tape and Reel)	
	LX23224ILQ (Tube)	$\theta_{JA} = 32^\circ\text{C/W}$ 36 QFN package According to JESD51-7
	LX23224ILQ-TR (Tape and Reel)	

- RoHS Compliant / Pb-free

Junction Temperature Calculation:  $T_J = T_A + (P_D \times \theta_{JA})$ .  $\theta_{JA}$  levels are guidelines for the thermal performance of the device/pc-board system. All of the above assumes no ambient airflow.

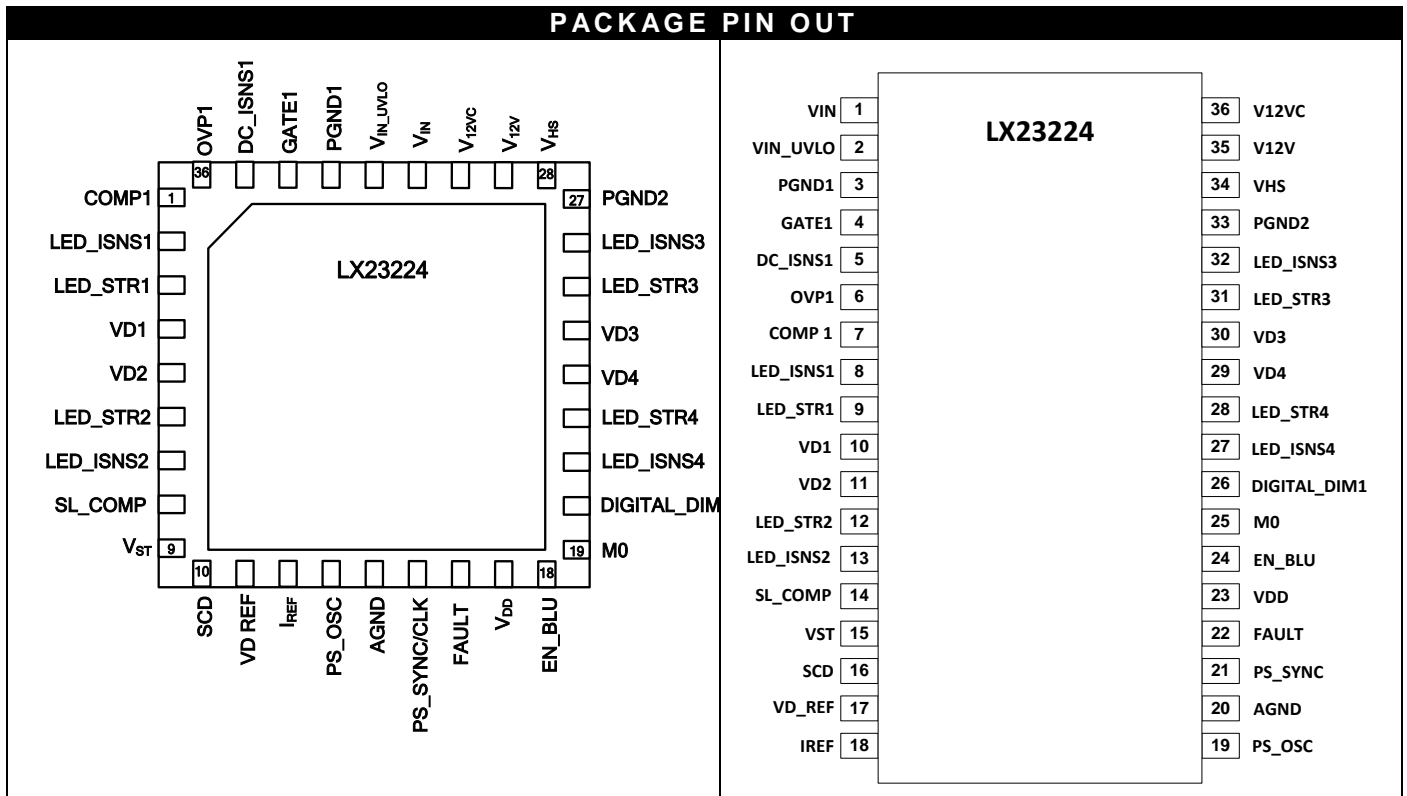
**PACKAGE PIN OUT**


Figure 1: LX23224ILQ QFN Package Pin Out

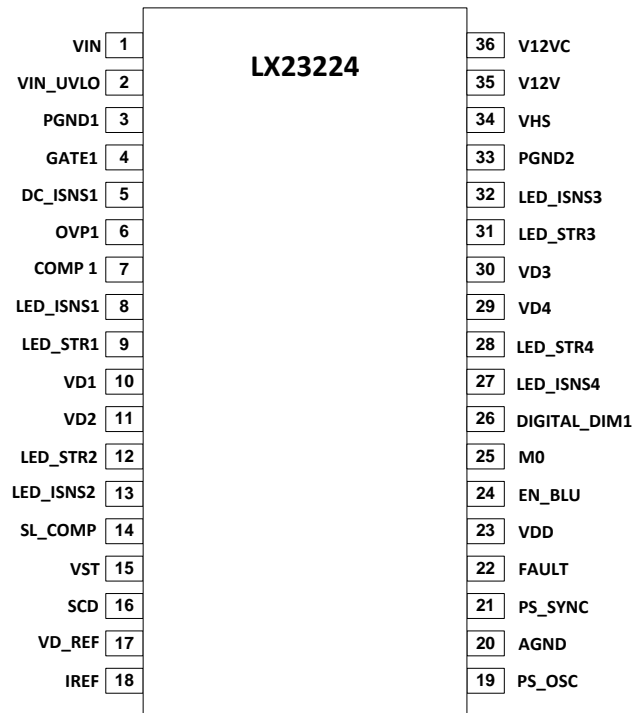


Figure 2: LX23224IDB SSOP Package Pin Out

**ABSOLUTE MAXIMUM RATINGS**

$V_{IN}$ Supply Input Voltage .....	-0.3V to 45V
$V_{12V}$ Supply Input Voltage .....	-0.3V to 15V
$V_{12VC}$ .....	$V_{12V} - 0.3V$ to $V_{12V} + 2V$
$V_{IO}$ Input Voltage .....	-0.3V to $V_{DD} + 0.3V$
Gate1, LED_STR1-LED_STR 4, VD1-VD4.....	-0.3V to $V_{12V} + 0.3V$
FAULT, LED ISNS 1-LED ISNS4 .....	-0.3V to +6V
Between any two grounds. ....	-0.3V to + 0.3V
Operating Ambient Temperature Range .....	-40 to 85°C
Maximum Operating Junction Temperature .....	150°C
HBM ESD Protection at all I/O pins .....	+/- 2.5 kV
CDM ESD Protection at all I/O pins.....	+/- 1.5kV
MM ESD Protection at all I/O pins .....	+/- 250V
Storage Temperature Range.....	-65°C to 150°C
Lead Temperature (Soldering 10 seconds).....	300°C
Package Peak Temperature for Solder Reflow (40 seconds maximum exposure) .....	260°C (+0, -5°C)

**Notes:** Exceeding these ratings could cause damage to the device. All voltages are with respect to Ground. Currents are positive into, negative out of specified terminal.

**RECOMMENDED OPERATING CONDITIONS**

$V_{IN}$ Supply Input Voltage .....	15 to 30V
$V_{12V}$ Supply Input Voltage when driven from an external supply .....	10 to 15V
Operating Ambient Temperature Range .....	-40 to 85°C
Minimum PWM pulse width .....	20µs
$R_{IREF}$ .....	30.1kΩ

## Electrical Specifications

### ELECTRICAL CHARACTERISTICS

Unless otherwise specified, the following specifications apply for operating ambient temperature  $-10^{\circ}\text{C} \leq T_{\text{amb}} \leq +85^{\circ}\text{C}$ .

### IC Supply Specifications

PARAMETER	SYMBOL	TEST CONDITIONS / COMMENT	LX23224			UNIT
			MIN	TYP	MAX	
<b>IC Supply (<math>V_{\text{IN}} = 24\text{V}</math>, Boost switches at 300kHz, <math>V_{12\text{VC}}</math> pin is shorted to <math>V_{12\text{V}}</math> pin)</b>						
Supply Voltage	$V_{\text{IN}}$	Input condition when $V_{\text{IN}}$ drives the 12V internal linear regulator	15	24	40	V
Input Supply Current	$I_{\text{IN}}$	$V_{\text{IN}} = 24\text{V}$ , LED PWM 50% duty at 2kHz, DC/DC switching at 300kHz, gate drivers loaded by 1000pF		23	30	mA
		LED dimming at 0%		5	8	
Sleep Current	$I_{\text{SLEEP}}$	EN_BLU = Logic low, $V_{\text{DD}}$ and $V_{12\text{V}}$ are active and available to drive external circuitry.		3	5	mA
<b>References and Supply Voltages (<math>I_{\text{REF}}</math>, <math>V_{12\text{VC}}</math>, <math>V_{12\text{V}}</math>, <math>V_{\text{DD}}</math>, <math>V_{\text{HS}}</math>)</b>						
$I_{\text{REF}}$ Output voltage	$V_{\text{REF}}$	Loaded with a 30.1k $\Omega$ resistor	1.181	1.201	1.222	V
12 V <sub>DC</sub> Input Voltage	$V_{12\text{V}}$	Input condition when using an external 12V supply to drive $V_{12\text{V}}$	10	12	15	V
12V Regulated Voltage Output	$V_{12\text{V}}$	$15\text{V} \leq V_{\text{IN}} \leq 30\text{V}$ , $0 \leq I \leq 50\text{mA}$ Pins $V_{12\text{V}}$ and $V_{12\text{VC}}$ are connected together	10.8	12	13.2	V
5V Regulated Voltage Output	$V_{\text{DD}}$	$10\text{V} \leq V_{12\text{V}} \leq 15\text{V}$ , $0 \leq I \leq 10\text{mA}$	4.75	5	5.25	V
$V_{12\text{VC}}$ Output Current	$I_{12\text{VC}}$	$V_{12\text{VC}}$ pin is shorted to $V_{12\text{V}}$ pin. Available for external use	2			mA
$V_{\text{DD}}$ Output Current	$I_{\text{VDD}}$	Available for external use	1			mA

**PRODUCTION DATASHEET**

PARAMETER	SYMBOL	TEST CONDITIONS / COMMENT	LX23224			UNIT
			MIN	TYP	MAX	
<b>LED Current Accuracy (20 mA &lt; ILED &lt; 350 mA @ 100% duty cycle, VSENSE = 350 mV)</b>						
LED Current Accuracy Chip to Chip		-10°C ≤ T <sub>amb</sub> ≤ +85°C			±3	%
		+50° C ≤ T <sub>amb</sub> ≤ +70°C			±2	%
<b>LED Current Matching (20 mA &lt; ILED &lt; 350 mA @ 100% duty cycle, VSENSE = 350 mV)</b>						
LED Current Matching String to String		-10°C ≤ T <sub>amb</sub> ≤ +85°C			±2	%
		+50° C ≤ T <sub>amb</sub> ≤ +70°C			±1	%
<b>LED NFET Driver (LED_ISNS1-4, LED_STR1-4)</b>						
LED Current Sense Accuracy	V <sub>SENSE</sub>	LED_ISNS voltage absolute accuracy	340	348	355	mV
Gate Drive Range	V <sub>GD_LED</sub>		0		V <sub>12V</sub>	V
<b>DC/DC oscillator (PS_SYNC/CLK)</b>						
PS reference voltage	V <sub>PS</sub>	Loaded with a 30.1kΩ resistor.	1.127	1.154	1.173	V
Upper oscillator frequency	f <sub>OSC_UPPER</sub>	R <sub>PS_OSC</sub> = 30.1kΩ DC/DC switching frequency is 1/2 of the oscillator frequency	0.54	0.6	0.66	MHz
Lower oscillator frequency	f <sub>OSC_LOWER</sub>	R <sub>PS_OSC</sub> = 90.9kΩ DC/DC switching frequency is 1/2 of the oscillator frequency	0.18	0.20	0.22	MHz
<b>DC/DC NFET Driver (GATE1)</b>						
DC/DC Maximum Duty Cycle	DC <sub>MAX</sub>			90		%
Pull up Resistance				9	18	Ω
Pull down Resistance				6	12	Ω
<b>DC/DC Current Sense section (DC_ISNS1)</b>						
Maximum Sense Input Voltage	V <sub>SENSE</sub>		180	200	220	mV
Leading Edge Blanking	t <sub>BLANK</sub>		75	100	125	ns
<b>Drain Voltage Sensing section (VD1, VD2, VD3, VD4)</b>						
VDMIN Accuracy		WRT VD_REF	-0.1	0	.1	V
VD bias Current		Bias for external blocking diode		90		μA
<b>LED short circuit detection level (SCD, VD1, VD2, VD3, VD4)</b>						
Differential SCD threshold	V <sub>SCD</sub>	Difference between VDmax and Vdmin, R <sub>SCD</sub> = 100kΩ,	7.6	8	8.4	V
Absolute SCD threshold		Measured WRT V12V		92		%
SCD bias current				0.6/R <sub>IREF</sub>		A
<b>V<sub>DMIN</sub> Reference (VD_REF)</b>						
V <sub>DREF</sub> Bias Current				0.6/R <sub>IREF</sub>		A
<b>Fast Start Threshold (VST)</b>						
VST Bias Current				0.6/R <sub>IREF</sub>		A

**PRODUCTION DATASHEET**

PARAMETER	SYMBOL	TEST CONDITIONS / COMMENT	LX23224			UNIT
			MIN	TYP	MAX	
<b>TTL INPUTS (EN_BLU, DIGITAL_DIM)</b>						
Input Logic High	V <sub>IH</sub>	Input Condition	2.0			V
Input Logic Low	V <sub>IL</sub>	Input Condition			0.8	V
Input High Current	I <sub>IH</sub>	V <sub>INH</sub> = 5V			10 (140 for EN_BLU)	μA
Input Low Current	I <sub>IL</sub>	V <sub>INL</sub> < 0.8V			5 (25 for EN_BLU)	μA
Input Hysteresis Voltage	V <sub>IHH</sub>			0.6		V
<b>CMOS I/O (PS_SYNC/CLK)</b>						
Input Logic Threshold	V <sub>TH</sub>			V <sub>DD</sub> *0.5		V
Output High Voltage	V <sub>OH</sub>	I = 5mA	V <sub>DD</sub> -0.5			V
Output Low Voltage	V <sub>OL</sub>	I = 5mA			0.5	V
<b>Over voltage protection (OVP1)</b>						
OVP threshold	V <sub>IN_OVPT</sub>		3.8	4	4.2	V
OVP Hysteresis	V <sub>IN_OVPH</sub>			0.6		V
<b>Under voltage protection (V<sub>IN_UVLO</sub>)</b>						
UVLO Threshold Level	V <sub>IN_UVLOT</sub>	Disable IC by holding POR low while under this level	3.85	4.0	4.2	V
UVLO Hysteresis	V <sub>IN_UVLOH</sub>	Hysteresis for programmable input (V <sub>IN</sub> ) UVLO threshold level		0.5		V

PARAMETER	SYMBOL	TEST CONDITIONS / COMMENT	LX23224			UNIT
			MIN	TYP	MAX	
<b>Open drain (FAULT)</b>						
Output Low Voltage	V <sub>OL_FAULT</sub>	I <sub>OL</sub> = 2mA			0.2	V
Leakage Current	I <sub>L_FAULT</sub>	V <sub>OUT</sub> = 5V			1	μA
Threshold Voltage			2.4	2.5	2.6	V
<b>Thermal Protection</b>						
Over Temperature Shutdown	T <sub>SHUT_OFF</sub>	Maximum temperature shutdown protection	160	175	195	°C
Over Temp Shutdown Hysteresis	T <sub>TOTSH</sub>			40		°C

**Note:** Thermal protection shuts down all DC/DC ports in auto restart mode; this mode is independent of the fault mode selection.

## Pin Description

### PIN DESCRIPTION

QFN Pin #	SSOP Pin #	Pin Name	Pin Type	Description
1	7	COMP1	Input	DC/DC1 loop compensation, R/C network to PGND1
2	8	LED_ISNS1	Input	LED String1 current sense, resistor to PGND1. $R_{sense} = 0.35V/I_{LED}$
3	9	LED_STR1	Output	LED string1 NFET gate control
4	10	VD1	Input	Connect to an isolating NFET or diode to sense String 1 NFET drain voltage.
5	11	VD2	Input	Connect to an isolating NFET or diode to sense String 2 NFET drain voltage.
6	12	LED_STR2	Output	LED String2 NFET gate drive.
7	13	LED_ISNS2	Input	LED String2 current sense, resistor to PGND1. $R_{sense} = 0.35V/I_{LED}$
8	14	SL_COMP	Input	DC/DC boost converter slope compensation, resistor to AGND. $R_{SL\_COMP} = 1.2V/(10 * m_a * 30pF)$
9	15	V <sub>ST</sub>	Input	DC/DC fast start threshold, resistor to AGND. Fast start stops when the OVP pin reaches V <sub>ST</sub> . $R_{VST} = V_{ST} * R_{IREF}/0.6V$
10	16	SCD	Input	LED short circuit threshold, resistor to AGND. $R_{SCD} = V_{SCD} * R_{IREF}/2.4V$
11	17	VD_REF	Input	V <sub>DMIN</sub> set point, resistor to AGND. $R_{VD\_REF} = V_{DMIN} * R_{IREF}/0.6V$
12	18	IREF	Input	Bias current setting, connect 30.1kΩ to AGND.
13	19	PS_OSC	Input	DC/DC frequency setting, resistor to AGND. $R_{PS\_OSC} = 9.7 * (1000/F_{DC/DC} - 0.231)$ R <sub>PS_OSC</sub> in kΩ and F <sub>DC/DC</sub> in kHz. Leave PS_OSC pin open to use an external clock.
14	20	AGND	Ground	Analog ground supply.
15	21	PS_SYNC/CLK	Input/Output	DC/DC clock output as a master of clock input as a slave.
16	22	FAULT	Output	Fault flag and hiccup timer, open drain, connect to an external R-C pull up network. Goes low to indicate a fault.
17	23	V <sub>DD</sub>	Power	5V volt supply for internal circuitry, 2.2uF capacitor to AGND to guarantee stability.
18	24	EN_BLU	Input	Back light enable. Turns on the DC/DC converters and LED string controllers.
19	25	M0	Input	Test-only pin. Leave open.
20	26	DIGITAL_DIM1	Input	Digital Dimming Input
21	27	LED_ISNS4	Input	LED String4 current sense, resistor to PGND2. $R_{sense} = 0.35V/I_{LED}$
22	28	LED_STR4	Output	LED String 4 NFET gate drive
23	29	VD4	Input	Connect to an isolating NFET or diode to sense String 4 NFET drain voltage.
24	30	VD3	Input	Connect to an isolating NFET or diode to sense String 3 NFET drain voltage.
25	31	LED_STR3	Output	LED String 3 NFET gate drive

**PRODUCTION DATASHEET**

26	32	LED_ISNS3	Input	LED String3 current sense, resistor to PGND2. $R_{sense} = 0.35V/I_{LED}$
27	33	PGND2	Ground	Power ground for LED strings 3 and 4
28	34	$V_{HS}$	Output	Bias for internal PFET gate drivers, bypass with 1 $\mu$ F capacitor connected between this pin and V12V
29	35	$V_{12V}$	Power	12V supply voltage, bypass with 4x2.2 $\mu$ F capacitors connected between this pin and GND plane
30	36	$V_{12VC}$	Output	Control output to drive an external transistor to generate V12V. Bypass with 1 $\mu$ F capacitor to AGND. If internal regulation is used, connect to $V_{12V}$ pin.
31	1	$V_{IN}$	Power	High voltage supply for the 12V regulator and housekeeping bias circuitry.
32	2	$V_{IN\_UVLO}$	Input	Monitors $V_{IN}$ through an external resistive voltage divider. If this function is not used connect to $V_{DD}$
33	3	PGND1	Ground	Power ground supply for DC/DC and strings 1 and 2.
34	4	GATE1	Output	DC/DC NFET gate control
35	5	DC_ISNS1	Input	DC/DC NFET current sense
36	6	OVP1	Input	DC/DC over voltage protection threshold, connect to resistor divider between $V_{boost}$ and PGND1.

## Functional Description

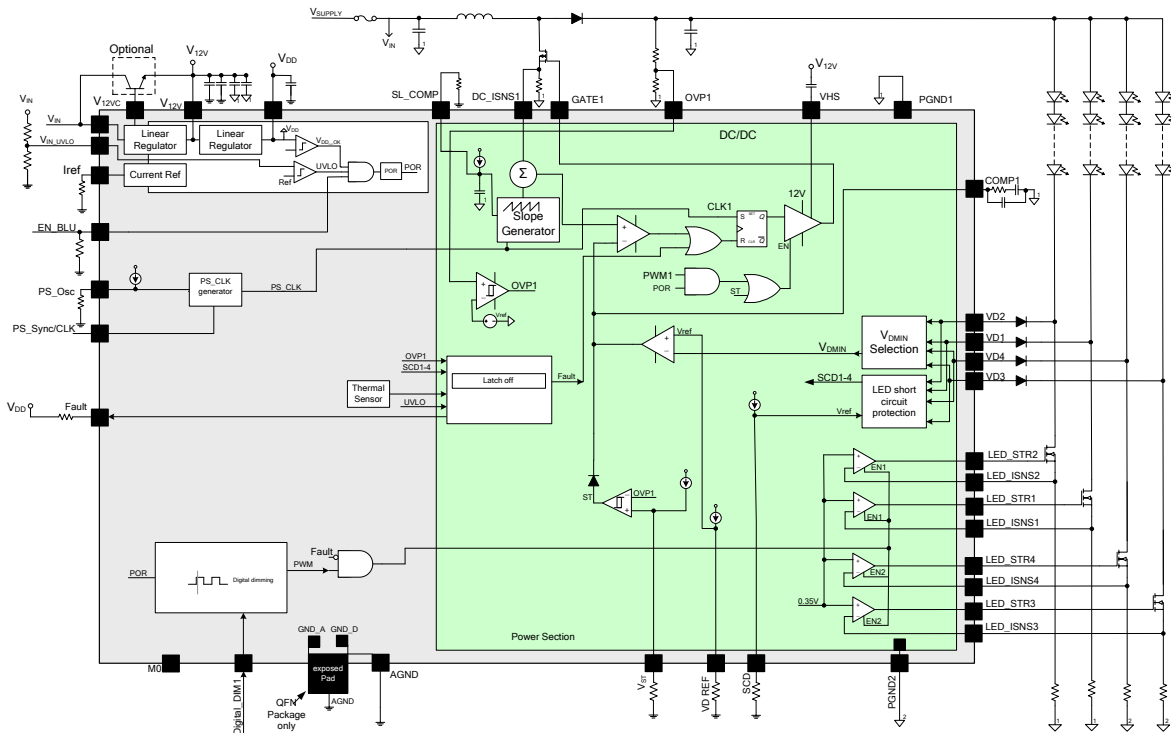


Figure 3: Functional Block Diagram

## Theory of Operation

LX23224 controls four LED strings for a D0 edge LED BL LCD TV application. All four LED strings share a dedicated DC/DC switch mode current programmed controller. Switching converter can operate in a boost topology with fixed switching frequency in a range of 100 kHz to 300 kHz.

## Start Up

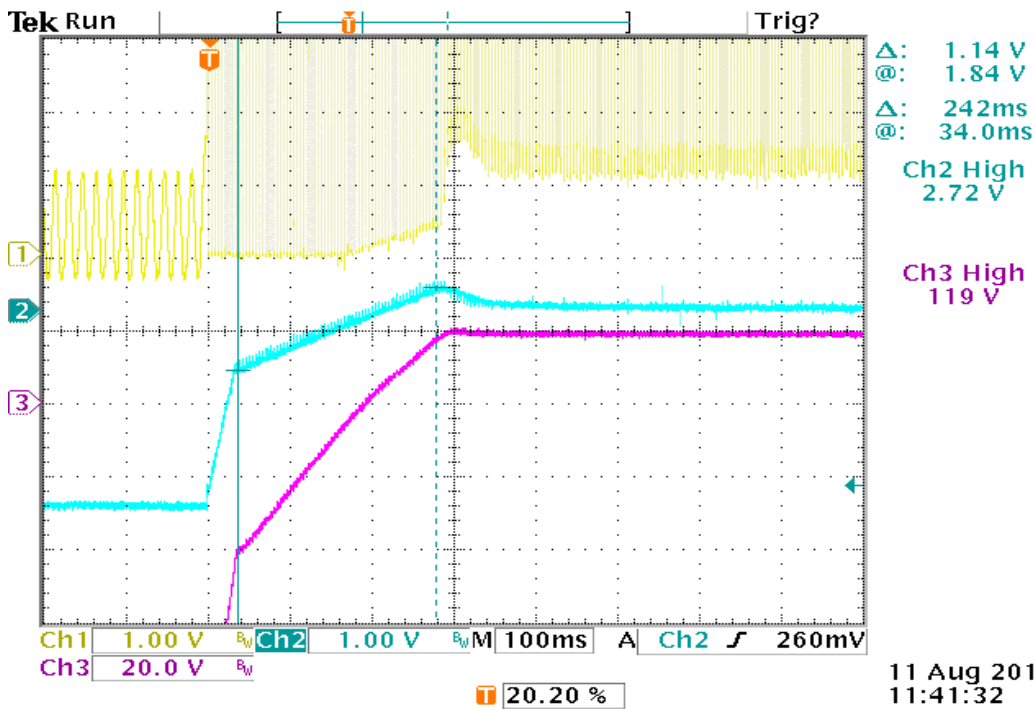
When  $V_{IN}$  is applied, the internal 12V and 5V linear regulators and the bias voltage and current generators turn on. When all the regulators and bias voltages have stabilized above their respective UVLO thresholds, the LX23224 is ready to drive the LED strings. When the  $V_{IN\_UVLO}$  and  $EN\_BLU$  rising thresholds are met, the LX23224 starts switching at the DC/DC converters.

When the OVP voltage is below the  $V_{ST}$  voltage, the DC/DC converter will be continuously enabled. This allows the boost or flyback voltage to charge up quickly with no dependency on the PWM duty cycle. Above the  $V_{ST}$  voltage, the DC/DC converter switches only when the PWM signal is asserted. The  $V_{ST}$  voltage should be selected so that it is as high as possible but always lower than the normal boost or flyback voltage range. This will give the quickest start up performance.

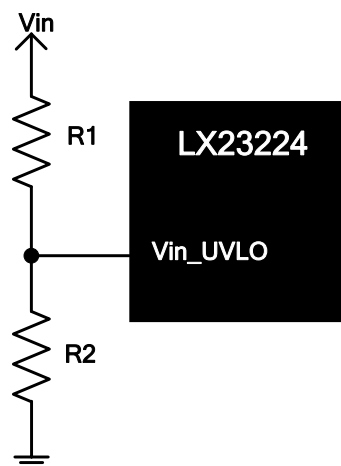


**PRODUCTION DATASHEET**

Here is a picture of the start up sequence at 10% PWM duty cycle. Channel 1 is the NFET drain voltage, channel 2 is the COMP1 voltage, and channel 3 shows the boost1 voltage.


**Input under Voltage Lock out Circuit ( $V_{IN\_UVLO}$ )**

Input UVLO prevents the LX23224 from starting up in case the  $V_{IN}$  input voltage is lower than a user defined threshold. Connect a voltage divider on the DC/DC input voltage and set it according to the minimal requested system operating input voltage.


**Figure 4:  $V_{IN\_UVLO}$  Connection Example**

## LED NFET Drain Voltage Measurements

The LX23224 regulates the DC/DC output voltage so that the lowest NFET drain voltage matches the target value as set by VD\_REF pin. This target voltage should be selected so that the LED MOSFETs remain in their saturated region. Keeping this voltage as low as possible maximizes the system's power efficiency.

The LED MOSFET drain voltages are monitored through blocking diodes or blocking NFETs to protect the LX23224 from excessive voltages. ~90 $\mu$ A is sourced from each of the VD1-4 pins to bias external blocking diodes. If a blocking diode is used, then the voltage at the VD1-4 pins will be one diode drop above the actual LED NFET drain voltage. This voltage drop can be compensated for by raising VD\_REF pin by a matching diode voltage drop.

A four input comparator determines which of the four drain voltage is lowest ( $V_{DMIN}$ ). That voltage is then routed to the DC/DC error amplifier. The DC/DC control loop works to keep  $V_{DMIN}$  equal to VD\_REF.

## Power/Thermal Conditions

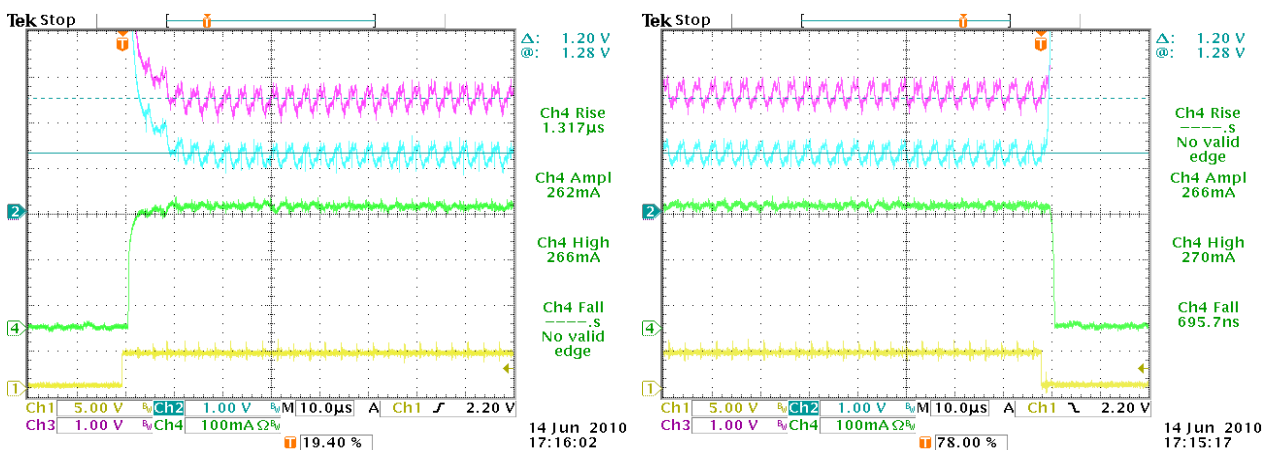
The maximum LED current depends on heat sink capabilities of the external LED's MOSFETs and the allowable temperature rise.

## LED string current control

The LED string NFET is controlled by the LED\_STR pin so that the voltage at the LED\_ISNS pin is 350mV when a string is enabled by the DIGITAL\_DIM input going high. At the rising edge of the PWM signal, the LED\_STR pin is quickly charged up to turn on the LED NFET. When the PWM signal is deasserted, the LED\_STR pin is quickly discharged to 0V.

When the LED string is turned on, the NFET drain voltage quickly drops from the boost voltage to around 1V. It can take up to 20 $\mu$ s for the drain voltage to stabilize. It also takes around 3 to 4 PS clock periods for the boost inductor to charge to its steady state value. For this reason, a 10 $\mu$ s blanking period is used at the leading edge of the PWM signal to keep the drain voltage control loop from being disturbed. For the same reason, it is recommended that the minimum PWM pulse be greater than 20 $\mu$ s.

Here are pictures showing the beginning and end of a digital PWM pulse. Channel 1 = DIGPWM, Channel 2 = Vdrain1, Channel 3 = Vdrain2, Channel 4 = LED String 2 current. These pictures show how the minimum drain voltage is regulated to about 1V. The ripple on the drain voltage is due to the ESR ripple from the boost power supply. The high impedance nature of the LED current source works to reject this voltage ripple from affecting the LED string current.



## DC/DC boost controller

The LX23224 DC/DC boost converters operate at a constant frequency with peak current control. The minimum output pulse width is 100nS. Once started, the output pulse will terminate immediately when any of the following events occur:

- The DC\_ISNS voltage crosses 200mV.
- The DC\_ISNS voltage plus the artificial slope compensation crosses the DC/DC comparator control voltage ( $V_c$ ).  $V_c$  is derived from the COMP pin via a level shift and a 5:1 attenuator.
- Maximum duty cycle has been reached. In boost mode, the maximum duty cycle is set to 90%.

## PS Switching Frequency Set (PS\_OSC)

DC/DC switching frequency and operation mode are set by a resistor at PS\_OSC pin. Frequency can be programmed from 100 kHz to 300 kHz.

$R_{osc}$	DC/DC FREQUENCY	IC MODE
$95.3k\Omega \geq R_{PS\_OSC} \geq 30.1k\Omega$	$100kHz \leq f_{OSC} \leq 300kHz$	Asynchronous or Master mode
open	Not applicable	Slave mode

**Note:** To disable DC/DC oscillator for synchronizing it with another LX23224 functioning as a "Master",  $R_{PS\_OSC}$  should be left open (see PS\_SYNC/CLK pin description).

## PS Clock Synchronization (PS\_SYNC/CLK)

PS\_SYNC/CLK input/output is used to synchronize DC/DC converters between two LX23224 drivers within a single system.

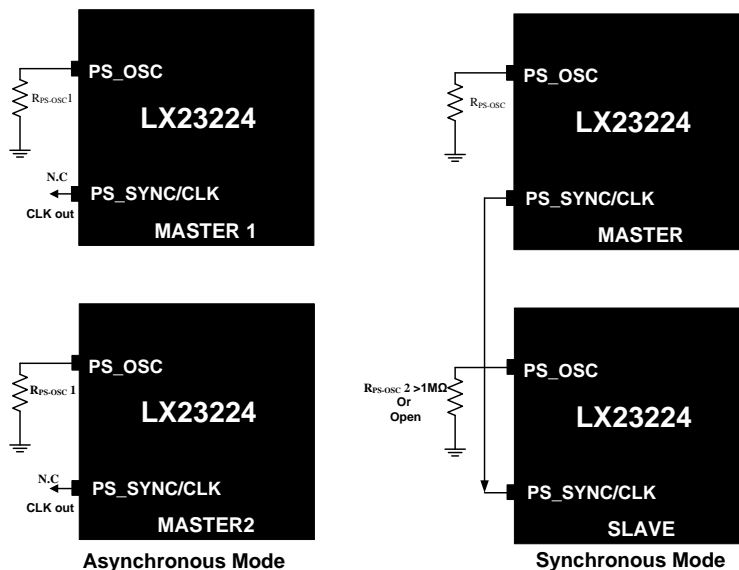
When using two LX23224s, DC/DCs can operate in asynchronous or synchronous modes

- Asynchronous mode – When utilizing two LX23224 LED drivers, each DC/DC works in an individual operating frequency.
- Synchronous mode – When utilizing two LX23224 LED drivers that work in the same frequency, one should be set as a master and the other one as a slave.

Master setup: PS\_OSC resistor set for the required frequency.

Slave setup: PS\_OSC resistor bigger than 1M $\Omega$  or not connected.

PS\_SYNC line should be connected between the two LED drivers.



**Figure 5: PS Asynchronous/synchronous Mode**

## DC/DC Start Up

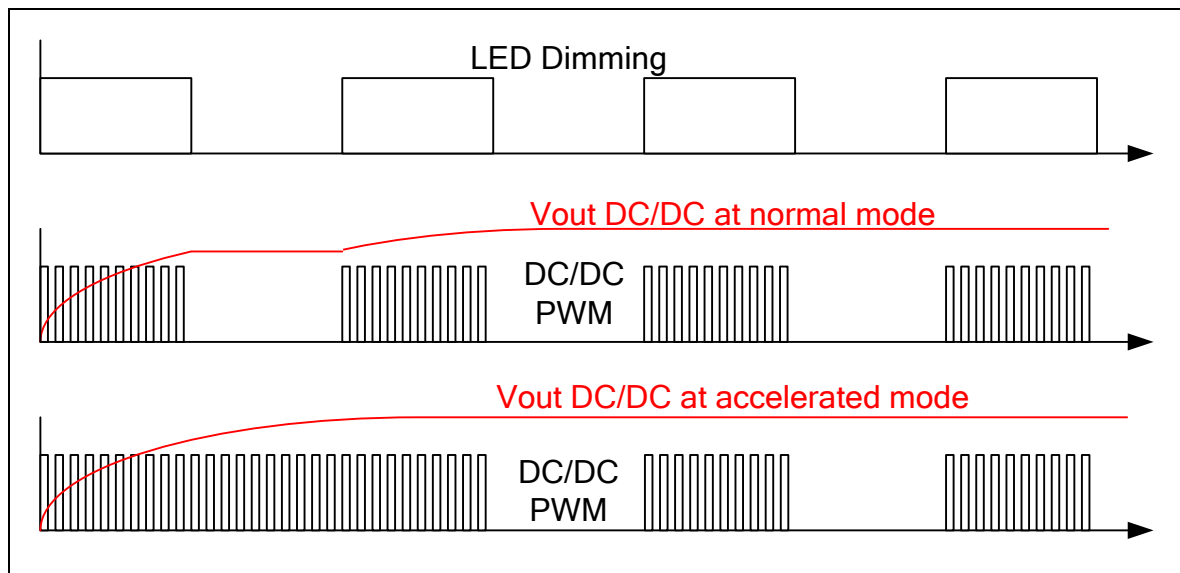
There are two start up modes: Normal (slow) and Accelerated.

In Normal (slow) mode, start up time is a function of LED BL Dimming frequency and duty cycle, since LED PWM modulates DC/DC ON time.

In Accelerated mode, DC/DC starts up in open loop and operates in this mode until DC/DC voltage reaches about 80% of LED voltage (user selected). This value is programmed by a resistor connected to  $V_{ST}$ . After reaching this threshold, start up continues in normal mode, whereas DC/DC ON is modulated with PWM.

If  $V_{ST}$  pin is connected to ground, DC/DC starts up in a normal mode.

Accelerated mode significantly reduces the startup time difference, especially when LED's dimming is working in low duty cycle.



**Figure 6: Normal/Accelerated Mode**

## Fault Events

LX23224 detects and protects against the following possible fault conditions:

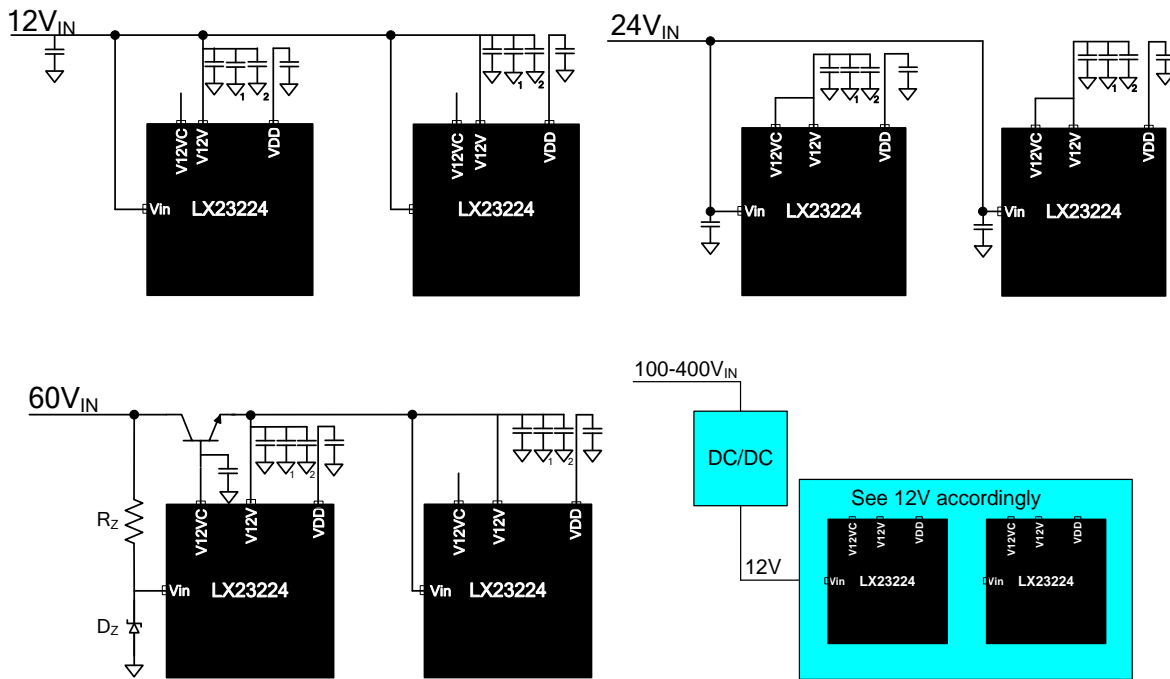
- Over Voltage Protection of DC/DC #1 (sampled on OVP1)
- LED Short Circuit of Channel #1 (sampled on VD1)
- LED Short Circuit of Channel #2 (sampled on VD2)
- LED Short Circuit of Channel #3 (sampled on VD3)
- LED Short Circuit of Channel #4 (sampled on VD4)
- Open LED of Channel #1 (Sampled on VD1)
- Open LED of Channel #2 (Sampled on VD2)
- Open LED of Channel #3 (Sampled on VD3)
- Open LED of Channel #4 (Sampled on VD4)
- $V_{in}$  under Voltage (Sampled on  $V_{IN\_UVLO}$ )
- IC Thermal Protection

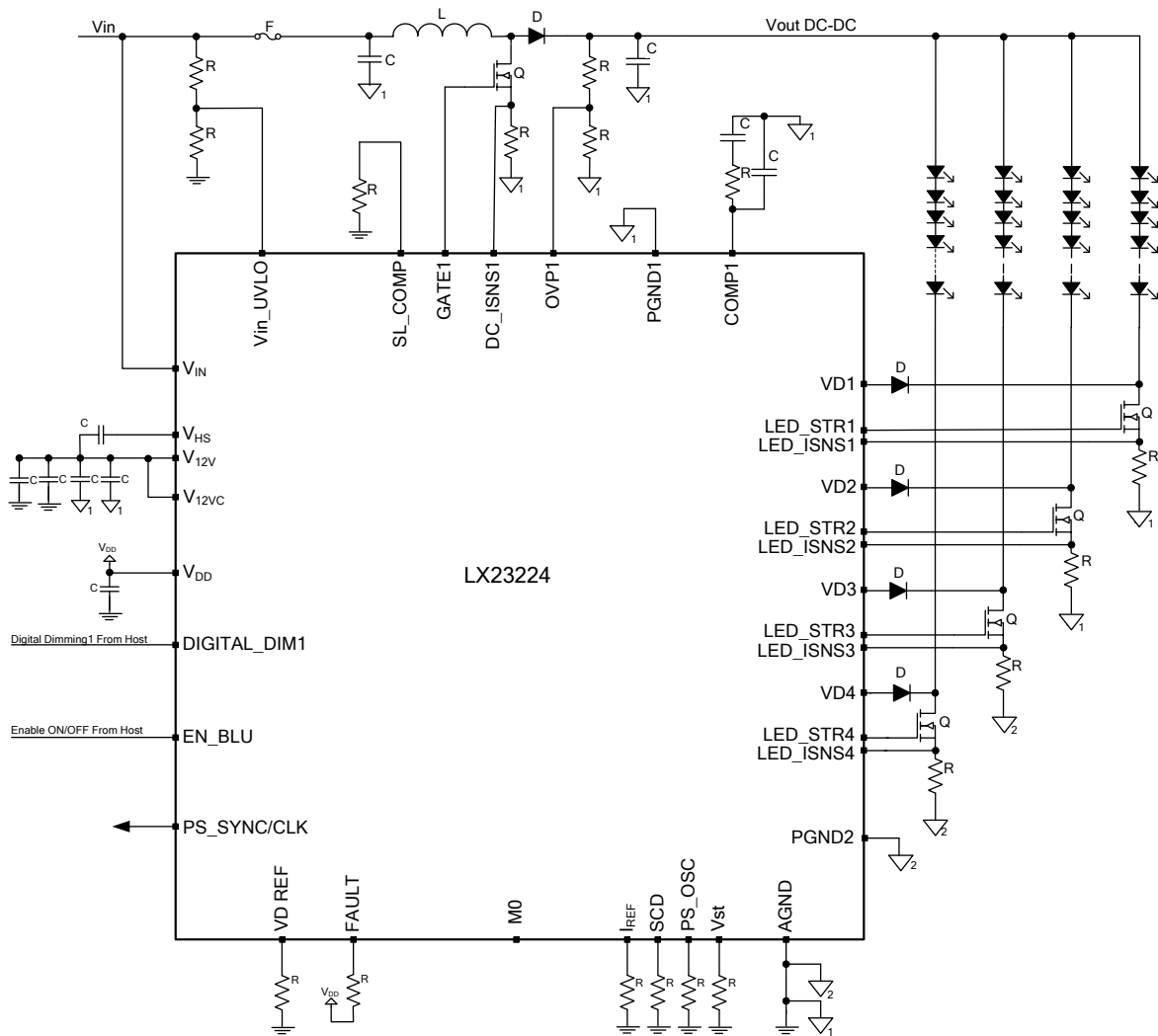
LED short circuit conditions are detected by monitoring LED MOSFET drain voltages. When the difference between MOSFET drain voltages for a LED string pair (VD1-VD2 or VD3-VD4) exceeds the level of four times the voltage at SCD pin, a short circuit event is declared.

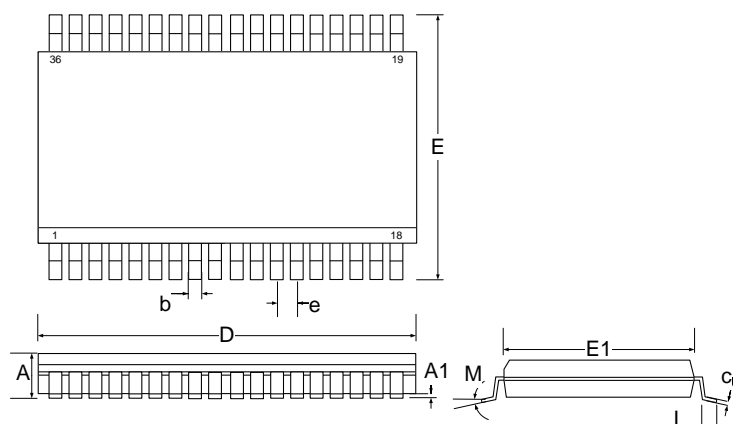
**PRODUCTION DATASHEET**

LED open circuit conditions are detected by a combination of OVP pin and VD pins. When a LED string is open the corresponding VD voltage changes to 0V. This causes the DC/DC loop to pump up the boost voltage. The high boost voltage will most likely cause the drain voltage of the non-open string to rise above short circuit detection level. This will cause a short circuit event to be declared. If both LED strings are open boost voltage will rise until it hits OVP protection threshold and an OVP event is declared.

Thermal and  $V_{IN\_UVLO}$  shutdown functions are an auto-restart mode. That means after IC temperature drops below thermal protection limit (see Electrical Characteristics table) or input voltage rises above UVLO protection threshold, the system automatically turns on, all others faults will latch off LED drivers and DC/DC. If IC temperature reaches thermal shutdown limit, the DC/DC shuts down and a fault signal is transmitted.

**Typical Powering Schemes**

**Figure 7: Powering Diagram**

**PRODUCTION DATASHEET**

**Figure 8: Typical Application Diagram**

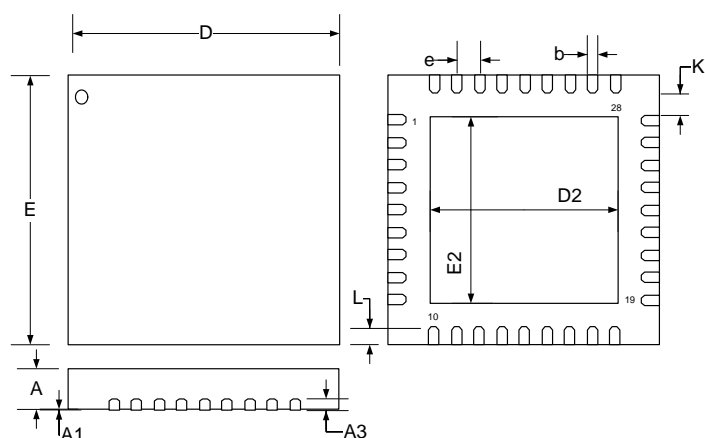
**PRODUCTION DATASHEET**
**PACKAGE DIAGRAM**
**DB**
**36-Pin Small Shrink Outline Package (SSOP)**


Dim	MILLIMETERS		INCHES	
	MIN	MAX	MIN	MAX
A	2.44	2.65	0.096	0.104
A1	0.10	0.30	0.004	0.012
b	0.25	0.51	0.010	0.020
c	0.20	0.33	0.009	0.013
D	15.20	15.60	0.598	0.614
E	10.05	10.55	0.396	0.415
E1	7.40	7.60	0.291	0.299
e	0.80 BSC		0.031 BSC	
L	0.40	1.27	0.016	0.050
M	0°	8°	0°	8°
*LC	—	0.10	—	0.004

\*Lead Coplanarity

**Note:**

- Dimensions do not include mold flash or protrusions; these shall not exceed 0.155mm(.006") on any side. Lead dimension shall not include solder coverage.

**LQ**
**36-Pin QFN 6x6mm**


Dim	MILLIMETERS		INCHES	
	MIN	MAX	MIN	MAX
A	0.80	1.00	0.031	0.039
A1	0.00	0.05	0	0.002
A3	0.20 REF		0.008 REF	
K	0.20 MIN		0.008 MIN	
e	0.50 BSC		0.02 BSC	
L	0.45	0.65	0.018	0.025
b	0.18	0.30	0.007	0.012
D2	4.00	4.25	0.157	0.167
E2	4.00	4.25	0.157	0.167
D	6.00 BSC		0.236 BSC	
E	6.00 BSC		0.236 BSC	

**Note:**

- Dimensions do not include protrusions; these shall not exceed 0.155mm (.006") on any side. Lead dimension shall not include solder coverage.



### PRODUCTION DATASHEET

The information contained in the document is PROPRIETARY AND CONFIDENTIAL information of Microsemi and cannot be copied, published, uploaded, posted, transmitted, distributed or disclosed or used without the express duly signed written consent of Microsemi. If the recipient of this document has entered into a disclosure agreement with Microsemi, then the terms of such Agreement will also apply. This document and the information contained herein may not be modified, by any person other than authorized personnel of Microsemi. No license under any patent, copyright, trade secret or other intellectual property right is granted to or conferred upon you by disclosure or delivery of the information, either expressly, by implication, inducement, estoppels or otherwise. Any license under such intellectual property rights must be approved by Microsemi in writing signed by an officer of Microsemi.

Microsemi reserves the right to change the configuration, functionality and performance of its products at anytime without any notice. This product has been subject to limited testing and should not be used in conjunction with life-support or other mission-critical equipment or applications. Microsemi assumes no liability whatsoever, and Microsemi disclaims any express or implied warranty, relating to sale and/or use of Microsemi products including liability or warranties relating to fitness for a particular purpose, merchantability, or infringement of any patent, copyright or other intellectual property right. The product is subject to other terms and conditions which can be located on the web at <http://www.microsemi.com/legal/tnc.asp>

WWW.Microsemi.COM

#### Revision History

Revision Level / Date	Para. Affected	Description
0.1 / Dec 2010		Preliminary Release
1.0 / July 2011		Release to Production
1.1 / July 2011		Adjust specs

© 2010 Microsemi Corp.

All rights reserved.

For support contact: [sales\\_AMSG@microsemi.com](mailto:sales_AMSG@microsemi.com)

Visit our web site at: [www.microsemi.com](http://www.microsemi.com)

Catalogue Number: DS\_LX23224

LX23224