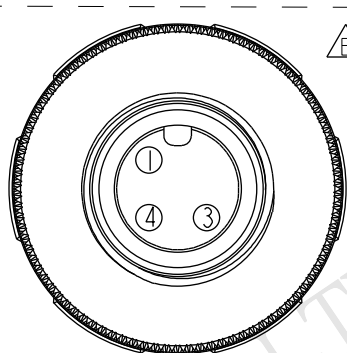
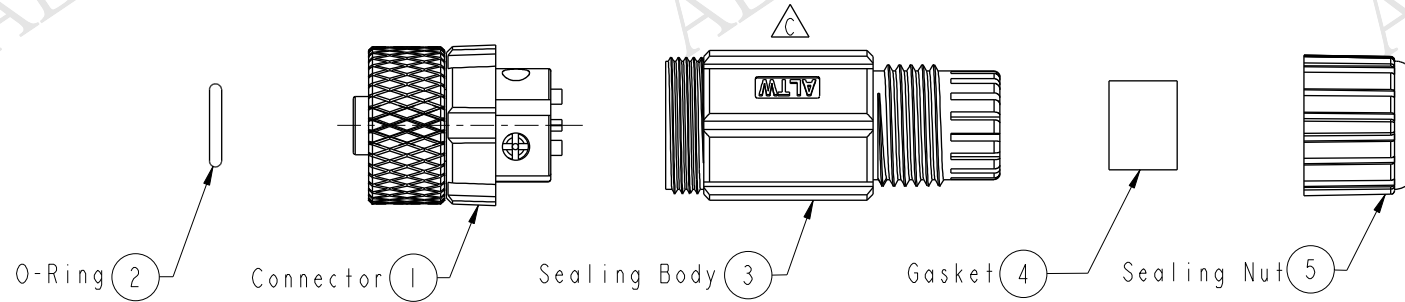
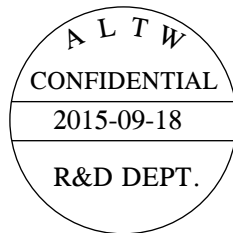
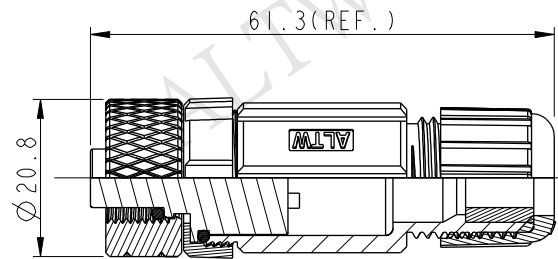
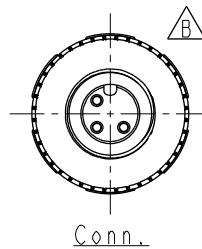




REV.	ECN NO.	DATE	SIGN	DESCRIPTION
B	LEN-890066	2008/08/12	Gao Ling	Change Connector Material
C	LEN15A0023	2015/09/18	Ruru	Change Logo



Pin Assignments
Front View



Note:

- * Waterproof Rate: IP67
- △* Connector: PPO V0150B, Black
- * Pin: Copper Alloy, Gold Plated
- * O-Ring 1: Viton, Green
- * O-Ring 2: EDPM, Black
- * Holder: Nylon+GF, Black
- * Clamp Ring: Nylon 66, Black
- * Gasket: EPDM, Black
- * Sealing Nut: Nylon 66, Black
- * Nut: Copper Alloy, Nickel Plated
- * Seals For Cable OD $\varnothing 4.5\text{mm} \sim \varnothing 6.0\text{mm}$
- * Temperature Range: $-40^{\circ}\text{C} \sim +85^{\circ}\text{C}$

UNIT:mm TOLERANCE .X ±0.25 .XX ±0.1 .XXX ±0.05 ANGLES ±1°	TITLE M12 Screw In Female Conn A-Code		Amphenol LTW 安費諾亮泰企業股份有限公司		ITEM NO 12-03BFFB-SL7001	DRAWN BY Ruru	DATE 2015-09-18
	SCALE 1:1	SIZE A4			SHEET 1 OF 1	DWG NO 12-03BFFB-SL7001	CHECKED BY Rita
	REV. C	WC-REV. A.4	QC: Inspection item	CUSTOMER ALTW	APPROVED BY Lion	DATE 2015-09-18	
							8 FMM10702-01-02A1

THIS DOCUMENT IS SUBJECT TO CHANGE WITHOUT NOTICE. IT IS CONFIDENTIAL AND A PROPERTY OF Amphenol LTW. DISCLOSURE TO THIRD PARTY HAS TO BE AUTHORIZED BY Amphenol LTW.