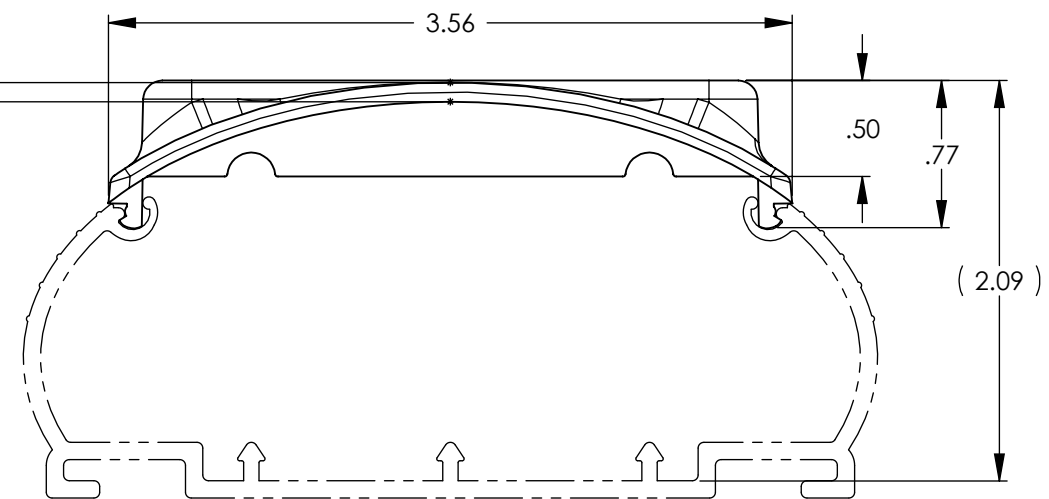


$\triangle 05$.10 WALL THICKNESS



PART NO. DESCRIPTION

COLOR: CONTACT FACTORY FOR AVAILABLE COLORS.

INVENTORS	HellermannTyton®			
	ALL PROPRIETARY RIGHTS IN THE SUBJECT MATTER SHOWN ON THIS DRAWING ARE EXCLUSIVE PROPERTY OF HELLERMANNTYTON			
	name	date	city,	state

NOTES

1) SNAPS ON TO INFOSTREAM RACEWAY; ACCEPTS DEVICE AND COVER OF STANDARD NEMA SIZE.

REVISION	level	$\triangle 05$
	by	AAC
	date	04/29/2008
	ECN #	011019
	part level	A

DIMENSIONS	.XXXX = ±.0005
	.XXX = ±.005
	.XX = ±.01
	.X = ±.03
	∠ = ±0.5°
	unless otherwise specified
units	inches

PART	number	MCR_-RDB	phase	Production
	name			
	MULTI-CHANNEL RACEWAY RAISED DEVICE BRACKET			
	material	$\triangle 05$ HIPS		

DRAWING	format	B	CAD	SW 2010	scale	1:1
	version N	computer file number		previous number		
	DT2013147CST_05					
	drawn	M.E.F.	checked	KAC	approved	
	04/09/2001	04/29/2008				
type	Customer	sheet 1 of 1				
number	DT2013147CST					