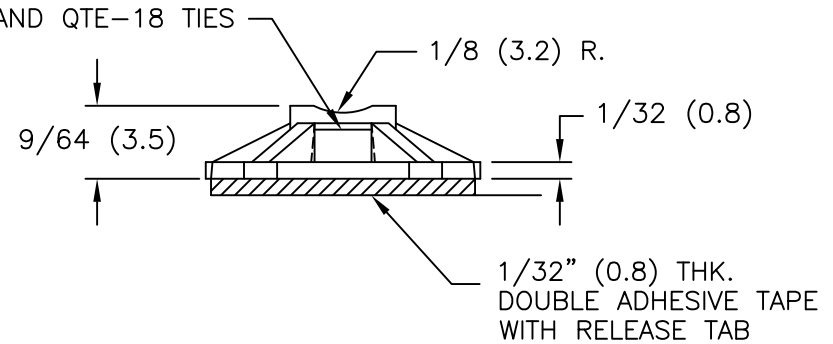
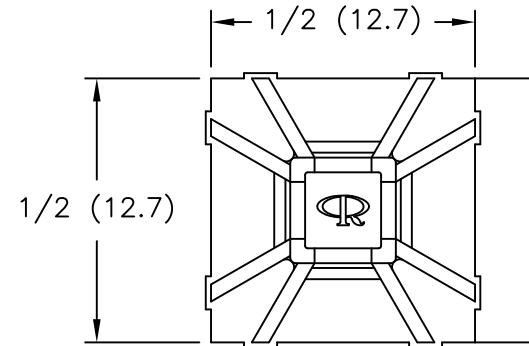


PART NO.	MATERIAL	COLOR	ADHESIVE
MFTH-2-01A-RT	NYLON 6/6 (RMS-01)	NATURAL	ACRYLIC TAPE (RMS-15), WHITE LINER
MFTH-2-01A1			RUBBER TAPE (RMS-102), BLUE LINER



NOTES:

1. NYLON 6/6 (RMS-01),
 COLOR: NATURAL, WITHOUT TAPE,
 AVAILABLE BY SPECIAL ORDER ONLY;
 TO ORDER USE P/N: MFTH-2-01.

FLAME RETARDANT NYLON (RMS-19),
 COLOR: NATURAL,
 ACRYLIC ADHESIVE TAPE (RMS-15), WHITE LINER,
 AVAILABLE BY SPECIAL ORDER ONLY;
 TO ORDER USE P/N MFTH-2-19A-RT
 OR MFTH-2-19 (WITHOUT TAPE).

UV STABILIZED NYLON 6/6 (RMS-46),
 COLOR: BLACK,
 ACRYLIC ADHESIVE TAPE (RMS-15), WHITE LINER,
 AVAILABLE BY SPECIAL ORDER ONLY;
 RUBBER ADHESIVE TAPE (RMS-102), BLUE LINER,
 AVAILABLE BY SPECIAL ORDER ONLY;

F			TITLE: MINI-FLAT TIE HOLDER			DWG IN IN (MM)		FINAL	
SEE CO 200773 FOR CHANGES			SK 04.30.12	FILE # MFTH-2	DWN: P.B.	APP:	PART #		PRINT TYPE
SEE ECN #1124 FOR CHANGES			SK 01.24.06	MAT'L: SEE TABLE	DT: 10-19-94	DT:	SEE TABLE		
ADDED RUBBER TAPE TO UV MAT'L NOTE			SM 12.13.01	RE: RICHCO, INC.	RICHCO INC. PO BOX 804238, CHICAGO, 60680 (773) 539-4060		CA		
COMPLETELY RE-DRAWN & CHANGED FILE#			SM 10.18.01						
RUBBER TAPE (RMS-102) ADDED			JL 8.22.00						
MAT'L AND CABLE TIE NOTES UPDATED			J.L. 01.10.00						
DESCRIPTION			ENGR DATE						