

# MX66U2G45G

1.8V, 2G-BIT [x 1/x 2/x 4]  
CMOS MXSMIO<sup>®</sup> (SERIAL MULTI I/O)  
FLASH MEMORY

## **Key Features**

- *Multi I/O Support - Single I/O, Dual I/O and Quad I/O*
- *Support DTR (Double Transfer Rate) Mode*
- *8/16/32/64 byte Wrap-Around Read Mode*

## Contents

|   |           |
|---|-----------|
| <b>1. FEATURES .....</b>  | <b>5</b>  |
| <b>2. GENERAL DESCRIPTION .....</b>   | <b>7</b>  |
| Table 1. Read performance Comparison .....                                      | 7         |
| <b>3. PIN CONFIGURATIONS .....</b>  | <b>8</b>  |
| Table 2. PIN DESCRIPTION .....  | 8         |
| <b>4. BLOCK DIAGRAM.....</b>  | <b>9</b>  |
| <b>5. MEMORY ORGANIZATION .....</b>   | <b>10</b> |
| <b>6. DATA PROTECTION.....</b>  | <b>11</b> |
| 6-1. Block lock protection .....  | 12        |
| Table 3. Protected Area Sizes .....   | 12        |
| 6-2. Additional 8K-bit secured OTP .....  | 13        |
| Table 4. 8K-bit Secured OTP Definition .....                                    | 13        |
| <b>7. DEVICE OPERATION .....</b>  | <b>14</b> |
| 7-1. 256Mb Address Protocol.....  | 16        |
| 7-2. Quad Peripheral Interface (QPI) Read Mode .....                            | 20        |
| <b>8. COMMAND SET .....</b>   | <b>21</b> |
| Table 5. Read/Write Array Commands .....  | 21        |
| Table 6. Read/Write Array Commands (4 Byte Address Command Set) .....           | 22        |
| Table 7. Register/Setting Commands.....   | 23        |
| Table 8. ID/Security Commands.....  | 24        |
| Table 9. Reset Commands .....   | 25        |
| <b>9. REGISTER DESCRIPTION.....</b>   | <b>26</b> |
| 9-1. Status Register .....  | 26        |
| 9-2. Configuration Register .....   | 27        |
| 9-3. Security Register .....  | 29        |
| Table 10. Security Register Definition .....                                    | 29        |
| <b>10. COMMAND DESCRIPTION.....</b>   | <b>30</b> |
| 10-1. Write Enable (WREN).....  | 30        |
| 10-2. Write Disable (WRDI).....   | 31        |
| 10-3. Read Identification (RDID).....   | 32        |
| 10-4. Release from Deep Power-down (RDP), Read Electronic Signature (RES) ..... | 33        |
| 10-5. Read Electronic Manufacturer ID & Device ID (REMS).....                   | 35        |
| 10-6. QPI ID Read (QPIID) .....   | 36        |
| Table 11. ID Definitions .....  | 36        |
| 10-7. Read Status Register (RDSR).....  | 37        |
| 10-8. Read Configuration Register (RDCR).....                                   | 38        |
| 10-9. Write Status Register (WRSR).....   | 41        |
| Table 12. Protection Modes.....   | 42        |
| 10-10. Enter 4-byte mode (EN4B) .....   | 45        |
| 10-11. Exit 4-byte mode (EX4B) .....  | 45        |
| 10-12. Read Data Bytes (READ) .....   | 46        |
| 10-13. Read Data Bytes at Higher Speed (FAST_READ) .....                        | 47        |

|  |            |
|--|------------|
| 10-14. Dual Output Read Mode (DREAD) .....                           | 48         |
| 10-15. 2 x I/O Read Mode (2READ) .....                               | 49         |
| 10-16. Quad Read Mode (QREAD) .....                                  | 50         |
| 10-17. 4 x I/O Read Mode (4READ) .....                               | 51         |
| 10-18. 4 x I/O Double Transfer Rate Read Mode (4DTRD) .....          | 53         |
| 10-19. Preamble Bit .....  | 55         |
| 10-20. 4 Byte Address Command Set.....                               | 59         |
| 10-21. Performance Enhance Mode .....                                | 64         |
| 10-22. Burst Read.....   | 69         |
| 10-23. Fast Boot .....   | 70         |
| 10-24. Sector Erase (SE).....  | 73         |
| 10-25. Block Erase (BE32K) .....                                     | 74         |
| 10-26. Block Erase (BE) .....  | 75         |
| 10-27. Chip Erase (CE).....  | 76         |
| 10-28. Page Program (PP) .....                                       | 77         |
| 10-29. 4 x I/O Page Program (4PP).....                               | 79         |
| 10-30. Deep Power-down (DP).....                                     | 80         |
| 10-31. Enter Secured OTP (ENSO).....                                 | 81         |
| 10-32. Exit Secured OTP (EXSO).....                                  | 81         |
| 10-33. Read Security Register (RDSCUR) .....                         | 81         |
| 10-34. Write Security Register (WRSCUR).....                         | 81         |
| 10-35. Write Protection Selection (WPSEL).....                       | 82         |
| 10-36. Advanced Sector Protection .....                              | 84         |
| 10-37. Program Suspend and Erase Suspend .....                       | 92         |
| Table 13. Acceptable Commands During Suspend.....                    | 93         |
| 10-38. Program Resume and Erase Resume .....                         | 94         |
| 10-39. No Operation (NOP) .....                                      | 95         |
| 10-40. Software Reset (Reset-Enable (RSTEN) and Reset (RST)) .....   | 95         |
| <b>11. Serial Flash Discoverable Parameter (SFDP).....</b>           | <b>97</b>  |
| 11-1. Read SFDP Mode (RDSFDP).....                                   | 97         |
| Table 14. Signature and Parameter Identification Data Values .....   | 98         |
| Table 15. Parameter Table (0): JEDEC Flash Parameter Tables .....    | 100        |
| Table 16. Parameter Table (1): 4-Byte Instruction Tables .....       | 107        |
| Table 17. Parameter Table (2): Macronix Flash Parameter Tables ..... | 109        |
| <b>12. RESET.....</b>  | <b>111</b> |
| Table 18. Reset Timing-(Power On).....                               | 111        |
| Table 19. Reset Timing-(Other Operation) .....                       | 111        |
| <b>13. POWER-ON STATE .....</b>                                      | <b>112</b> |
| <b>14. ELECTRICAL SPECIFICATIONS .....</b>                           | <b>113</b> |
| Table 20. ABSOLUTE MAXIMUM RATINGS .....                             | 113        |
| Table 21. CAPACITANCE TA = 25°C, f = 1.0 MHz.....                    | 113        |
| Table 22. DC CHARACTERISTICS .....                                   | 115        |
| Table 23. AC CHARACTERISTICS.....                                    | 116        |



---

|  |            |
|--|------------|
| <b>15. OPERATING CONDITIONS</b> .....              | <b>118</b> |
| Table 24. Power-Up/Down Voltage and Timing .....   | 120        |
| 15-1. INITIAL DELIVERY STATE .....                 | 120        |
| <b>16. ERASE AND PROGRAMMING PERFORMANCE</b> ..... | <b>121</b> |
| <b>17. DATA RETENTION</b> .....                    | <b>121</b> |
| <b>18. LATCH-UP CHARACTERISTICS</b> .....          | <b>121</b> |
| <b>19. ORDERING INFORMATION</b> .....              | <b>122</b> |
| <b>20. PART NAME DESCRIPTION</b> .....             | <b>123</b> |
| <b>21. PACKAGE INFORMATION</b> .....               | <b>124</b> |
| <b>22. REVISION HISTORY</b> .....                  | <b>125</b> |

## 1.8V 2G-BIT [x 1/x 2/x 4] CMOS MXSMIO® (SERIAL MULTI I/O) FLASH MEMORY

### 1. FEATURES

#### GENERAL

- Supports Serial Peripheral Interface -- Mode 0 and Mode 3
- Single Power Supply Operation
  - 1.65 to 2.0 volt for read, erase, and program operations
- Protocol Support
  - Single I/O, Dual I/O and Quad I/O
- Latch-up protected to 100mA from -1V to Vcc +1V
- Fast read for SPI mode
  - Support fast clock frequency up to 166MHz
  - Support Fast Read, 2READ, DREAD, 4READ, QREAD instructions
  - Support DTR (Double Transfer Rate) Mode
  - Configurable dummy cycle number for fast read operation
- Quad Peripheral Interface (QPI) available
- Equal Sectors with 4K byte each, or Equal Blocks with 32K byte each or Equal Blocks with 64K byte each
  - Any Block can be erased individually
- Programming :
  - 256byte page buffer
  - Quad Input/Output page program(4PP) to enhance program performance
- Typical 100,000 erase/program cycles
- 20 years data retention

#### SOFTWARE FEATURES

- Input Data Format
  - 1-byte Command code
- Advanced Security Features
  - Block lock protection
  - The BP0-BP3 and T/B status bits define the size of the area to be protected against program and erase instructions
  - Advanced sector protection function
- Additional 8K bit security OTP
  - Features unique identifier
  - Factory locked identifiable, and customer lockable
- Command Reset
- Program/Erase Suspend and Resume operation
- Electronic Identification
  - JEDEC 1-byte manufacturer ID and 2-byte device ID
  - RES command for 1-byte Device ID
  - REMS command for 1-byte manufacturer ID and 1-byte device ID
- Support Serial Flash Discoverable Parameters (SFDP) mode

## HARDWARE FEATURES

- SCLK Input
  - Serial clock input
- SI/SIO0
  - Serial Data Input or Serial Data Input/Output for 2 x I/O read mode and 4 x I/O read mode
- SO/SIO1
  - Serial Data Output or Serial Data Input/Output for 2 x I/O read mode and 4 x I/O read mode
- WP#/SIO2
  - Hardware write protection or serial data Input/Output for 4 x I/O read mode
- NC/SIO3
  - No Connection or Serial input & Output for 4 x I/O read mode
- RESET#
  - Hardware Reset pin
- PACKAGE
  - 24-Ball BGA (5x5 ball array)
  - **All devices are RoHS Compliant and Halogen-free**

## 2. GENERAL DESCRIPTION

MX66U2G45G is 2Gb bits Serial NOR Flash memory, which is configured as 268,435,456 x 8 internally. When it is in two or four I/O mode, the structure becomes 1,073,741,824 bits x 2 or 536,870,912 bits x 4. MX66U2G45G features a serial peripheral interface and software protocol allowing operation on a simple 3-wire bus while it is in single I/O mode. The three bus signals are a clock input (SCLK), a serial data input (SI), and a serial data output (SO). Serial access to the device is enabled by CS# input.

When it is in two I/O read mode, the SI pin and SO pin become SIO0 pin and SIO1 pin for address/dummy bits input and data output. When it is in four I/O read mode, the SI, SO, WP# and NC pins become SIO0, SIO1, SIO2 and SIO3 pins for address/dummy bits input and data output.

The MX66U2G45G MXSMIO® (Serial Multi I/O) provides sequential read operation on the whole chip.

After program/erase command is issued, auto program/erase algorithms which program/erase and verify the specified page or sector/block locations will be executed. Program command is executed on byte basis, or page (256 bytes) basis, or word basis. Erase command is executed on 4K-byte sector, 32K-byte block, or 64K-byte block, or whole chip basis.

To provide user with ease of interface, a status register is included to indicate the status of the chip. The status read command can be issued to detect completion status of a program or erase operation via WIP bit.

Advanced security features enhance the protection and security functions, please see security features section for more details.

When the device is not in operation and CS# is high, it is put in standby mode.

The MX66U2G45G utilizes Macronix's proprietary memory cell, which reliably stores memory contents even after 100,000 program and erase cycles.

**Table 1. Read performance Comparison**

| Numbers of Dummy Cycles | Fast Read (MHz) | Dual Output Fast Read (MHz) | Quad Output Fast Read (MHz) | Dual IO Fast Read (MHz) | Quad IO Fast Read (MHz) | Quad I/O DT Read (MHz) |
|-------------------------|-----------------|-----------------------------|-----------------------------|-------------------------|-------------------------|------------------------|
| 4                       | -               | -                           | -                           | 84*                     | 70                      | 42                     |
| 6                       | 133             | 133                         | 104                         | 104                     | 84*                     | 52*                    |
| 8                       | 133*            | 133*                        | 133*                        | 133                     | 104                     | 66                     |
| 10                      | 166             | 166                         | 166                         | 166                     | 133                     | 102                    |

**Note:** \* mean default status

### 3. PIN CONFIGURATIONS

#### 24-Ball BGA (5x5 ball array)

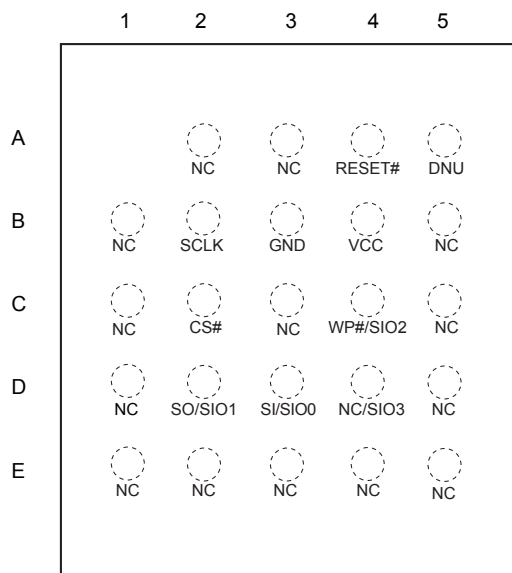


Table 2. PIN DESCRIPTION

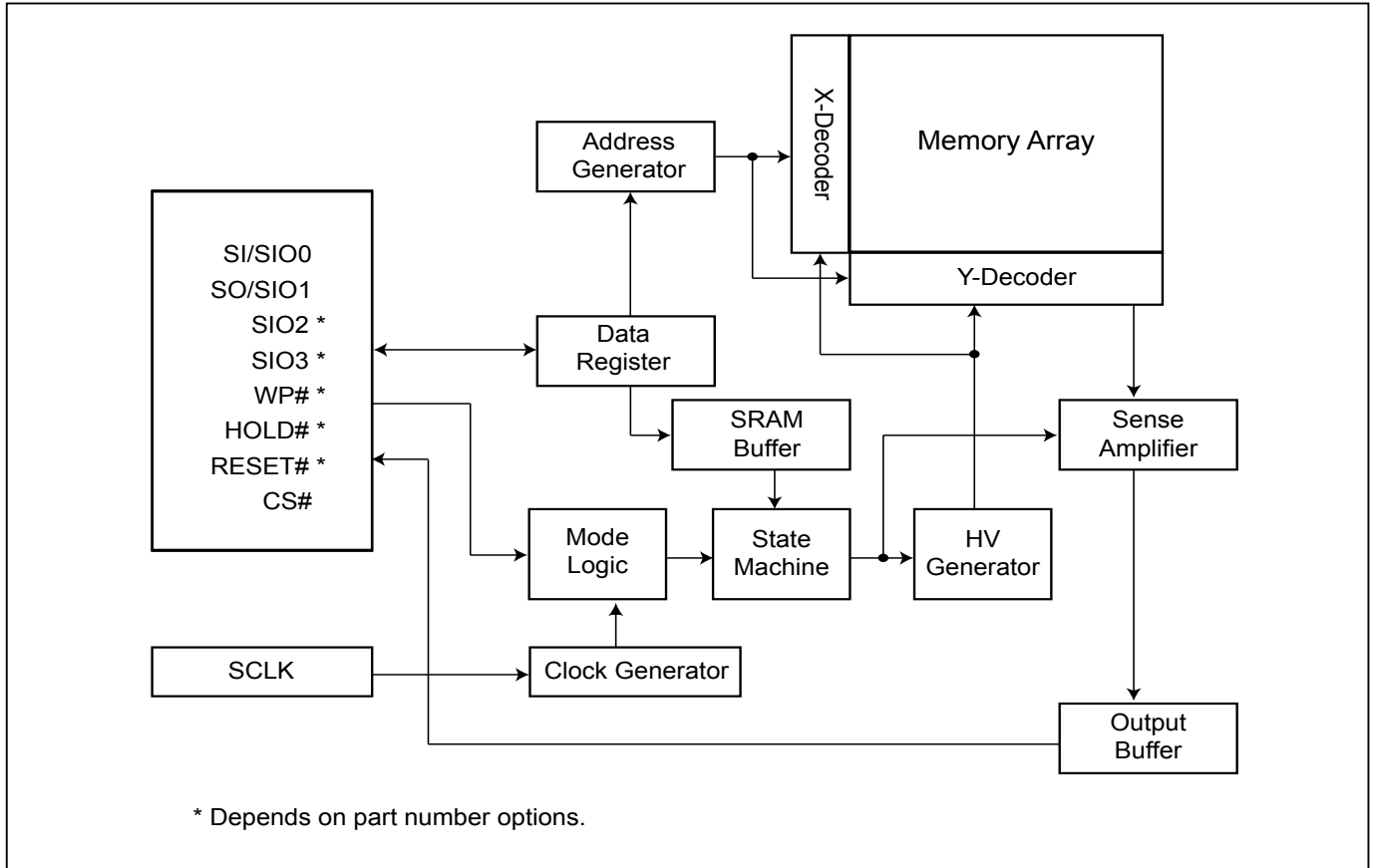
| SYMBOL   | DESCRIPTION   |
|----------|---|
| CS#      | Chip Select   |
| SCLK     | Clock Input   |
| RESET#   | Hardware Reset Pin Active low <sup>(Note1)</sup>  |
| SI/SIO0  | Serial Data Input (for 1 x I/O)/ Serial Data Input & Output (for 2xI/O or 4xI/O read mode)  |
| SO/SIO1  | Serial Data Output (for 1 x I/O)/ Serial Data Input & Output (for 2xI/O or 4xI/O read mode) |
| WP#/SIO2 | Write Protection Active Low or Serial Data Input & Output (for 4xI/O read mode)             |
| NC/SIO3  | No Connection or Serial Data Input & Output (for 4xI/O read mode)                           |
| VCC      | Power Supply  |
| GND      | Ground  |
| NC       | No Connection   |
| DNU      | Do Not Use (It may connect to internal signal inside)                                       |

**Note:**

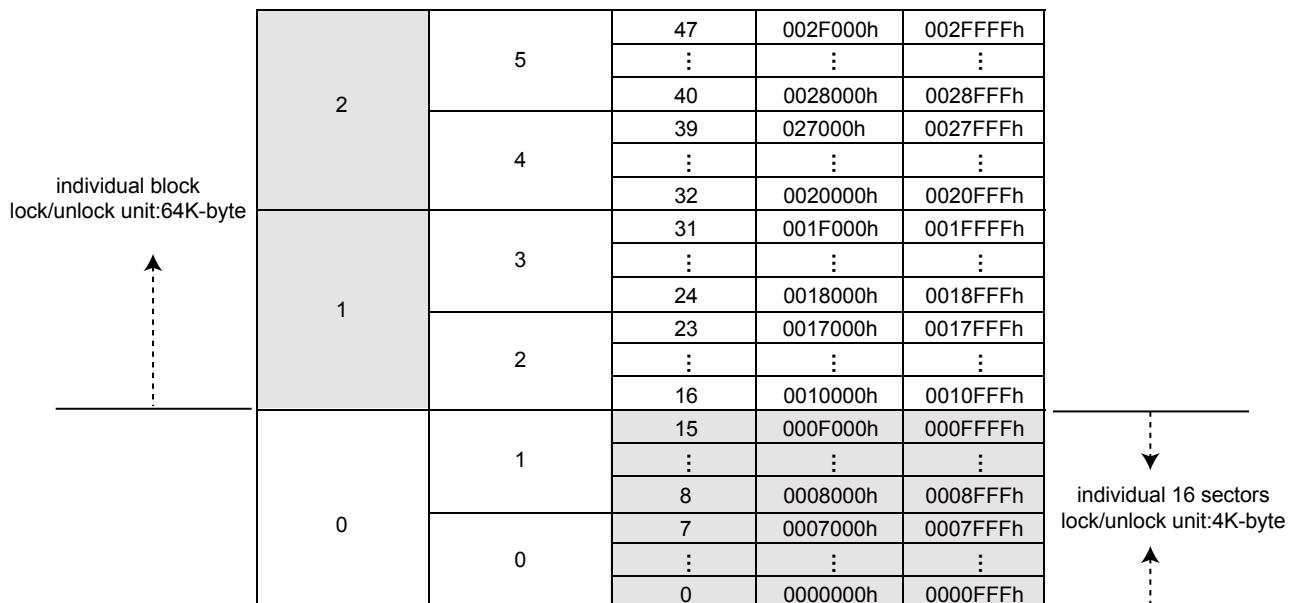
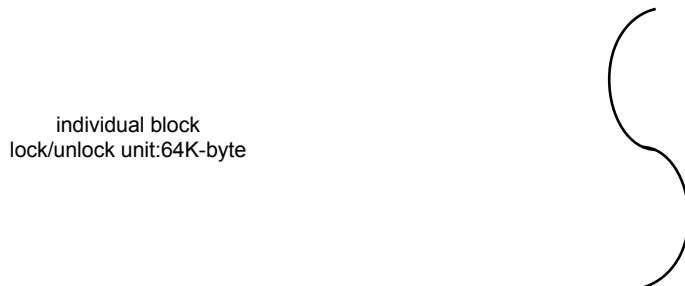
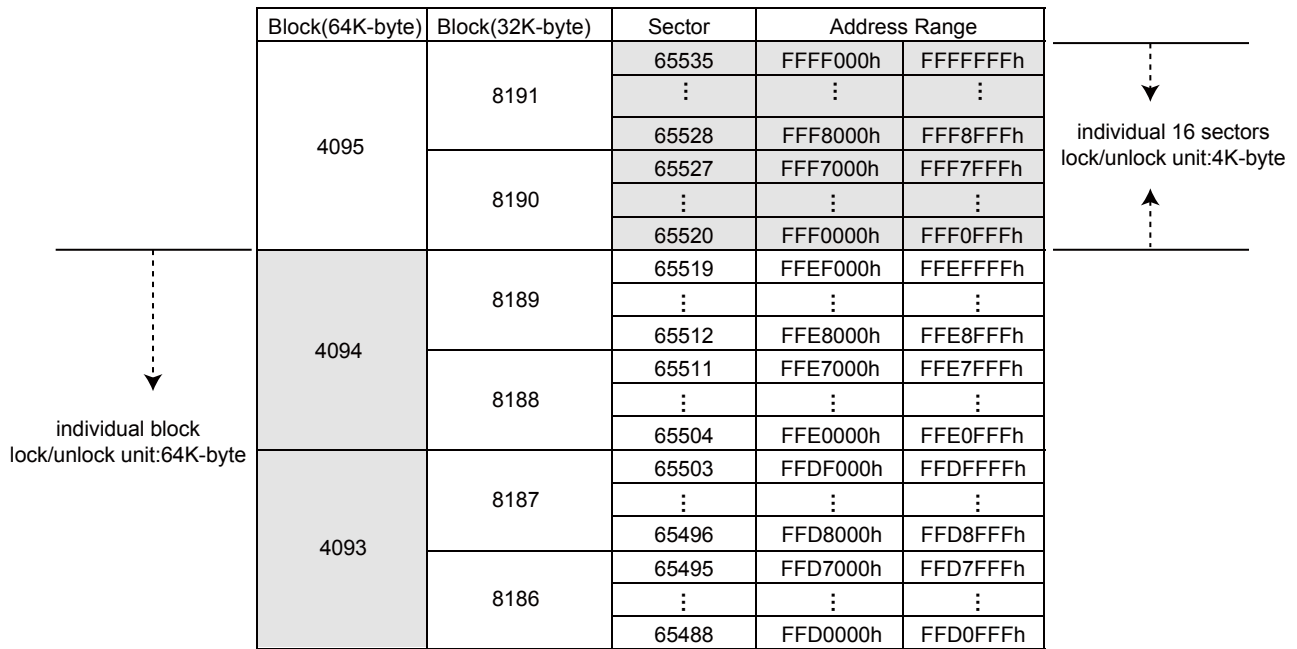
- The pin of RESET# or WP#/SIO2 will remain internal pull up function while this pin is not physically connected in system configuration. However, the internal pull up function will be disabled if the system has physical connection to RESET# or WP#/SIO2 pin.



**4. BLOCK DIAGRAM**



**5. MEMORY ORGANIZATION**



## 6. DATA PROTECTION

During power transition, there may be some false system level signals which result in inadvertent erasure or programming. The device is designed to protect itself from these accidental write cycles.

The state machine will be reset as standby mode automatically during power up. In addition, the control register architecture of the device constrains that the memory contents can only be changed after specific command sequences have completed successfully.

In the following, there are several features to protect the system from the accidental write cycles during VCC power-up and power-down or from system noise.

- Valid command length checking: The command length will be checked whether it is at byte base and completed on byte boundary.
- Write Enable (WREN) command: WREN command is required to set the Write Enable Latch bit (WEL) before other command to change data.
- Deep Power Down Mode: By entering deep power down mode, the flash device also is under protected from writing all commands except Release from deep power down mode command (RDP) and Read Electronic Signature command (RES), Erase/Program suspend command, Erase/Program resume command and softreset command.
- Advanced Security Features: there are some protection and security features which protect content from inadvertent write and hostile access.

### 6-1. Block lock protection

- The Software Protected Mode (SPM) use (BP3, BP2, BP1, BP0 and T/B) bits to allow part of memory to be protected as read only. The protected area definition is shown as "Table 3. Protected Area Sizes", the protected areas are more flexible which may protect various area by setting value of BP0-BP3 bits.
- The Hardware Protected Mode (HPM) use WP#/SIO2 to protect the (BP3, BP2, BP1, BP0) bits and Status Register Write Protect bit.
- In four I/O and QPI mode, the feature of HPM will be disabled.

**Table 3. Protected Area Sizes**

#### Protected Area Sizes (T/B bit = 0)

| Status bit |     |     |     | Protect Level                                   |
|------------|-----|-----|-----|---|
| BP3        | BP2 | BP1 | BP0 | 2Gb   |
| 0          | 0   | 0   | 0   | 0 (none)  |
| 0          | 0   | 0   | 1   | 1 (1 block, protected block 4095th)             |
| 0          | 0   | 1   | 0   | 2 (2 blocks, protected block 4094th-4095th)     |
| 0          | 0   | 1   | 1   | 3 (4 blocks, protected block 4092nd-4095th)     |
| 0          | 1   | 0   | 0   | 4 (8 blocks, protected block 4088th-4095th)     |
| 0          | 1   | 0   | 1   | 5 (16 blocks, protected block 4080th-4095th)    |
| 0          | 1   | 1   | 0   | 6 (32 blocks, protected block 4064th-4095th)    |
| 0          | 1   | 1   | 1   | 7 (64 blocks, protected block 4032nd-4095th)    |
| 1          | 0   | 0   | 0   | 8 (128 blocks, protected block 3968th-4095th)   |
| 1          | 0   | 0   | 1   | 9 (256 blocks, protected block 3840th-4095th)   |
| 1          | 0   | 1   | 0   | 10 (512 blocks, protected block 3584th-4095th)  |
| 1          | 0   | 1   | 1   | 11 (1024 blocks, protected block 3072nd-4095th) |
| 1          | 1   | 0   | 0   | 12 (2048 blocks, protected block 2048th-4095th) |
| 1          | 1   | 0   | 1   | 13 (4096 blocks, protected all)                 |
| 1          | 1   | 1   | 0   | 14 (4096 blocks, protected all)                 |
| 1          | 1   | 1   | 1   | 15 (4096 blocks, protected all)                 |

#### Protected Area Sizes (T/B bit = 1)

| Status bit |     |     |     | Protect Level                                |
|------------|-----|-----|-----|--|
| BP3        | BP2 | BP1 | BP0 | 2Gb  |
| 0          | 0   | 0   | 0   | 0 (none)                                     |
| 0          | 0   | 0   | 1   | 1 (1 block, protected block 0th)             |
| 0          | 0   | 1   | 0   | 2 (2 blocks, protected block 0th-1st)        |
| 0          | 0   | 1   | 1   | 3 (4 blocks, protected block 0th-3rd)        |
| 0          | 1   | 0   | 0   | 4 (8 blocks, protected block 0th-7th)        |
| 0          | 1   | 0   | 1   | 5 (16 blocks, protected block 0th-15th)      |
| 0          | 1   | 1   | 0   | 6 (32 blocks, protected block 0th-31st)      |
| 0          | 1   | 1   | 1   | 7 (64 blocks, protected block 0th-63rd)      |
| 1          | 0   | 0   | 0   | 8 (128 blocks, protected block 0th-127th)    |
| 1          | 0   | 0   | 1   | 9 (256 blocks, protected block 0th-255th)    |
| 1          | 0   | 1   | 0   | 10 (512 blocks, protected block 0th-511th)   |
| 1          | 0   | 1   | 1   | 11 (1024 blocks, protected block 0th-1023rd) |
| 1          | 1   | 0   | 0   | 12 (2048 blocks, protected block 0th-2047th) |
| 1          | 1   | 0   | 1   | 13 (4096 blocks, protected all)              |
| 1          | 1   | 1   | 0   | 14 (4096 blocks, protected all)              |
| 1          | 1   | 1   | 1   | 15 (4096 blocks, protected all)              |

**6-2. Additional 8K-bit secured OTP**

The secured OTP for unique identifier: to provide 8K-bit one-time program area for setting device unique serial number. Which may be set by factory or system customer.

- Security register bit 0 indicates whether the chip is locked by factory or not.
- To program the 8K-bit secured OTP by entering secured OTP mode (with Enter Security OTP command), and going through normal program procedure, and then exiting secured OTP mode by writing Exit Security OTP command.
- Customer may lock-down the customer lockable secured OTP by writing WRSCUR(write security register) command to set customer lock-down bit1 as "1". Please refer to "[Table 10. Security Register Definition](#)" for security register bit definition and "[Table 4. 8K-bit Secured OTP Definition](#)" for address range definition.
- Note: Once lock-down by factory or customer, the corresponding range cannot be changed any more. While in secured OTP mode, array access is not allowed.

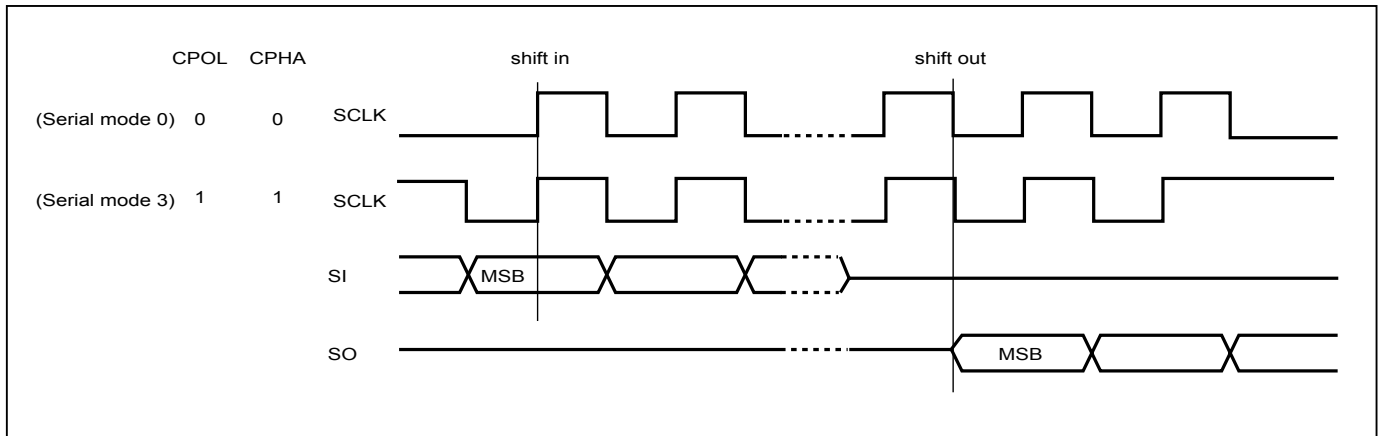
**Table 4. 8K-bit Secured OTP Definition**

| Address range | Size     | Lock-down              |
|---------------|----------|------------------------|
| xxx000~xxx1FF | 4096-bit | Determined by Customer |
| xxx200~xxx3FF | 4096-bit | Determined by Factory  |

## 7. DEVICE OPERATION

1. Before a command is issued, status register should be checked to ensure device is ready for the intended operation.
2. When incorrect command is inputted to this device, this device becomes standby mode and keeps the standby mode until next CS# falling edge. In standby mode, SO pin of this device should be High-Z.
3. When correct command is inputted to this device, this device becomes active mode and keeps the active mode until next CS# rising edge.
4. Input data is latched on the rising edge of Serial Clock (SCLK) and data shifts out on the falling edge of SCLK. The difference of Serial mode 0 and mode 3 is shown as "Serial Modes Supported".
5. For the following instructions: RDID, RDSR, RDSCUR, READ/READ4B, FAST\_READ/FAST\_READ4B, 2READ/2READ4B, DREAD/DREAD4B, 4READ/4READ4B, QREAD/QREAD4B, RDSFDP, RES, REMS, QPIID, RDDPB, RDSPB, RDLR, RDEAR, RDFBR, RDCR the shifted-in instruction sequence is followed by a data-out sequence. After any bit of data being shifted out, the CS# can be high. For the following instructions: WREN, WRDI, WRSR, SE/SE4B, BE32K/BE32K4B, BE/BE4B, CE, PP/PP4B, 4PP/4PP4B, DP, ENSO, EXSO, WRSCUR, EN4B, EX4B, WPSEL, GBLK, GBULK, SUSPEND, RESUME, NOP, RSTEN, RST, EQIO, RSTQIO the CS# must go high exactly at the byte boundary; otherwise, the instruction will be rejected and not executed.
6. During the progress of Write Status Register, Program, Erase operation, to access the memory array is neglected and not affect the current operation of Write Status Register, Program, Erase.

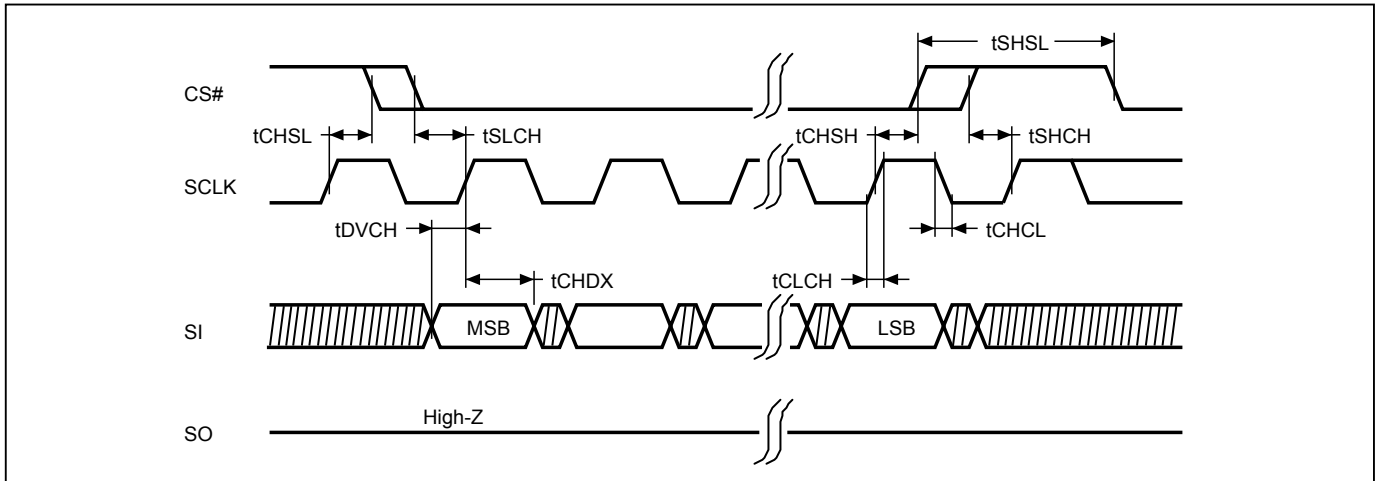
**Figure 1. Serial Modes Supported**



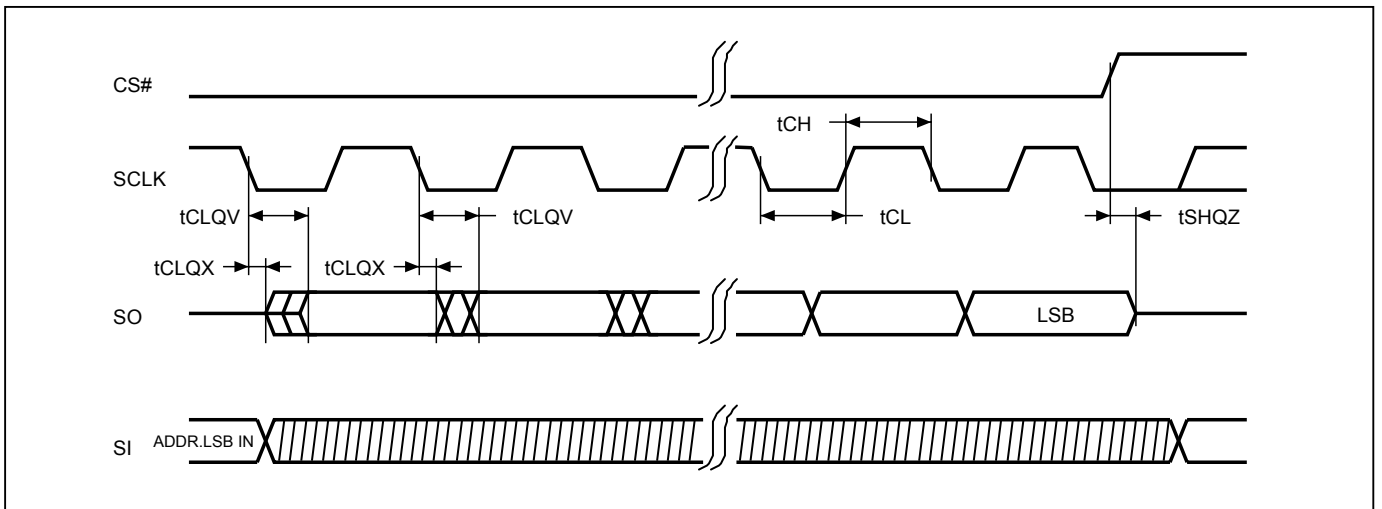
**Note:**

CPOL indicates clock polarity of Serial master, CPOL=1 for SCLK high while idle, CPOL=0 for SCLK low while not transmitting. CPHA indicates clock phase. The combination of CPOL bit and CPHA bit decides which Serial mode is supported.

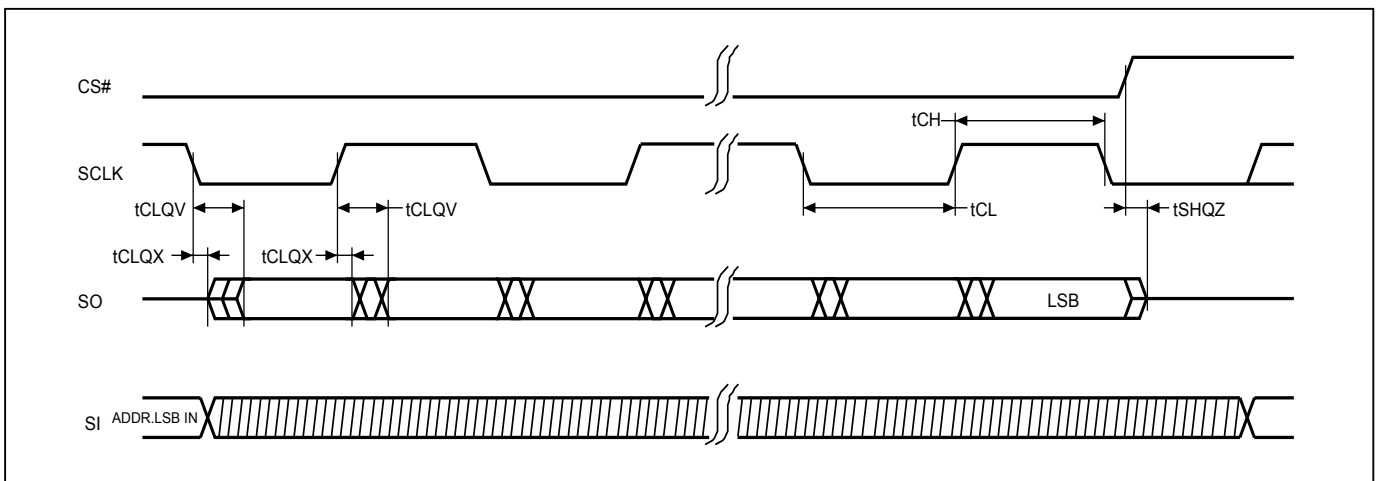
**Figure 2. Serial Input Timing**



**Figure 3. Output Timing (STR mode)**



**Figure 4. Output Timing (DTR mode)**



## 7-1. 256Mb Address Protocol

The original 24 bit address protocol of Serial NOR Flash can only access density size below 128Mb. For the memory device of 256Mb and above, the 32bit address is requested for access higher memory size. The MX66U2G45G provides three different methods to access the whole density:

### (1) Command entry 4-byte address mode:

Issue Enter 4-Byte mode command to set up the 4BYTE bit in Configuration Register bit. After 4BYTE bit has been set, the number of address cycle become 32-bit.

### (2) Extended Address Register (EAR):

configure the memory device into eight 128Mb segments to select which one is active through the EAR<0-3>.

### (3) 4-byte Address Command Set:

When issuing 4-byte address command set, 4-byte address (A31-A0) is requested after the instruction code. Please note that it is not necessary to issue EN4B command before issuing any of 4-byte command set.

## Enter 4-Byte Address Mode

In 4-byte Address mode, all instructions are 32-bits address clock cycles. By using EN4B and EX4B to enable and disable the 4-byte address mode.

When 4-byte address mode is enabled, the EAR<0-3> becomes "don't care" for all instructions requiring 4-byte address. The EAR function will be disabled when 4-byte mode is enabled.

## Extended Address Register

The device provides an 8-bit volatile register for extended Address Register: it identifies the extended address (A31~A24) above 128Mb density by using original 3-byte address.

### Extended Address Register (EAR)

| Bit 7 | Bit 6 | Bit 5 | Bit 4 | Bit 3 | Bit 2 | Bit 1 | Bit 0 |
|-------|-------|-------|-------|-------|-------|-------|-------|
| A31   | A30   | A29   | A28   | A27   | A26   | A25   | A24   |

For the MX66U2G45G the A31 to A28 are Don't Care. During EAR, reading these bits will read as 0. The bit 0 is default as "0".



**Figure 5. EAR Operation Segments**

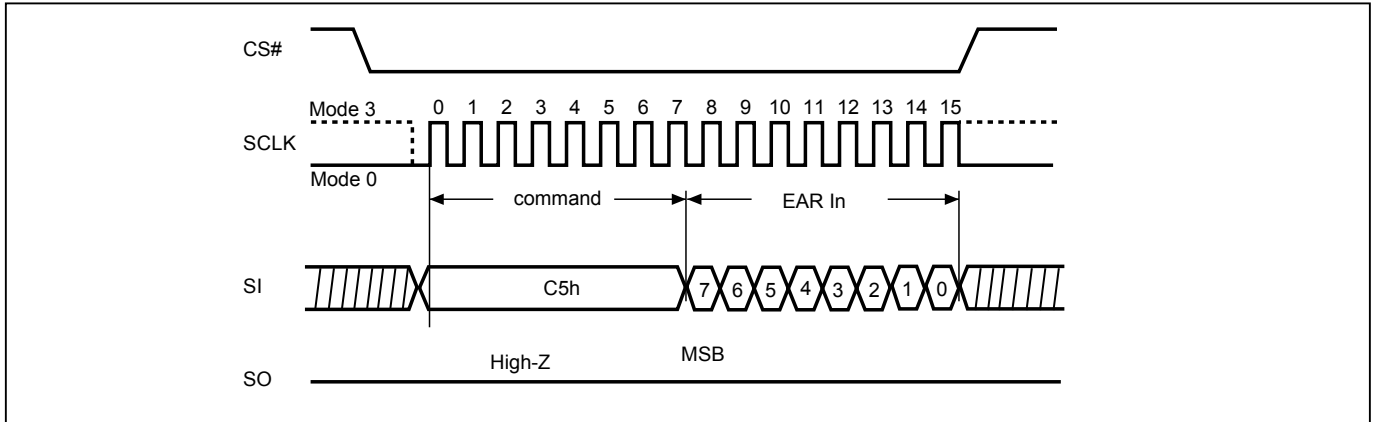
|           |                |           |                |
|-----------|----------------|-----------|----------------|
| 0FFFFFFFh | EAR<3-0>= 1111 | 07FFFFFFh | EAR<3-0>= 0111 |
| 0F000000h |                | 07000000h |                |
| 0EFFFFFFh | EAR<3-0>= 1110 | 06FFFFFFh | EAR<3-0>= 0110 |
| 0E000000h |                | 06000000h |                |
| 0DFFFFFFh | EAR<3-0>= 1101 | 05FFFFFFh | EAR<3-0>= 0101 |
| 0D000000h |                | 05000000h |                |
| 0CFFFFFFh | EAR<3-0>= 1100 | 04FFFFFFh | EAR<3-0>= 0100 |
| 0C000000h |                | 04000000h |                |
| 0BFFFFFFh | EAR<3-0>= 1011 | 03FFFFFFh | EAR<3-0>= 0011 |
| 0B000000h |                | 03000000h |                |
| 0AFFFFFFh | EAR<3-0>= 1010 | 02FFFFFFh | EAR<3-0>= 0010 |
| 0A000000h |                | 02000000h |                |
| 09FFFFFFh | EAR<3-0>= 1001 | 01FFFFFFh | EAR<3-0>= 0001 |
| 09000000h |                | 01000000h |                |
| 08FFFFFFh | EAR<3-0>= 1000 | 00FFFFFFh | EAR<3-0>= 0000 |
| 08000000h |                | 00000000h |                |

When under EAR mode, Read, Program, Erase operates in the selected segment by using 3-byte address mode.

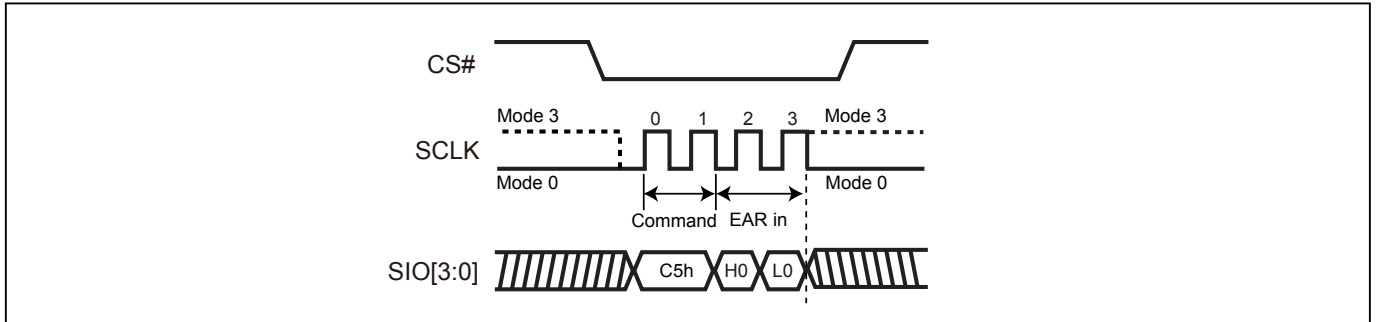
For the read operation, the whole array data can be continually read out with one command. Data output starts from the selected 128Mb block, but it can cross the boundary. When the last byte of the segment is reached, the next byte (in a continuous reading) is the first byte of the next segment. However, the EAR (Extended Address Register) value does not change. The random access reading can only be operated in the selected segment.

The Chip erase command will erase the whole chip and is not limited by EAR selected segment. However, the sector erase ,block erase , program operation are limited in selected segment and will not cross the boundary.

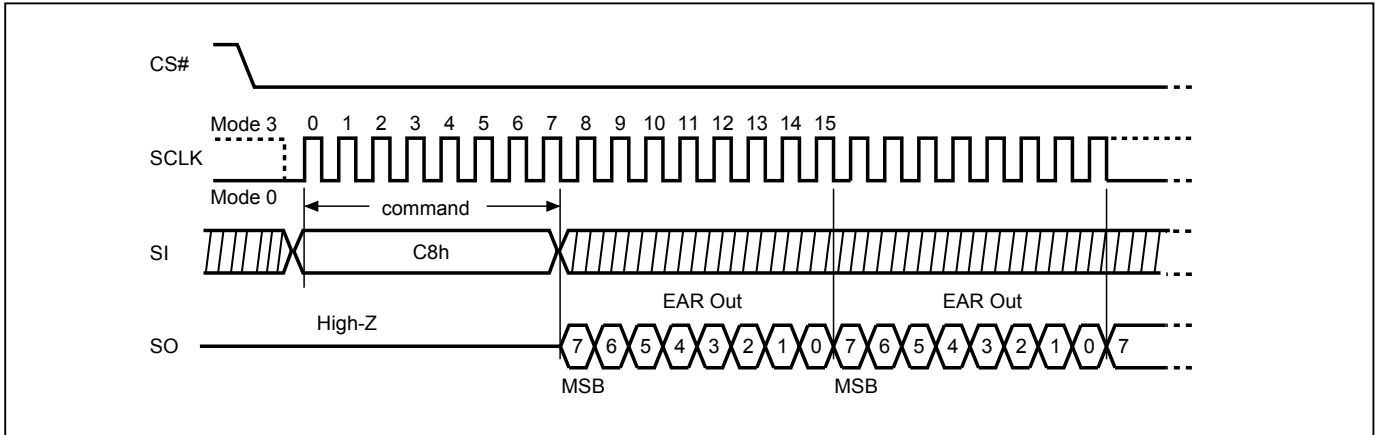
**Figure 6. Write EAR Register (WREAR) Sequence (SPI Mode)**



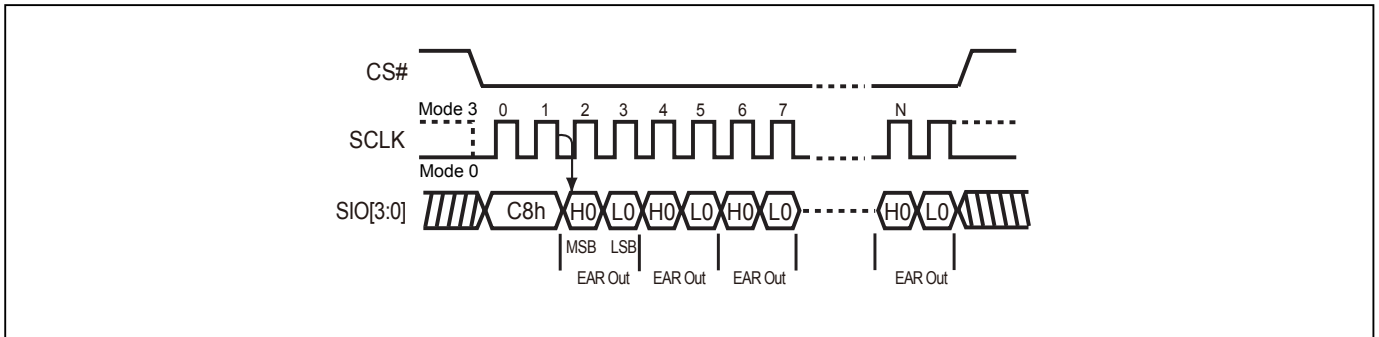
**Figure 7. Write EAR Register (WREAR) Sequence (QPI Mode)**



**Figure 8. Read EAR (RDEAR) Sequence (SPI Mode)**



**Figure 9. Read EAR (RDEAR) Sequence (QPI Mode)**



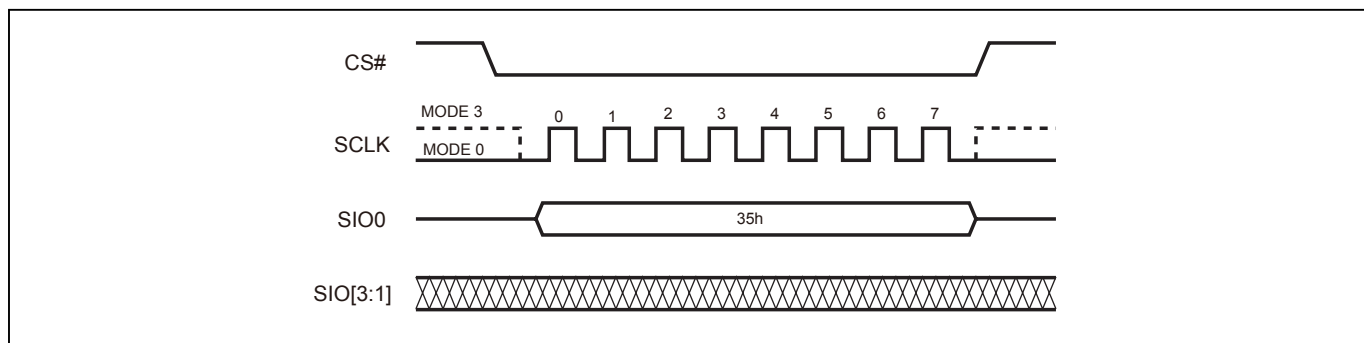
## 7-2. Quad Peripheral Interface (QPI) Read Mode

QPI protocol enables user to take full advantage of Quad I/O Serial NOR Flash by providing the Quad I/O interface in command cycles, address cycles and as well as data output cycles.

### Enable QPI mode

By issuing command EQIO(35h), the QPI mode is enabled.

**Figure 10. Enable QPI Sequence**



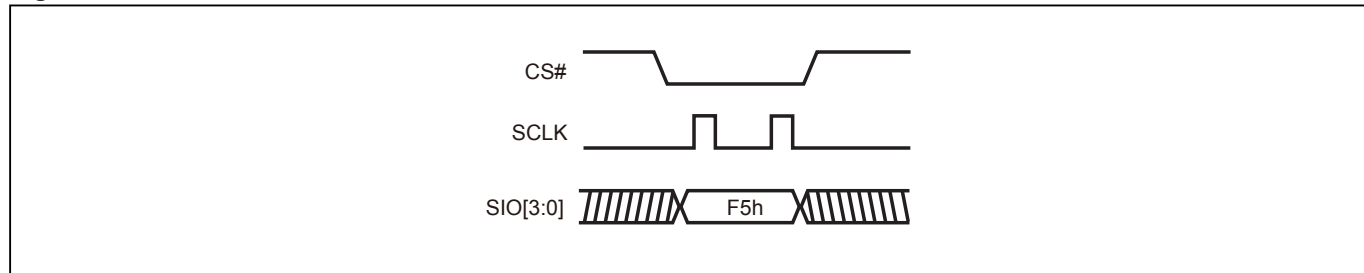
### Reset QPI (RSTQIO)

To reset the QPI mode, the RSTQIO (F5h) command is required. After the RSTQIO command is issued, the device returns from QPI mode (4 I/O interface in command cycles) to SPI mode (1 I/O interface in command cycles).

#### Note:

For EQIO and RSTQIO commands, CS# high width has to follow "write spec" tSHSL for next instruction, as defined in ["Table 23. AC CHARACTERISTICS"](#).

**Figure 11. Reset QPI Mode**



## 8. COMMAND SET

**Table 5. Read/Write Array Commands**

| Command (byte) | READ (normal read)                   | FAST READ (fast read data)           | 2READ (2 x I/O read)                            | DREAD (1I 2O read)                                  | 4READ (4 I/O read)                              | QREAD (1I 4O read)                                  | 4DTRD (Quad I/O DT Read)   |
|----------------|--------------------------------------|--------------------------------------|---|---|---|---|--|
| Mode           | SPI                                  | SPI                                  | SPI   | SPI   | SPI/QPI   | SPI   | SPI/QPI  |
| Address Bytes  | 3/4                                  | 3/4                                  | 3/4   | 3/4   | 3/4   | 3/4   | 3/4  |
| 1st byte       | 03 (hex)                             | 0B (hex)                             | BB (hex)  | 3B (hex)  | EB (hex)  | 6B (hex)  | ED (hex)   |
| 2nd byte       | ADD1                                 | ADD1                                 | ADD1  | ADD1  | ADD1  | ADD1  | ADD1   |
| 3rd byte       | ADD2                                 | ADD2                                 | ADD2  | ADD2  | ADD2  | ADD2  | ADD2   |
| 4th byte       | ADD3                                 | ADD3                                 | ADD3  | ADD3  | ADD3  | ADD3  | ADD3   |
| 5th byte       |                                      | Dummy*                               | Dummy*  | Dummy*  | Dummy*  | Dummy*  | Dummy*   |
| Data Cycles    |                                      |                                      |   |   |   |   |  |
| Action         | n bytes read out until CS# goes high | n bytes read out until CS# goes high | n bytes read out by 2 x I/O until CS# goes high | n bytes read out by Dual output until CS# goes high | n bytes read out by 4 x I/O until CS# goes high | n bytes read out by Quad output until CS# goes high | n bytes read out (Double Transfer Rate) by 4xI/O until CS# goes high |

| Command (byte) | PP (page program)            | 4PP (quad page program)                 | SE (sector erase)            | BE 32K (block erase 32KB)       | BE (block erase 64KB)       | CE (chip erase)     |
|----------------|------------------------------|---|------------------------------|---------------------------------|-----------------------------|---------------------|
| Mode           | SPI/QPI                      | SPI                                     | SPI/QPI                      | SPI/QPI                         | SPI/QPI                     | SPI/QPI             |
| Address Bytes  | 3/4                          | 3/4                                     | 3/4                          | 3/4                             | 3/4                         | 0                   |
| 1st byte       | 02 (hex)                     | 38 (hex)                                | 20 (hex)                     | 52 (hex)                        | D8 (hex)                    | 60 or C7 (hex)      |
| 2nd byte       | ADD1                         | ADD1                                    | ADD1                         | ADD1                            | ADD1                        |                     |
| 3rd byte       | ADD2                         | ADD2                                    | ADD2                         | ADD2                            | ADD2                        |                     |
| 4th byte       | ADD3                         | ADD3                                    | ADD3                         | ADD3                            | ADD3                        |                     |
| 5th byte       |                              |   |                              |                                 |                             |                     |
| Data Cycles    | 1-256                        | 1-256                                   |                              |                                 |                             |                     |
| Action         | to program the selected page | quad input to program the selected page | to erase the selected sector | to erase the selected 32K block | to erase the selected block | to erase whole chip |

\* Dummy cycle numbers will be different depending on the bit6 & bit 7 (DC0 & DC1) setting in configuration register.

Notes 2: Please note the address cycles above are based on 3-byte address mode. After enter 4-byte address mode by EN4B command, the address cycles will be increased to 4byte.

**Table 6. Read/Write Array Commands (4 Byte Address Command Set)**

| Command (byte) | READ4B                           | FAST READ4B                      | 2READ4B                                       | DREAD4B   | 4READ4B                                       | QREAD4B   | 4DTRD4B (Quad I/O DT Read)   |
|----------------|----------------------------------|----------------------------------|---|---|---|---|--|
| Mode           | SPI                              | SPI                              | SPI   | SPI   | SPI/QPI                                       | SPI   | SPI/QPI  |
| Address Bytes  | 4                                | 4                                | 4   | 4   | 4   | 4   | 4  |
| 1st byte       | 13 (hex)                         | 0C (hex)                         | BC (hex)                                      | 3C (hex)  | EC (hex)                                      | 6C (hex)  | EE (hex)   |
| 2nd byte       | ADD1                             | ADD1                             | ADD1  | ADD1  | ADD1  | ADD1  | ADD1   |
| 3rd byte       | ADD2                             | ADD2                             | ADD2  | ADD2  | ADD2  | ADD2  | ADD2   |
| 4th byte       | ADD3                             | ADD3                             | ADD3  | ADD3  | ADD3  | ADD3  | ADD3   |
| 5th byte       | ADD4                             | ADD4                             | ADD4  | ADD4  | ADD4  | ADD4  | ADD4   |
| 6th byte       |                                  | Dummy*                           | Dummy*  | Dummy*  | Dummy*  | Dummy*  | Dummy*   |
| Data Cycles    |                                  |                                  |   |   |   |   |  |
| Action         | read data byte by 4 byte address | read data byte by 4 byte address | read data byte by 2 x I/O with 4 byte address | Read data byte by Dual Output with 4 byte address | read data byte by 4 x I/O with 4 byte address | Read data byte by Quad Output with 4 byte address | n bytes read out (Double Transfer Rate) by 4xI/O until CS# goes high |

| Command (byte) | PP4B  | 4PP4B  | BE4B (block erase 64KB)                               | BE32K4B (block erase 32KB)                            | SE4B (Sector erase 4KB)                               |
|----------------|---|--|---|---|---|
| Mode           | SPI/QPI   | SPI  | SPI/QPI   | SPI/QPI   | SPI/QPI   |
| Address Bytes  | 4   | 4  | 4   | 4   | 4   |
| 1st byte       | 12 (hex)  | 3E (hex)   | DC (hex)  | 5C (hex)  | 21 (hex)  |
| 2nd byte       | ADD1  | ADD1   | ADD1  | ADD1  | ADD1  |
| 3rd byte       | ADD2  | ADD2   | ADD2  | ADD2  | ADD2  |
| 4th byte       | ADD3  | ADD3   | ADD3  | ADD3  | ADD3  |
| 5th byte       | ADD4  | ADD4   | ADD4  | ADD4  | ADD4  |
| 6th byte       |   |  |   |   |   |
| Data Cycles    | 1-256   | 1-256  |   |   |   |
| Action         | to program the selected page with 4byte address | Quad input to program the selected page with 4byte address | to erase the selected (64KB) block with 4byte address | to erase the selected (32KB) block with 4byte address | to erase the selected (4KB) sector with 4byte address |

**Table 7. Register/Setting Commands**

| Command (byte) | WREN (write enable)                   | WRDI (write disable)                    | RDSR (read status register)                   | RDCR (read configuration register)                   | WRSR (write status/ configuration register)               | RDEAR (read extended address register) | WREAR (write extended address register) |
|----------------|---------------------------------------|---|---|--|---|--|---|
| Mode           | SPI/QPI                               | SPI/QPI                                 | SPI/QPI                                       | SPI/QPI  | SPI/QPI   | SPI/QPI                                | SPI/QPI                                 |
| 1st byte       | 06 (hex)                              | 04 (hex)                                | 05 (hex)                                      | 15 (hex)   | 01 (hex)  | C8 (hex)                               | C5 (hex)                                |
| 2nd byte       |                                       |   |   |  | Values  |  |   |
| 3rd byte       |                                       |   |   |  | Values  |  |   |
| 4th byte       |                                       |   |   |  |   |  |   |
| 5th byte       |                                       |   |   |  |   |  |   |
| Data Cycles    |                                       |   |   |  | 1-2   |  | 1                                       |
| Action         | sets the (WEL) write enable latch bit | resets the (WEL) write enable latch bit | to read out the values of the status register | to read out the values of the configuration register | to write new values of the status/ configuration register | read extended address register         | write extended address register         |

| Command (byte) | WPSEL (Write Protect Selection)                   | EQIO (Enable QPI)     | RSTQIO (Reset QPI)   | EN4B (enter 4-byte mode)                      | EX4B (exit 4-byte mode)                           | PGM/ERS Suspend (Suspend Program/ Erase) | PGM/ERS Resume (Resumes Program/ Erase) |
|----------------|---|-----------------------|----------------------|---|---|--|---|
| Mode           | SPI   | SPI                   | QPI                  | SPI/QPI                                       | SPI/QPI   | SPI/QPI                                  | SPI/QPI                                 |
| 1st byte       | 68 (hex)  | 35 (hex)              | F5 (hex)             | B7 (hex)                                      | E9 (hex)  | B0 (hex)                                 | 30 (hex)                                |
| 2nd byte       |   |                       |                      |   |   |  |   |
| 3rd byte       |   |                       |                      |   |   |  |   |
| 4th byte       |   |                       |                      |   |   |  |   |
| 5th byte       |   |                       |                      |   |   |  |   |
| Data Cycles    |   |                       |                      |   |   |  |   |
| Action         | to enter and enable individual block protect mode | Entering the QPI mode | Exiting the QPI mode | to enter 4-byte mode and set 4BYTE bit as "1" | to exit 4-byte mode and clear 4BYTE bit to be "0" |  |   |

| Command (byte) | DP (Deep power down)        | RDP (Release from deep power down) | SBL (Set Burst Length) | RDFBR (read fast boot register) | WRFBR (write fast boot register) | ESFBR (erase fast boot register) |
|----------------|-----------------------------|------------------------------------|------------------------|---------------------------------|----------------------------------|----------------------------------|
| Mode           | SPI/QPI                     | SPI/QPI                            | SPI/QPI                | SPI                             | SPI                              | SPI                              |
| 1st byte       | B9 (hex)                    | AB (hex)                           | C0 (hex)               | 16(hex)                         | 17(hex)                          | 18(hex)                          |
| 2nd byte       |                             |                                    |                        |                                 |                                  |                                  |
| 3rd byte       |                             |                                    |                        |                                 |                                  |                                  |
| 4th byte       |                             |                                    |                        |                                 |                                  |                                  |
| 5th byte       |                             |                                    |                        |                                 |                                  |                                  |
| Data Cycles    |                             |                                    |                        | 1-4                             | 4                                |                                  |
| Action         | enters deep power down mode | release from deep power down mode  | to set Burst length    |                                 |                                  |                                  |

**Table 8. ID/Security Commands**

| Command (byte) | RDID (read identification)                                  | RES (read electronic ID)     | REMS (read electronic manufacturer & device ID) | QPIID (QPI ID Read) | RDSFDP         | ENSO (enter secured OTP)      | EXSO (exit secured OTP)      |
|----------------|---|------------------------------|---|---------------------|----------------|-------------------------------|------------------------------|
| Mode           | SPI   | SPI/QPI                      | SPI   | QPI                 | SPI/QPI        | SPI/QPI                       | SPI/QPI                      |
| Address Bytes  | 0   | 0                            | 0   | 0                   | 3              | 0                             | 0                            |
| 1st byte       | 9F (hex)  | AB (hex)                     | 90 (hex)  | AF (hex)            | 5A (hex)       | B1 (hex)                      | C1 (hex)                     |
| 2nd byte       |   | x                            | x   |                     | ADD1           |                               |                              |
| 3rd byte       |   | x                            | x   |                     | ADD2           |                               |                              |
| 4th byte       |   |                              | ADD1  |                     | ADD3           |                               |                              |
| 5th byte       |   |                              |   |                     | Dummy (8)      |                               |                              |
| Action         | outputs JEDEC ID: 1-byte Manufacturer ID & 2-byte Device ID | to read out 1-byte Device ID | output the Manufacturer ID & Device ID          | ID in QPI interface | Read SFDP mode | to enter the secured OTP mode | to exit the secured OTP mode |

| Command (byte) | RDSCUR (read security register)    | WRSCUR (write security register)                                    | GBLK (gang block lock)   | GBULK (gang block unlock) | WRLR (write Lock register) | RDLR (read Lock register) | WRSPB (SPB bit program) |
|----------------|------------------------------------|---|--------------------------|---------------------------|----------------------------|---------------------------|-------------------------|
| Mode           | SPI/QPI                            | SPI/QPI   | SPI                      | SPI                       | SPI                        | SPI                       | SPI                     |
| Address Bytes  | 0                                  | 0   | 0                        | 0                         | 0                          | 0                         | 4                       |
| 1st byte       | 2B (hex)                           | 2F (hex)  | 7E (hex)                 | 98 (hex)                  | 2C (hex)                   | 2D (hex)                  | E3 (hex)                |
| 2nd byte       |                                    |   |                          |                           |                            |                           | ADD1                    |
| 3rd byte       |                                    |   |                          |                           |                            |                           | ADD2                    |
| 4th byte       |                                    |   |                          |                           |                            |                           | ADD3                    |
| 5th byte       |                                    |   |                          |                           |                            |                           | ADD4                    |
| Data Cycles    |                                    |   |                          |                           | 2                          | 2                         |                         |
| Action         | to read value of security register | to set the lock-down bit as "1" (once lock-down, cannot be updated) | whole chip write protect | whole chip unprotect      |                            |                           |                         |

| Command (byte) | ESSPB (all SPB bit erase) | RDSPB (read SPB status) | WRDPB (write DPB register) | RDDPB (read DPB register) | RDPASS (read password register) | WRPASS (write password register) | PASSULK (password unlock) |
|----------------|---------------------------|-------------------------|----------------------------|---------------------------|---------------------------------|----------------------------------|---------------------------|
| Mode           | SPI                       | SPI                     | SPI                        | SPI                       | SPI                             | SPI                              | SPI                       |
| Address Bytes  | 0                         | 4                       | 4                          | 4                         | 4                               | 4                                | 4                         |
| 1st byte       | E4 (hex)                  | E2 (hex)                | E1 (hex)                   | E0 (hex)                  | 27 (hex)                        | 28 (hex)                         | 29 (hex)                  |
| 2nd byte       |                           | ADD1                    | ADD1                       | ADD1                      | ADD1                            | ADD1                             | ADD1                      |
| 3rd byte       |                           | ADD2                    | ADD2                       | ADD2                      | ADD2                            | ADD2                             | ADD2                      |
| 4th byte       |                           | ADD3                    | ADD3                       | ADD3                      | ADD3                            | ADD3                             | ADD3                      |
| 5th byte       |                           | ADD4                    | ADD4                       | ADD4                      | ADD4                            | ADD4                             | ADD4                      |
| 6th byte       |                           |                         |                            |                           | Dummy(8) <sup>(Note 4)</sup>    |                                  |                           |
| Data Cycles    |                           | 1                       | 1                          | 1                         | 8                               | 8                                | 8                         |
| Action         |                           |                         |                            |                           |                                 |                                  |                           |



**Table 9. Reset Commands**

| Command (byte) | NOP (No Operation) | RSTEN (Reset Enable) | RST (Reset Memory) |
|----------------|--------------------|----------------------|--------------------|
| Mode           | SPI/QPI            | SPI/QPI              | SPI/QPI            |
| 1st byte       | 00 (hex)           | 66 (hex)             | 99 (hex)           |
| 2nd byte       |                    |                      |                    |
| 3rd byte       |                    |                      |                    |
| 4th byte       |                    |                      |                    |
| 5th byte       |                    |                      |                    |
| Action         |                    |                      |                    |

Note 1: ADD=00H will output the manufacturer ID first and ADD=01H will output device ID first.

Note 2: It is not recommended to adopt any other code not in the command definition table, which will potentially enter the hidden mode.

Note 3: The RSTEN command must be executed before executing the RST command. If any other command is issued in-between RSTEN and RST, the RST command will be ignored.

Note 4: The number in parentheses after "ADD" or "Data" or "Dummy" stands for how many clock cycles it has. For example, "Data(8)" represents there are 8 clock cycles for the data in. Please note the number after "ADD" are based on 3-byte address mode, for 4-byte address mode, which will be increased.

## 9. REGISTER DESCRIPTION

### 9-1. Status Register

The definition of the status register bits is as below:

**WIP bit.** The Write in Progress (WIP) bit, a volatile bit, indicates whether the device is busy in program/erase/write status register progress. When WIP bit sets to 1, which means the device is busy in program/erase/write status register progress. When WIP bit sets to 0, which means the device is not in progress of program/erase/write status register cycle.

**WEL bit.** The Write Enable Latch (WEL) bit is a volatile bit that is set to “1” by the WREN instruction. WEL needs to be set to “1” before the device can accept program and erase instructions, otherwise the program and erase instructions are ignored. WEL automatically clears to “0” when a program or erase operation completes. To ensure that both WIP and WEL are “0” and the device is ready for the next program or erase operation, it is recommended that WIP be confirmed to be “0” before checking that WEL is also “0”. If a program or erase instruction is applied to a protected memory area, the instruction will be ignored and WEL will clear to “0”.

**BP3, BP2, BP1, BP0 bits.** The Block Protect (BP3, BP2, BP1, BP0) bits, non-volatile bits, indicate the protected area (as defined in [Table 3](#)) of the device to against the program/erase instruction without hardware protection mode being set. To write the Block Protect (BP3, BP2, BP1, BP0) bits requires the Write Status Register (WRSR) instruction to be executed. Those bits define the protected area of the memory to against Page Program (PP), Sector Erase (SE), Block Erase 32KB (BE32K), Block Erase (BE) and Chip Erase (CE) instructions (only if Block Protect bits (BP3:BP0) set to 0, the CE instruction can be executed). The BP3, BP2, BP1, BP0 bits are "0" as default. Which is un-protected.

**QE bit.** The Quad Enable (QE) bit is a non-volatile bit with a factory default of “0”. When QE is “0”, Quad mode commands are ignored; pins WP#/SIO2 and NC/SIO3 function as WP# and NC, respectively. When QE is “1”, Quad mode is enabled and Quad mode commands are supported along with Single and Dual mode commands. Pins WP#/SIO2 and NC/SIO3 function as SIO2 and SIO3, respectively, and their alternate pin functions are disabled. Enabling Quad mode also disables the HPM feature.

**SRWD bit.** The Status Register Write Disable (SRWD) bit, non-volatile bit, is operated together with Write Protection (WP#/SIO2) pin for providing hardware protection mode. The hardware protection mode requires SRWD sets to 1 and WP#/SIO2 pin signal is low stage. In the hardware protection mode, the Write Status Register (WRSR) instruction is no longer accepted for execution and the SRWD bit and Block Protect bits (BP3, BP2, BP1, BP0) are read only. The SRWD bit defaults to be "0".

#### Status Register

| bit7  | bit6                               | bit5                           | bit4                           | bit3                           | bit2                           | bit1                                 | bit0  |
|---|------------------------------------|--------------------------------|--------------------------------|--------------------------------|--------------------------------|--------------------------------------|---|
| SRWD (status register write protect)                                | QE (Quad Enable)                   | BP3 (level of protected block) | BP2 (level of protected block) | BP1 (level of protected block) | BP0 (level of protected block) | WEL (write enable latch)             | WIP (write in progress bit)                   |
| 1=status register write disabled<br>0=status register write enabled | 1=Quad Enable<br>0=not Quad Enable | (note 1)                       | (note 1)                       | (note 1)                       | (note 1)                       | 1=write enable<br>0=not write enable | 1=write operation<br>0=not in write operation |
| Non-volatile bit  | Non-volatile bit                   | Non-volatile bit               | Non-volatile bit               | Non-volatile bit               | Non-volatile bit               | volatile bit                         | volatile bit                                  |

Note 1: Please refer to the ["Table 3. Protected Area Sizes"](#).

## 9-2. Configuration Register

The Configuration Register is able to change the default status of Flash memory. Flash memory will be configured after the CR bit is set.

### ODS bit

The output driver strength (ODS2, ODS1, ODS0) bits are volatile bits, which indicate the output driver level (as defined in *Output Driver Strength Table*) of the device. To write the ODS bits requires the Write Status Register (WRSR) instruction to be executed.

### TB bit

The Top/Bottom (TB) bit is a non-volatile OTP bit. The Top/Bottom (TB) bit is used to configure the Block Protect area by BP bit (BP3, BP2, BP1, BP0), starting from TOP or Bottom of the memory array. The TB bit is defaulted as "0", which means Top area protect. When it is set as "1", the protect area will change to Bottom area of the memory device. To write the TB bits requires the Write Status Register (WRSR) instruction to be executed.

### PBE bit

The Preamble Bit Enable (PBE) bit is a volatile bit. It is used to enable or disable the preamble bit data pattern output on dummy cycles. The PBE bit is defaulted as "0", which means preamble bit is disabled. When it is set as "1", the preamble bit will be enabled, and inputted into dummy cycles. To write the PBE bits requires the Write Status Register (WRSR) instruction to be executed.

### 4BYTE Indicator bit

By writing EN4B instruction, the 4BYTE bit may be set as "1" to access the address length of 32-bit for memory area of higher density (large than 128Mb). The default state is "0" as the 24-bit address mode. The 4BYTE bit may be cleared by power-off or writing EX4B instruction to reset the state to be "0".

## Configuration Register

| bit7                      | bit6                      | bit5  | bit4                            | bit3   | bit2                                 | bit1                                 | bit0                                 |
|---------------------------|---------------------------|---|---------------------------------|--|--------------------------------------|--------------------------------------|--------------------------------------|
| DC1<br>(Dummy<br>cycle 1) | DC0<br>(Dummy<br>cycle 0) | 4 BYTE  | PBE<br>(Preamble bit<br>Enable) | TB<br>(top/bottom<br>selected)                                   | ODS 2<br>(output driver<br>strength) | ODS 1<br>(output driver<br>strength) | ODS 0<br>(output driver<br>strength) |
| (note 2)                  | (note 2)                  | 0=3-byte<br>address<br>mode<br>1=4-byte<br>address<br>mode<br>(Default=0) | 0=Disable<br>1=Enable           | 0=Top area<br>protect<br>1=Bottom<br>area protect<br>(Default=0) | (note 1)                             | (note 1)                             | (note 1)                             |
| volatile bit              | volatile bit              | volatile bit  | volatile bit                    | OTP  | volatile bit                         | volatile bit                         | volatile bit                         |

Note 1: see "[Output Driver Strength Table](#)"

Note 2: see "[Dummy Cycle and Frequency Table \(MHz\)](#)"

**Output Driver Strength Table**

| ODS2 | ODS1 | ODS0 | Description       | Note                            |
|------|------|------|-------------------|---------------------------------|
| 0    | 0    | 0    | 146 Ohms          | Impedance at VCC/2<br>(Typical) |
| 0    | 0    | 1    | 76 Ohms           |                                 |
| 0    | 1    | 0    | 52 Ohms           |                                 |
| 0    | 1    | 1    | 41 Ohms           |                                 |
| 1    | 0    | 0    | 34 Ohms           |                                 |
| 1    | 0    | 1    | 30 Ohms           |                                 |
| 1    | 1    | 0    | 26 Ohms           |                                 |
| 1    | 1    | 1    | 24 Ohms (Default) |                                 |

**Dummy Cycle and Frequency Table (MHz)**

| DC[1:0]             | Numbers of Dummy clock cycles | Fast Read | Dual Output Fast Read | Quad Output Fast Read |
|---------------------|-------------------------------|-----------|-----------------------|-----------------------|
| <b>00 (default)</b> | 8                             | 133       | 133                   | 133                   |
| <b>01</b>           | 6                             | 133       | 133                   | 104                   |
| <b>10</b>           | 8                             | 133       | 133                   | 133                   |
| <b>11</b>           | 10                            | 166       | 166                   | 166                   |

| DC[1:0]             | Numbers of Dummy clock cycles | Dual IO Fast Read |
|---------------------|-------------------------------|-------------------|
| <b>00 (default)</b> | 4                             | 84                |
| <b>01</b>           | 6                             | 104               |
| <b>10</b>           | 8                             | 133               |
| <b>11</b>           | 10                            | 166               |

| DC[1:0]             | Numbers of Dummy clock cycles | Quad IO Fast Read | Quad I/O DTR Read |
|---------------------|-------------------------------|-------------------|-------------------|
| <b>00 (default)</b> | 6                             | 84                | 52                |
| <b>01</b>           | 4                             | 70                | 42                |
| <b>10</b>           | 8                             | 104               | 66                |
| <b>11</b>           | 10                            | 133               | 102               |

### 9-3. Security Register

The definition of the Security Register bits is as below:

**Write Protection Selection bit.** Please reference to "[Write Protection Selection bit](#)"

**Erase Fail bit.** The Erase Fail bit shows the status of last Erase operation. The bit will be set to "1" if the erase operation failed or the erase region was protected. It will be automatically cleared to "0" if the next erase operation succeeds. Please note that it will not interrupt or stop any operation in the flash memory.

**Program Fail bit.** The Program Fail bit shows the status of the last Program operation. The bit will be set to "1" if the program operation failed or the program region was protected. It will be automatically cleared to "0" if the next program operation succeeds. Please note that it will not interrupt or stop any operation in the flash memory.

**Erase Suspend bit.** Erase Suspend Bit (ESB) indicates the status of Erase Suspend operation. Users may use ESB to identify the state of flash memory. After the flash memory is suspended by Erase Suspend command, ESB is set to "1". ESB is cleared to "0" after erase operation resumes.

**Program Suspend bit.** Program Suspend Bit (PSB) indicates the status of Program Suspend operation. Users may use PSB to identify the state of flash memory. After the flash memory is suspended by Program Suspend command, PSB is set to "1". PSB is cleared to "0" after program operation resumes.

**Secured OTP Indicator bit.** The Secured OTP indicator bit shows the secured OTP area is locked by factory or not. When it is "0", it indicates non-factory lock; "1" indicates factory-lock.

**Lock-down Secured OTP (LDSO) bit.** By writing WRSCUR instruction, the LDSO bit may be set to "1" for customer lock-down purpose. However, once the bit is set to "1" (lock-down), the LDSO bit and the Secured OTP area cannot be updated any more. While it is in secured OTP mode, main array access is not allowed.

**Table 10. Security Register Definition**

| bit7   | bit6  | bit5   | bit4         | bit3   | bit2   | bit1   | bit0   |
|--|---|--|--------------|--|--|--|--|
| WPSEL  | E_FAIL  | P_FAIL   | Reserved     | ESB<br>(Erase<br>Suspend bit)  | PSB<br>(Program<br>Suspend bit)  | LDSO<br>(indicate if<br>lock-down)   | Secured OTP<br>indicator bit                       |
| 0=normal<br>WP mode<br>1=individual<br>mode<br>(default=0) | 0=normal<br>Erase<br>succeed<br>1=indicate<br>Erase failed<br>(default=0) | 0=normal<br>Program<br>succeed<br>1=indicate<br>Program<br>failed<br>(default=0) | -            | 0=Erase<br>is not<br>suspended<br>1= Erase<br>suspended<br>(default=0) | 0=Program<br>is not<br>suspended<br>1= Program<br>suspended<br>(default=0) | 0 = not lock-<br>down<br>1 = lock-down<br>(cannot<br>program/<br>erase<br>OTP) | 0 = non-<br>factory<br>lock<br>1 = factory<br>lock |
| Non-volatile<br>bit (OTP)                                  | Volatile bit  | Volatile bit   | Volatile bit | Volatile bit   | Volatile bit   | Non-volatile<br>bit<br>(OTP)   | Non-volatile<br>bit (OTP)                          |

## 10. COMMAND DESCRIPTION

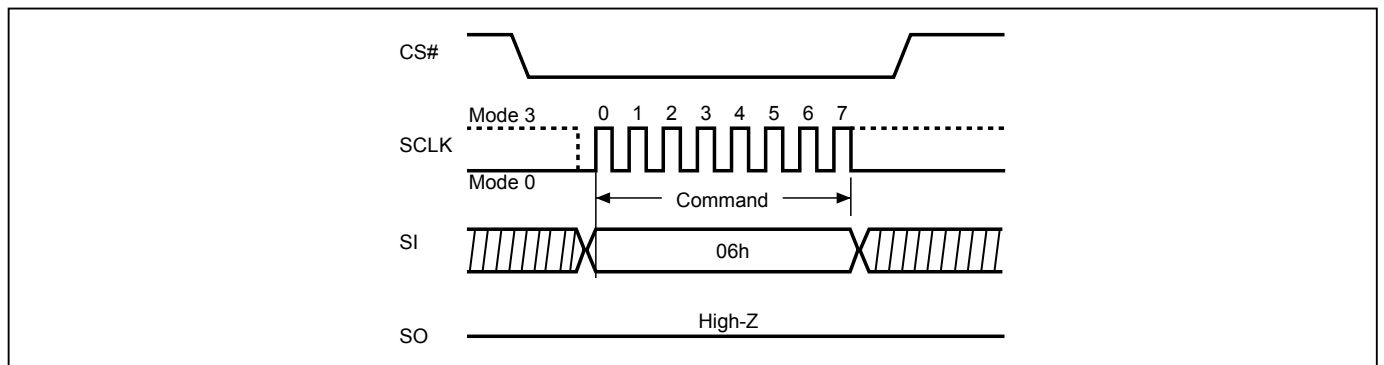
### 10-1. Write Enable (WREN)

The Write Enable (WREN) instruction is for setting Write Enable Latch (WEL) bit. For those instructions like PP/PP4B, 4PP/4PP4B, SE/SE4B, BE32K/BE32K4B, BE/BE4B, CE, and WRSR, which are intended to change the device content WEL bit should be set every time after the WREN instruction setting the WEL bit.

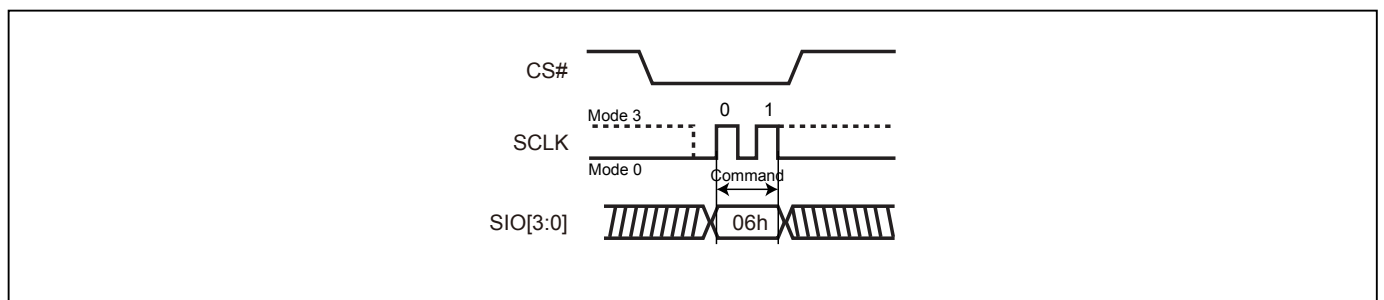
The sequence of issuing WREN instruction is: CS# goes low→sending WREN instruction code→ CS# goes high.

Both SPI (8 clocks) and QPI (2 clocks) command cycle can accept by this instruction. The SIO[3:1] are don't care in SPI mode.

**Figure 12. Write Enable (WREN) Sequence (SPI Mode)**



**Figure 13. Write Enable (WREN) Sequence (QPI Mode)**



## 10-2. Write Disable (WRDI)

The Write Disable (WRDI) instruction is to reset Write Enable Latch (WEL) bit.

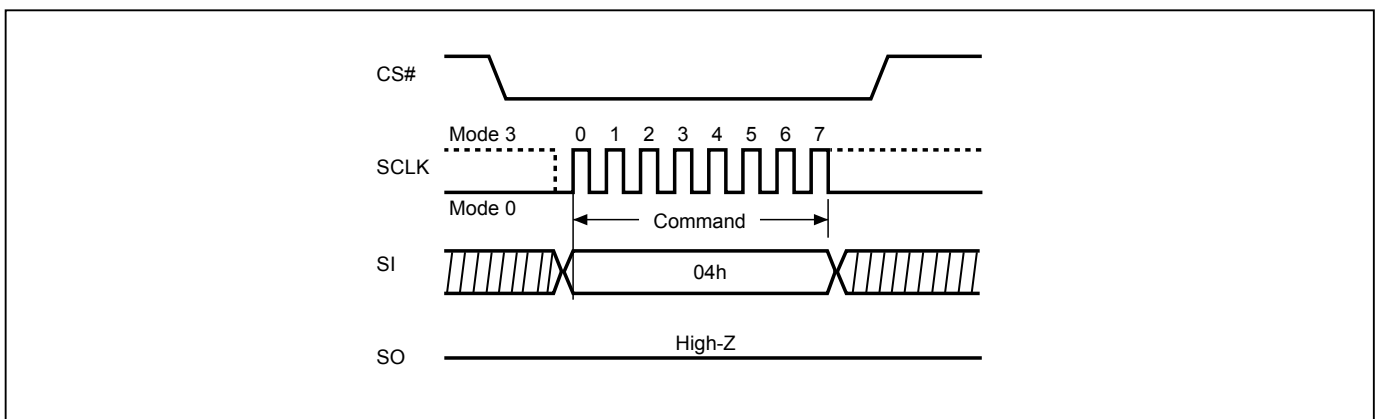
The sequence of issuing WRDI instruction is: CS# goes low→sending WRDI instruction code→CS# goes high.

Both SPI (8 clocks) and QPI (2 clocks) command cycle can accept by this instruction. The SIO[3:1] are don't care in SPI mode.

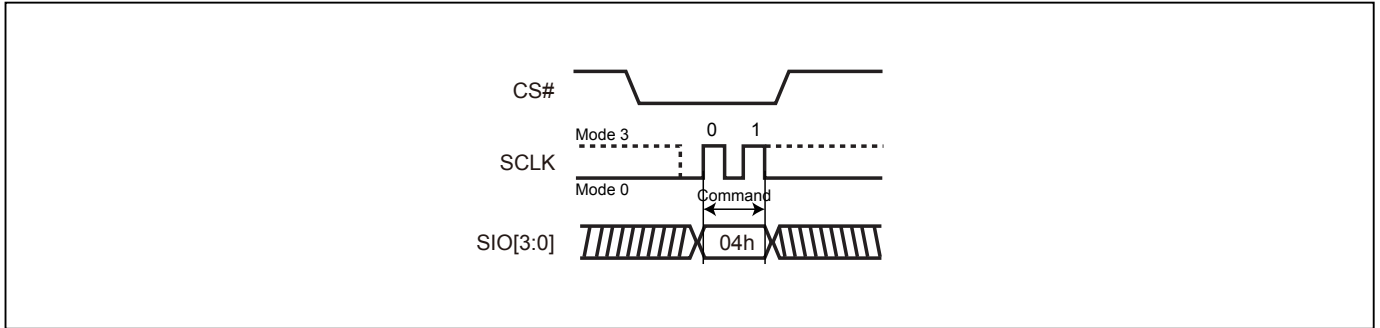
The WEL bit is reset by following situations:

- Power-up
- Reset# pin driven low
- WRDI command completion
- WRSR command completion
- PP/PP4B command completion
- 4PP/4PP4B command completion
- SE/SE4B command completion
- BE32K/BE32K4B command completion
- BE/BE4B command completion
- CE command completion
- PGM/ERS Suspend command completion
- Softreset command completion
- WRSCUR command completion
- WPSEL command completion
- GBLK command completion
- GBULK command completion
- WREAR command completion
- WRLR command completion
- WRSPB command completion
- ESSPB command completion
- WRDPB command completion
- WRFBR command completion
- ESFBR command completion

**Figure 14. Write Disable (WRDI) Sequence (SPI Mode)**



**Figure 15. Write Disable (WRDI) Sequence (QPI Mode)**



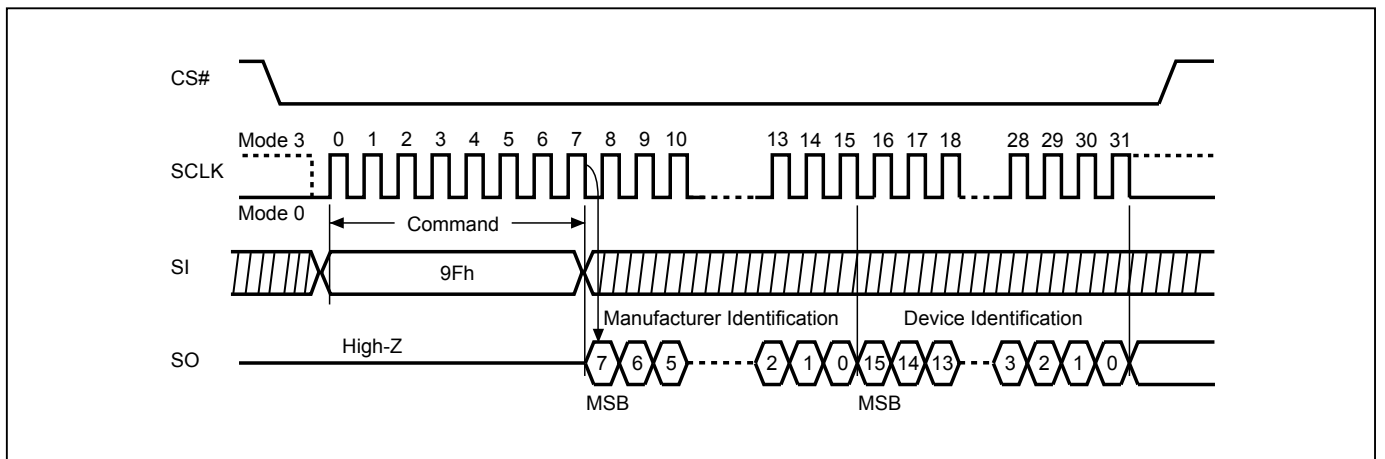
**10-3. Read Identification (RDID)**

The RDID instruction is for reading the manufacturer ID of 1-byte and followed by Device ID of 2-byte. The Macronix Manufacturer ID and Device ID are listed as ["Table 11. ID Definitions"](#).

The sequence of issuing RDID instruction is: CS# goes low → sending RDID instruction code → 24-bits ID data out on SO → to end RDID operation can drive CS# to high at any time during data out.

While Program/Erase operation is in progress, it will not decode the RDID instruction, therefore there's no effect on the cycle of program/erase operation which is currently in progress. When CS# goes high, the device is at standby stage.

**Figure 16. Read Identification (RDID) Sequence (SPI mode only)**





#### 10-4. Release from Deep Power-down (RDP), Read Electronic Signature (RES)

The Release from Deep Power-down (RDP) instruction is completed by driving Chip Select (CS#) High. When Chip Select (CS#) is driven High, the device is put in the Stand-by Power mode. If the device was not previously in the Deep Power-down mode, the transition to the Stand-by Power mode is immediate. If the device was previously in the Deep Power-down mode, though, the transition to the Stand-by Power mode is delayed by  $t_{RES1}$ , and Chip Select (CS#) must remain High for at least  $t_{RES1(max)}$ , as specified in "Table 23. AC CHARACTERISTICS". Once in the Stand-by Power mode, the device waits to be selected, so that it can receive, decode and execute instructions. The RDP instruction is only for releasing from Deep Power Down Mode. Reset# pin goes low will release the Flash from deep power down mode.

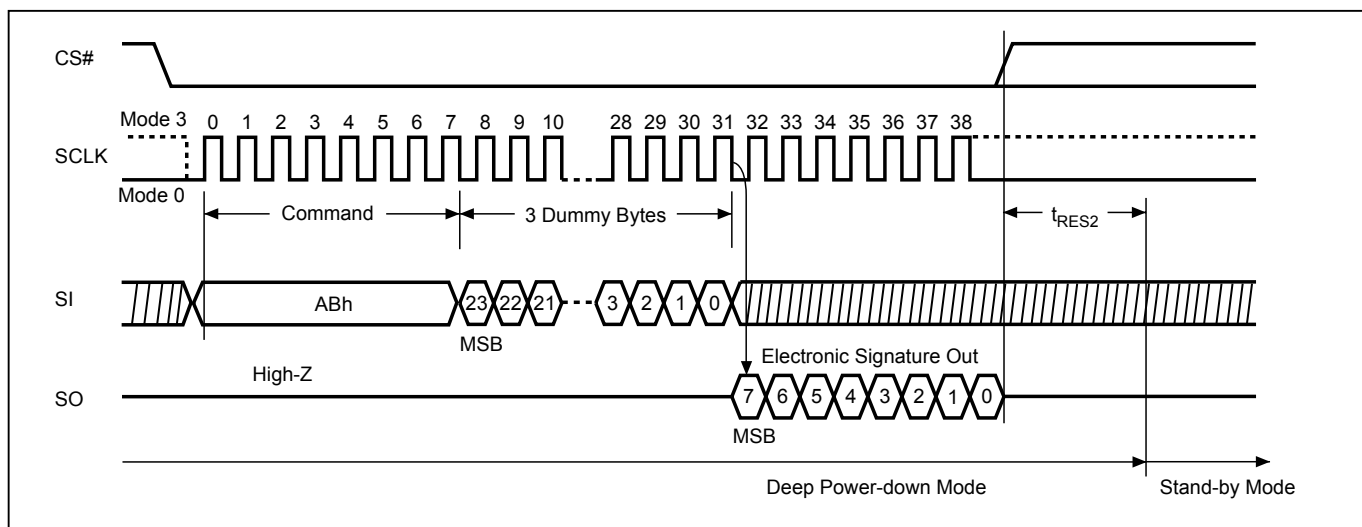
RES instruction is for reading out the old style of 8-bit Electronic Signature, whose values are shown as Table 11 ID Definitions. This is not the same as RDID instruction. It is not recommended to use for new design. For new design, please use RDID instruction.

Even in Deep power-down mode, the RDP and RES are also allowed to be executed, only except the device is in progress of program/erase/write cycle; there's no effect on the current program/erase/write cycle in progress.

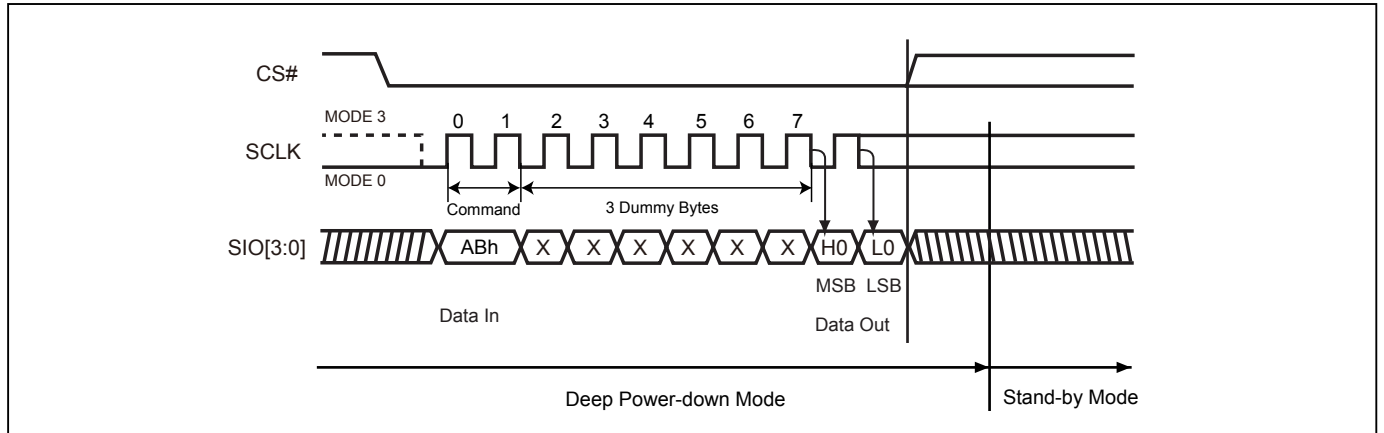
Both SPI (8 clocks) and QPI (2 clocks) command cycle can accept by this instruction. The SIO[3:1] are don't care when during SPI mode.

The RES instruction is ended by CS# goes high after the ID been read out at least once. The ID outputs repeatedly if continuously send the additional clock cycles on SCLK while CS# is at low. If the device was not previously in Deep Power-down mode, the device transition to standby mode is immediate. If the device was previously in Deep Power-down mode, there's a delay of  $t_{RES2}$  to transit to standby mode, and CS# must remain to high at least  $t_{RES2(max)}$ . Once in the standby mode, the device waits to be selected, so it can be receive, decode, and execute instruction.

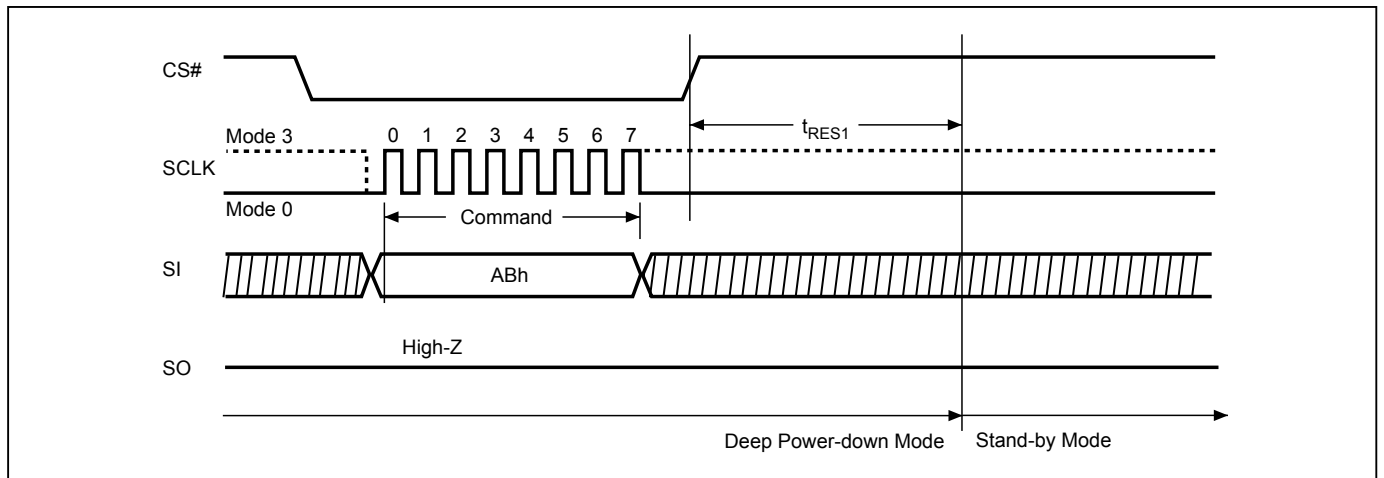
**Figure 17. Read Electronic Signature (RES) Sequence (SPI Mode)**



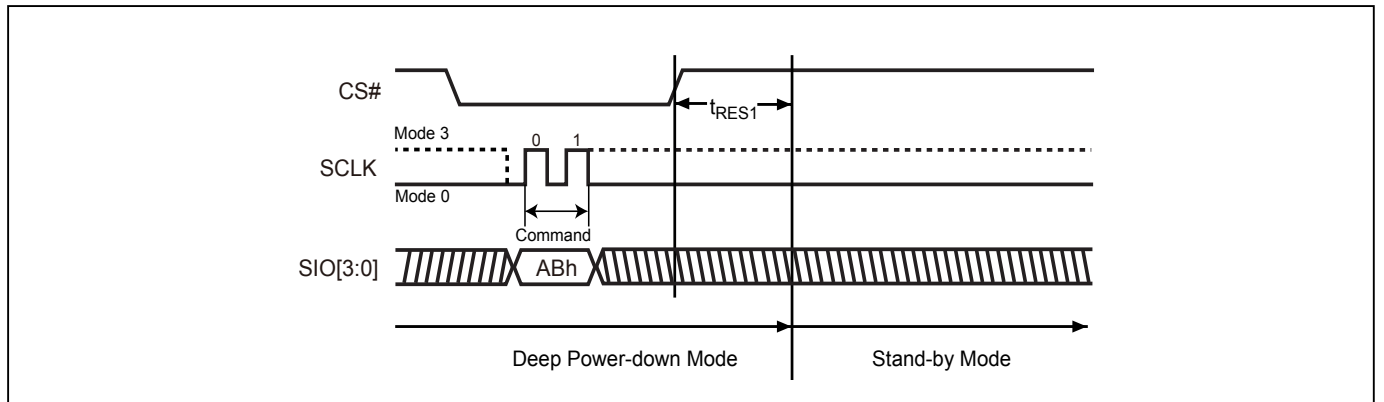
**Figure 18. Read Electronic Signature (RES) Sequence (QPI Mode)**



**Figure 19. Release from Deep Power-down (RDP) Sequence (SPI Mode)**



**Figure 20. Release from Deep Power-down (RDP) Sequence (QPI Mode)**

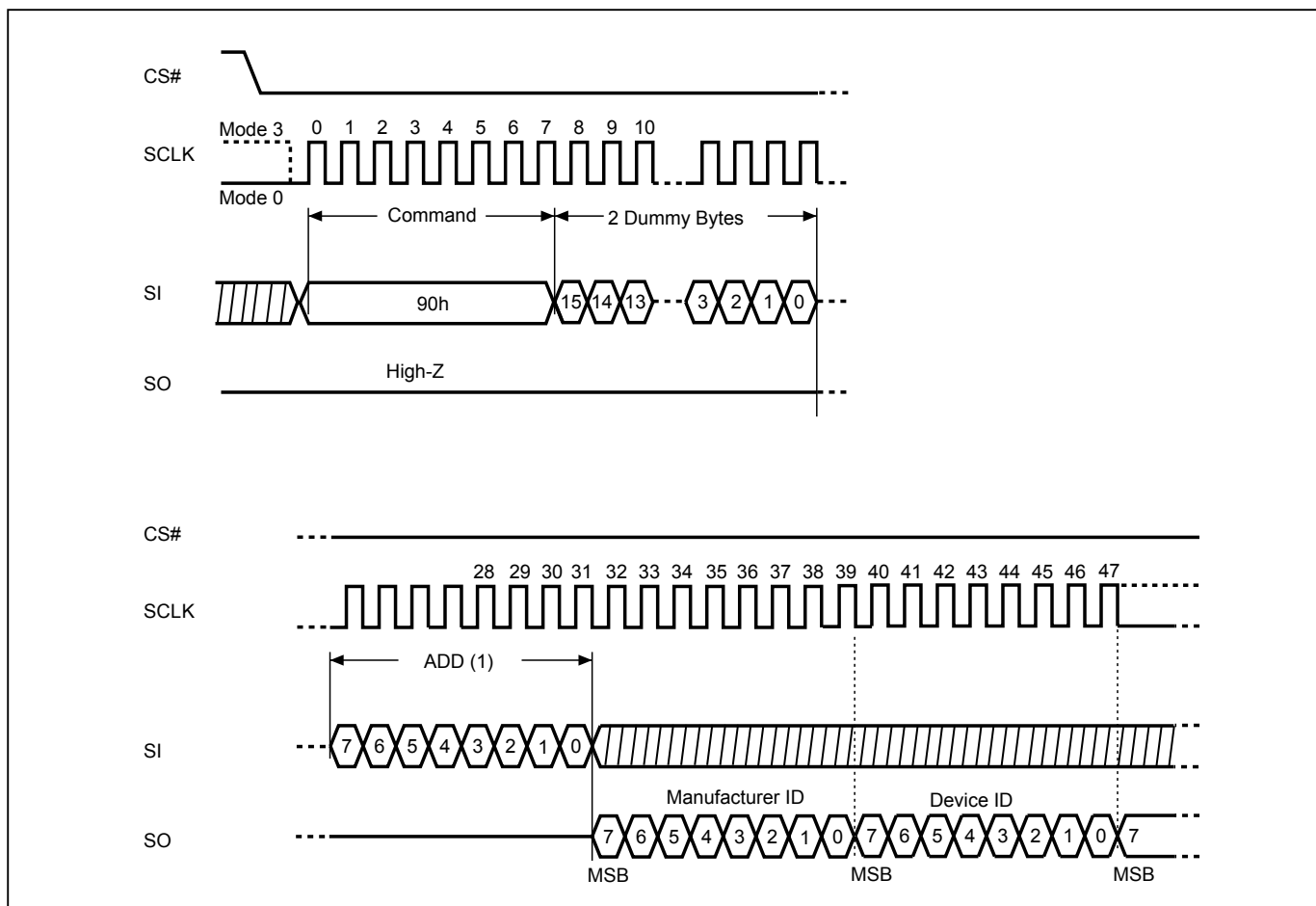


### 10-5. Read Electronic Manufacturer ID & Device ID (REMS)

The REMS instruction returns both the JEDEC assigned manufacturer ID and the device ID. The Device ID values are listed in [Table 11](#) of ID Definitions.

The REMS instruction is initiated by driving the CS# pin low and sending the instruction code "90h" followed by two dummy bytes and one address byte (A7~A0). After which the manufacturer ID for Macronix (C2h) and the device ID are shifted out on the falling edge of SCLK with the most significant bit (MSB) first. If the address byte is 00h, the manufacturer ID will be output first, followed by the device ID. If the address byte is 01h, then the device ID will be output first, followed by the manufacturer ID. While CS# is low, the manufacturer and device IDs can be read continuously, alternating from one to the other. The instruction is completed by driving CS# high.

**Figure 21. Read Electronic Manufacturer & Device ID (REMS) Sequence (SPI Mode only)**



**Notes:**

(1) ADD=00H will output the manufacturer's ID first and ADD=01H will output device ID first.

**10-6. QPI ID Read (QPIID)**

User can execute this QPIID Read instruction to identify the Device ID and Manufacturer ID. The sequence of issue QPIID instruction is CS# goes low→sending QPI ID instruction→Data out on SO→CS# goes high. Most significant bit (MSB) first.

After the command cycle, the device will immediately output data on the falling edge of SCLK. The manufacturer ID, memory type, and device ID data byte will be output continuously, until the CS# goes high.

**Table 11. ID Definitions**

| Command Type |     | MX66U2G45G      |             |                |
|--------------|-----|-----------------|-------------|----------------|
| RDID         | 9Fh | Manufacturer ID | Memory type | Memory density |
|              |     | C2              | 25          | 3C             |
| RES          | ABh | Electronic ID   |             |                |
|              |     | 3C              |             |                |
| REMS         | 90h | Manufacturer ID | Device ID   |                |
|              |     | C2              | 3C          |                |
| QPIID        | AFh | Manufacturer ID | Memory type | Memory density |
|              |     | C2              | 25          | 3C             |

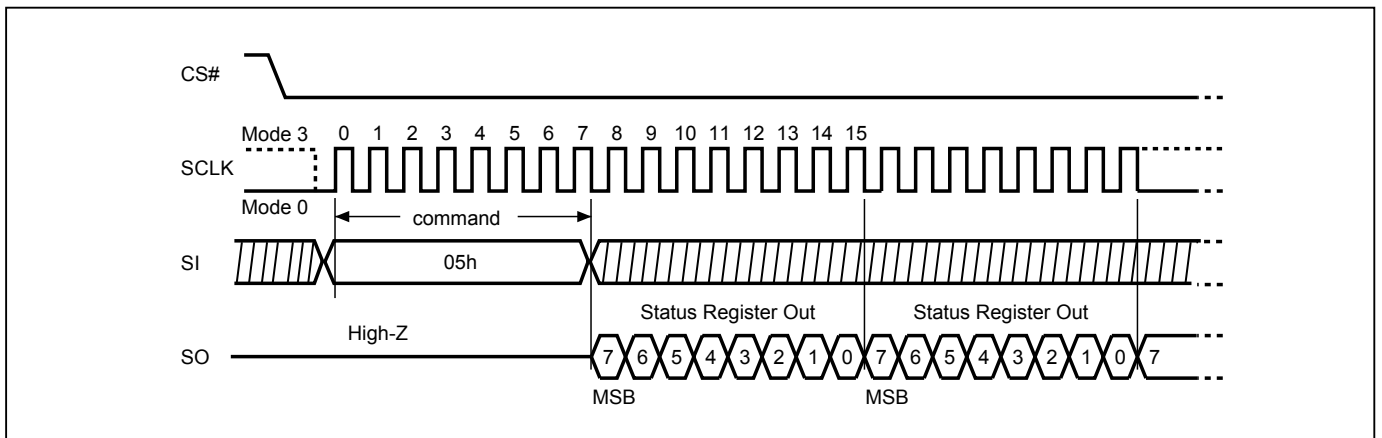
### 10-7. Read Status Register (RDSR)

The RDSR instruction is for reading Status Register Bits. The Read Status Register can be read at any time (even in program/erase/write status register condition). It is recommended to check the Write in Progress (WIP) bit before sending a new instruction when a program, erase, or write status register operation is in progress.

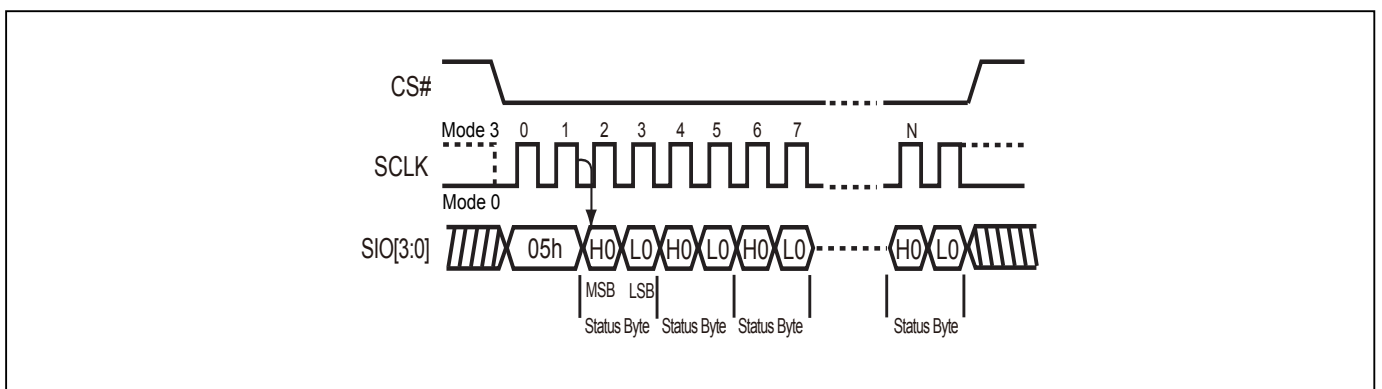
The sequence of issuing RDSR instruction is: CS# goes low → sending RDSR instruction code → Status Register data out on SO.

Both SPI (8 clocks) and QPI (2 clocks) command cycle can accept by this instruction. The SIO[3:1] are don't care when during SPI mode.

**Figure 22. Read Status Register (RDSR) Sequence (SPI Mode)**



**Figure 23. Read Status Register (RDSR) Sequence (QPI Mode)**



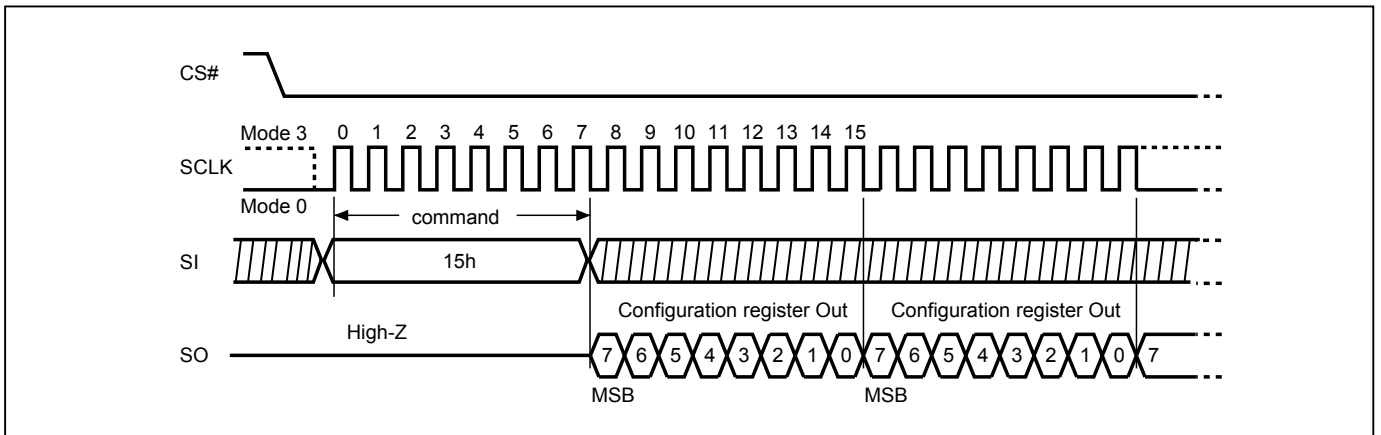
### 10-8. Read Configuration Register (RDCR)

The RDCR instruction is for reading Configuration Register Bits. The Read Configuration Register can be read at any time (even in program/erase/write configuration register condition). It is recommended to check the Write in Progress (WIP) bit before sending a new instruction when a program, erase, or write configuration register operation is in progress.

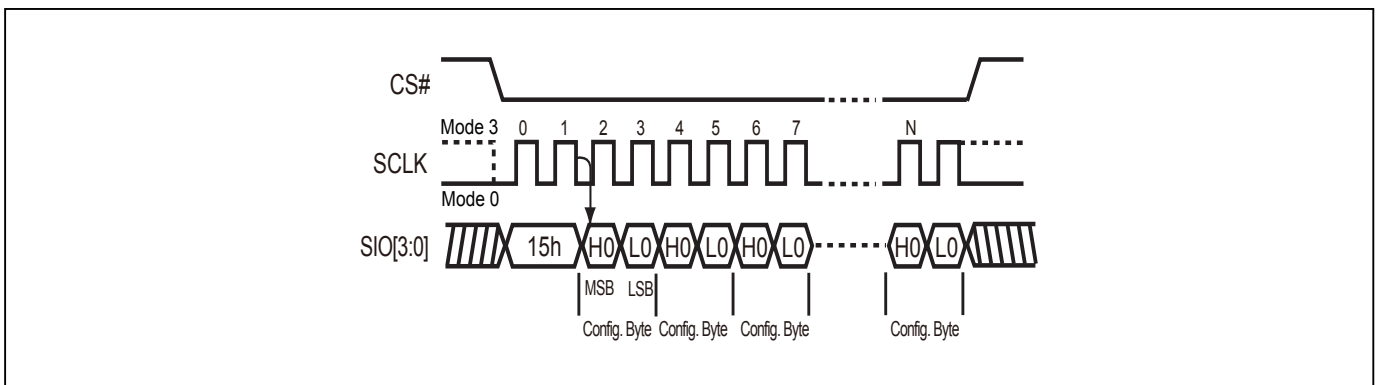
The sequence of issuing RDCR instruction is: CS# goes low → sending RDCR instruction code → Configuration Register data out on SO.

Both SPI (8 clocks) and QPI (2 clocks) command cycle can accept by this instruction. The SIO[3:1] are don't care when during SPI mode.

**Figure 24. Read Configuration Register (RDCR) Sequence (SPI Mode)**



**Figure 25. Read Configuration Register (RDCR) Sequence (QPI Mode)**



For user to check if Program/Erase operation is finished or not, RDSR instruction flow are shown as follows:

**Figure 26. Program/Erase flow with read array data**

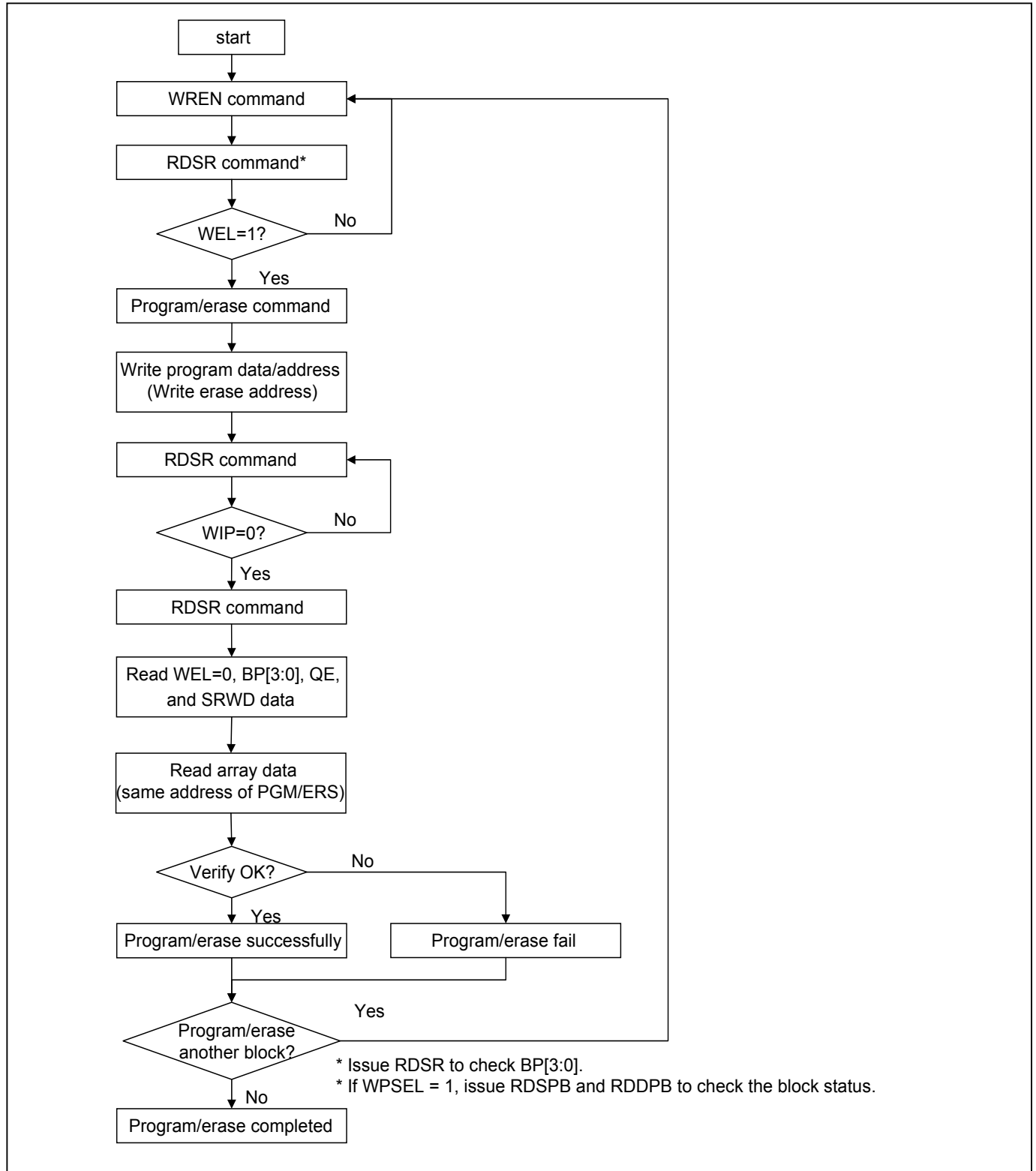
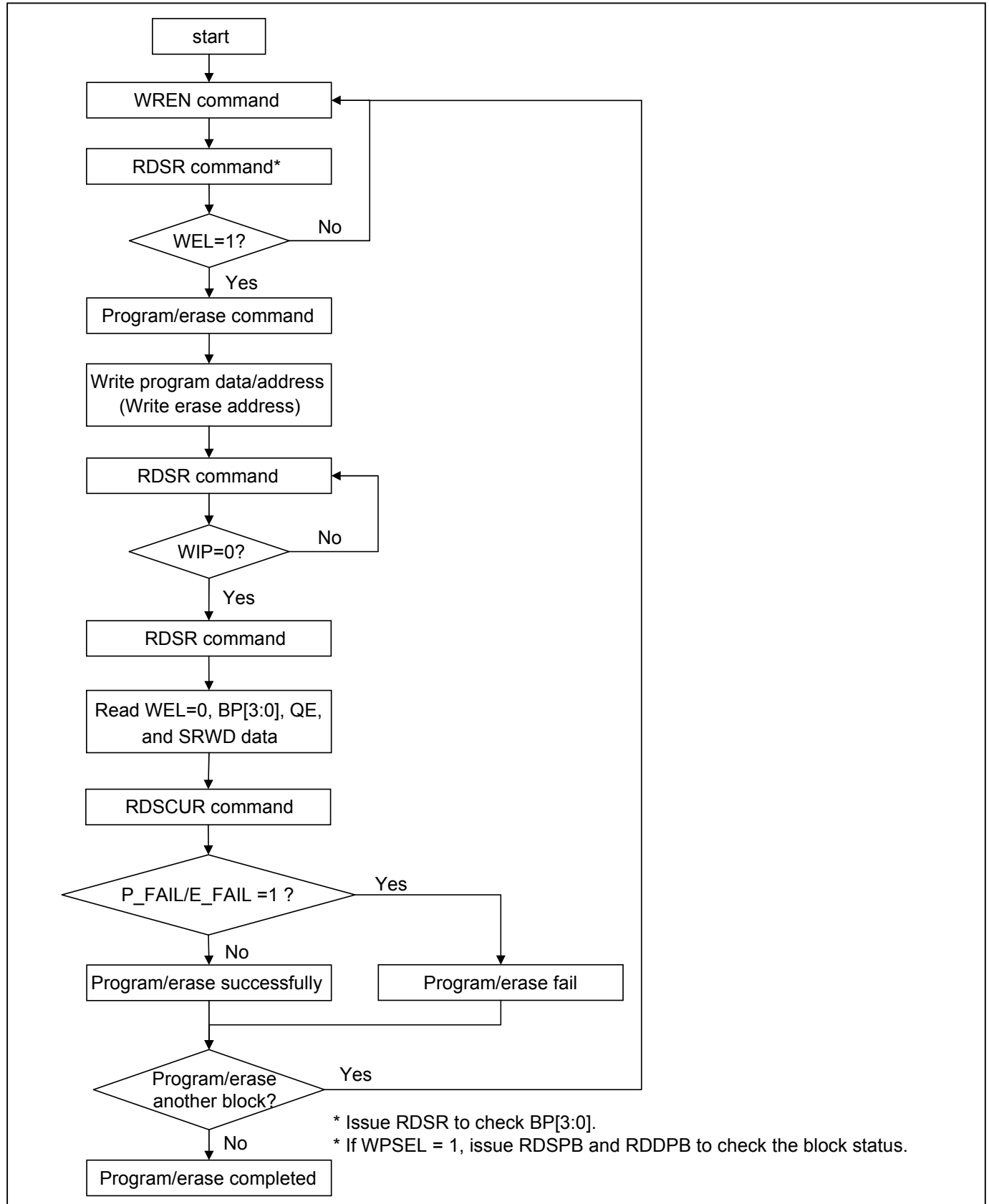


Figure 27. Program/Erase flow without read array data (read P\_FAIL/E\_FAIL flag)





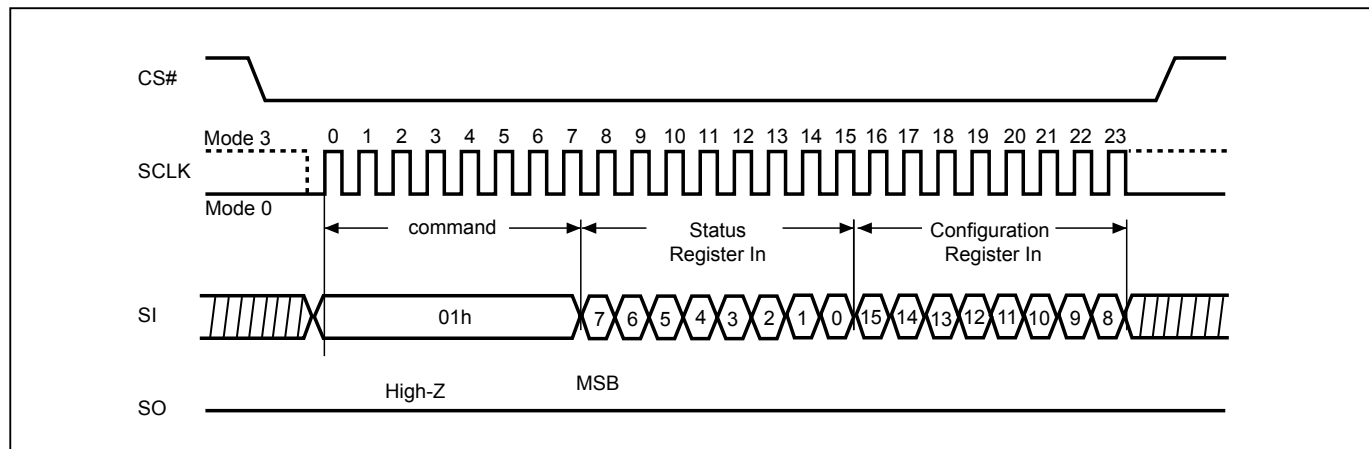
### 10-9. Write Status Register (WRSR)

The WRSR instruction is for changing the values of Status Register Bits and Configuration Register Bits. Before sending WRSR instruction, the Write Enable (WREN) instruction must be decoded and executed to set the Write Enable Latch (WEL) bit in advance. The WRSR instruction can change the value of Block Protect (BP3, BP2, BP1, BP0) bits to define the protected area of memory (as shown in [Table 3](#)). The WRSR also can set or reset the Quad enable (QE) bit and set or reset the Status Register Write Disable (SRWD) bit in accordance with Write Protection (WP#/SIO2) pin signal, but has no effect on bit1(WEL) and bit0 (WIP) of the status register. The WRSR instruction cannot be executed once the Hardware Protected Mode (HPM) is entered.

The sequence of issuing WRSR instruction is: CS# goes low→ sending WRSR instruction code→ Status Register data on SI→CS# goes high.

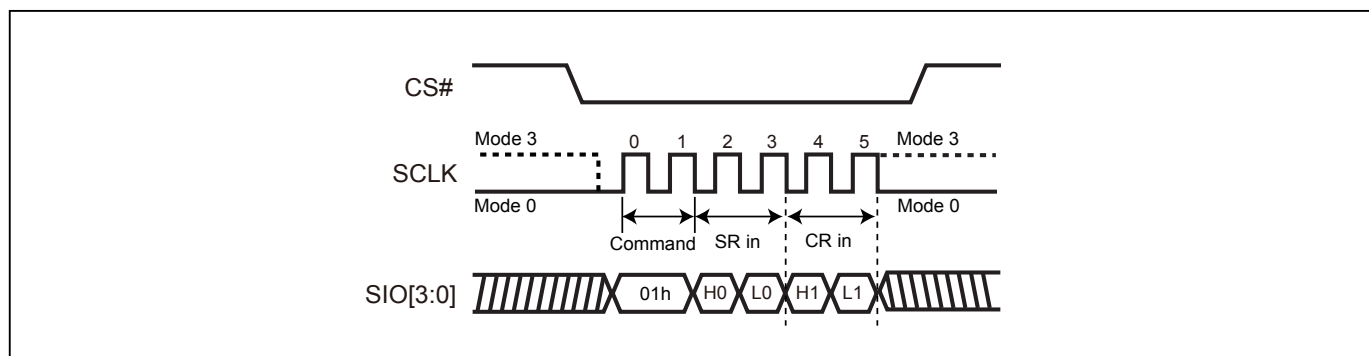
The CS# must go high exactly at the 8 bits or 16 bits data boundary; otherwise, the instruction will be rejected and not executed. The self-timed Write Status Register cycle time (tW) is initiated as soon as Chip Select (CS#) goes high. The Write in Progress (WIP) bit still can be check out during the Write Status Register cycle is in progress. The WIP sets 1 during the tW timing, and sets 0 when Write Status Register Cycle is completed, and the Write Enable Latch (WEL) bit is reset.

**Figure 28. Write Status Register (WRSR) Sequence (SPI Mode)**



Note : The CS# must go high exactly at 8 bits or 16 bits data boundary to completed the write register command.

**Figure 29. Write Status Register (WRSR) Sequence (QPI Mode)**



**Software Protected Mode (SPM):**

- When SRWD bit=0, no matter WP#/SIO2 is low or high, the WREN instruction may set the WEL bit and can change the values of SRWD, BP3, BP2, BP1, BP0. The protected area, which is defined by BP3, BP2, BP1, BP0 and T/B bit, is at software protected mode (SPM).
- When SRWD bit=1 and WP#/SIO2 is high, the WREN instruction may set the WEL bit can change the values of SRWD, BP3, BP2, BP1, BP0. The protected area, which is defined by BP3, BP2, BP1, BP0 and T/B bit, is at software protected mode (SPM)

**Note:**

If SRWD bit=1 but WP#/SIO2 is low, it is impossible to write the Status Register even if the WEL bit has previously been set. It is rejected to write the Status Register and not be executed.

**Hardware Protected Mode (HPM):**

- When SRWD bit=1, and then WP#/SIO2 is low (or WP#/SIO2 is low before SRWD bit=1), it enters the hardware protected mode (HPM). The data of the protected area is protected by software protected mode by BP3, BP2, BP1, BP0 and T/B bit and hardware protected mode by the WP#/SIO2 to against data modification.

**Note:**

To exit the hardware protected mode requires WP#/SIO2 driving high once the hardware protected mode is entered. If the WP#/SIO2 pin is permanently connected to high, the hardware protected mode can never be entered; only can use software protected mode via BP3, BP2, BP1, BP0 and T/B bit.

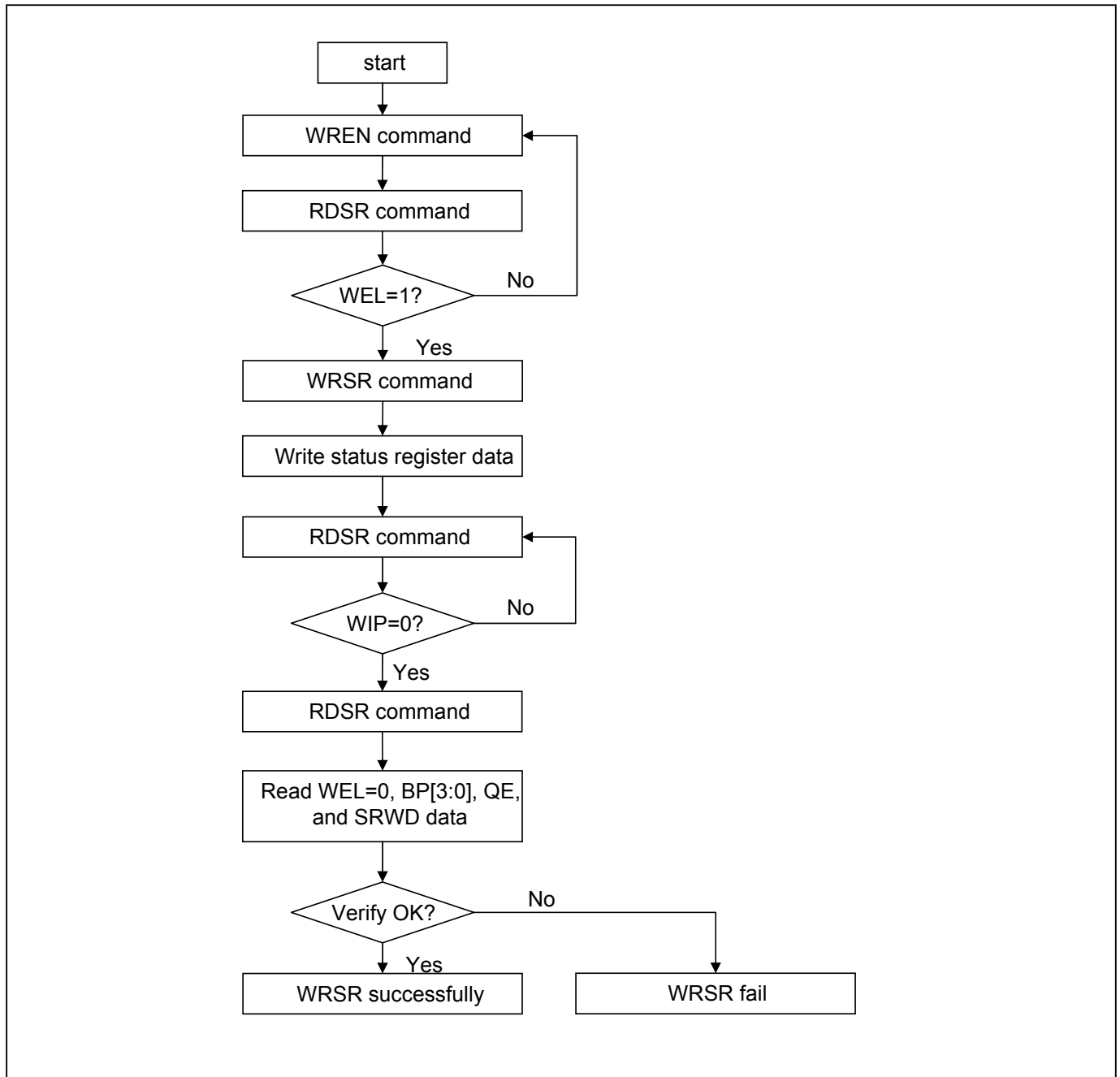
If the system enter QPI or set QE=1, the feature of HPM will be disabled.

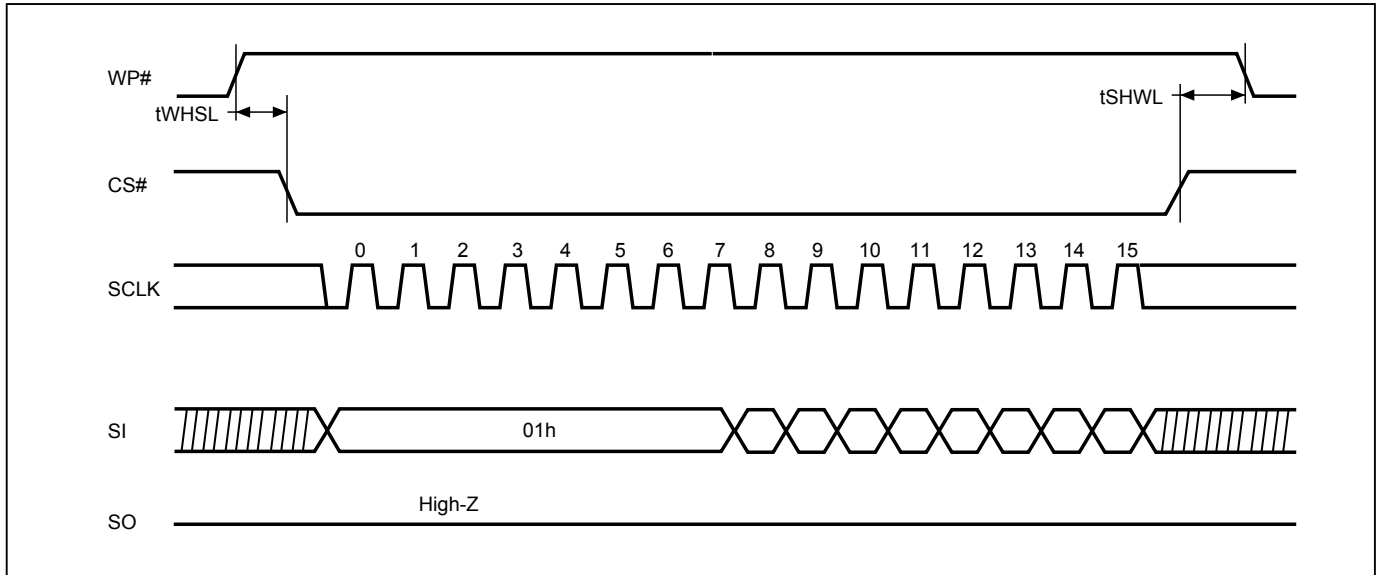
**Table 12. Protection Modes**

| Mode                           | Status register condition   | WP# and SRWD bit status  | Memory   |
|--------------------------------|---|--|--|
| Software protection mode (SPM) | Status register can be written in (WEL bit is set to "1") and the SRWD, BP0-BP3 bits can be changed | WP#=1 and SRWD bit=0, or WP#=0 and SRWD bit=0, or WP#=1 and SRWD=1 | The protected area cannot be program or erase. |
| Hardware protection mode (HPM) | The SRWD, BP0-BP3 of status register bits cannot be changed   | WP#=0, SRWD bit=1  | The protected area cannot be program or erase. |

**Note:**

1. As defined by the values in the Block Protect (BP3, BP2, BP1, BP0) bits of the Status Register, as shown in [Table 3](#).

**Figure 30. WRSR flow**

**Figure 31. WP# Setup Timing and Hold Timing during WRSR when SRWD=1**

Note: WP# must be kept high until the embedded operation finish.

#### **10-10. Enter 4-byte mode (EN4B)**

The EN4B instruction enables accessing the address length of 32-bit for the memory area of higher density (larger than 128Mb). The device default is in 24-bit address mode; after sending out the EN4B instruction, the bit5 (4BYTE bit) of Configuration Register will be automatically set to "1" to indicate the 4-byte address mode has been enabled. Once the 4-byte address mode is enabled, the address length becomes 32-bit instead of the default 24-bit. There are three methods to exit the 4-byte mode: writing exit 4-byte mode (EX4B) instruction, Reset or power-off.

All instructions are accepted normally, and just the address bit is changed from 24-bit to 32-bit.

The following command don't support 4byte address: RDSFDP, RES and REMS.

The sequence of issuing EN4B instruction is: CS# goes low → sending EN4B instruction to enter 4-byte mode( automatically set 4BYTE bit as "1") → CS# goes high.

#### **10-11.Exit 4-byte mode (EX4B)**

The EX4B instruction is executed to exit the 4-byte address mode and return to the default 3-bytes address mode. After sending out the EX4B instruction, the bit5 (4BYTE bit) of Configuration Register will be cleared to be "0" to indicate the exit of the 4-byte address mode. Once exiting the 4-byte address mode, the address length will return to 24-bit.

The sequence of issuing EX4B instruction is: CS# goes low → sending EX4B instruction to exit 4-byte mode (automatically clear the 4BYTE bit to be "0") → CS# goes high.

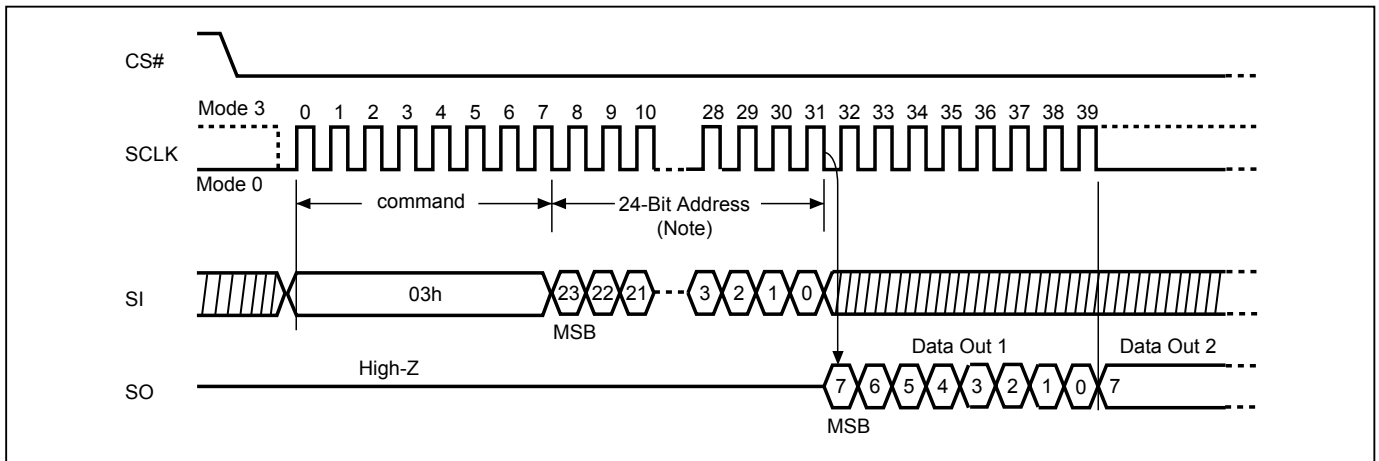
**10-12. Read Data Bytes (READ)**

The read instruction is for reading data out. The address is latched on rising edge of SCLK, and data shifts out on the falling edge of SCLK at a maximum frequency  $f_R$ . The first address byte can be at any location. The address is automatically increased to the next higher address after each byte data is shifted out, so the whole memory can be read out at a single READ instruction. The address counter rolls over to 0 when the highest address has been reached.

The default read mode is 3-byte address, to access higher address (4-byte address) which requires to enter the 4-byte address read mode or to define EAR bit. To enter the 4-byte mode, please refer to the enter 4-byte mode (EN4B) Mode section.

The sequence of issuing READ instruction is: CS# goes low→sending READ instruction code→ 3-byte or 4-byte address on SI→ data out on SO→to end READ operation can use CS# to high at any time during data out.

**Figure 32. Read Data Bytes (READ) Sequence (SPI Mode only)**



Note: Please note the address cycles above are based on 3-byte address mode. For 4-byte address mode, the address cycles will be increased.

### 10-13. Read Data Bytes at Higher Speed (FAST\_READ)

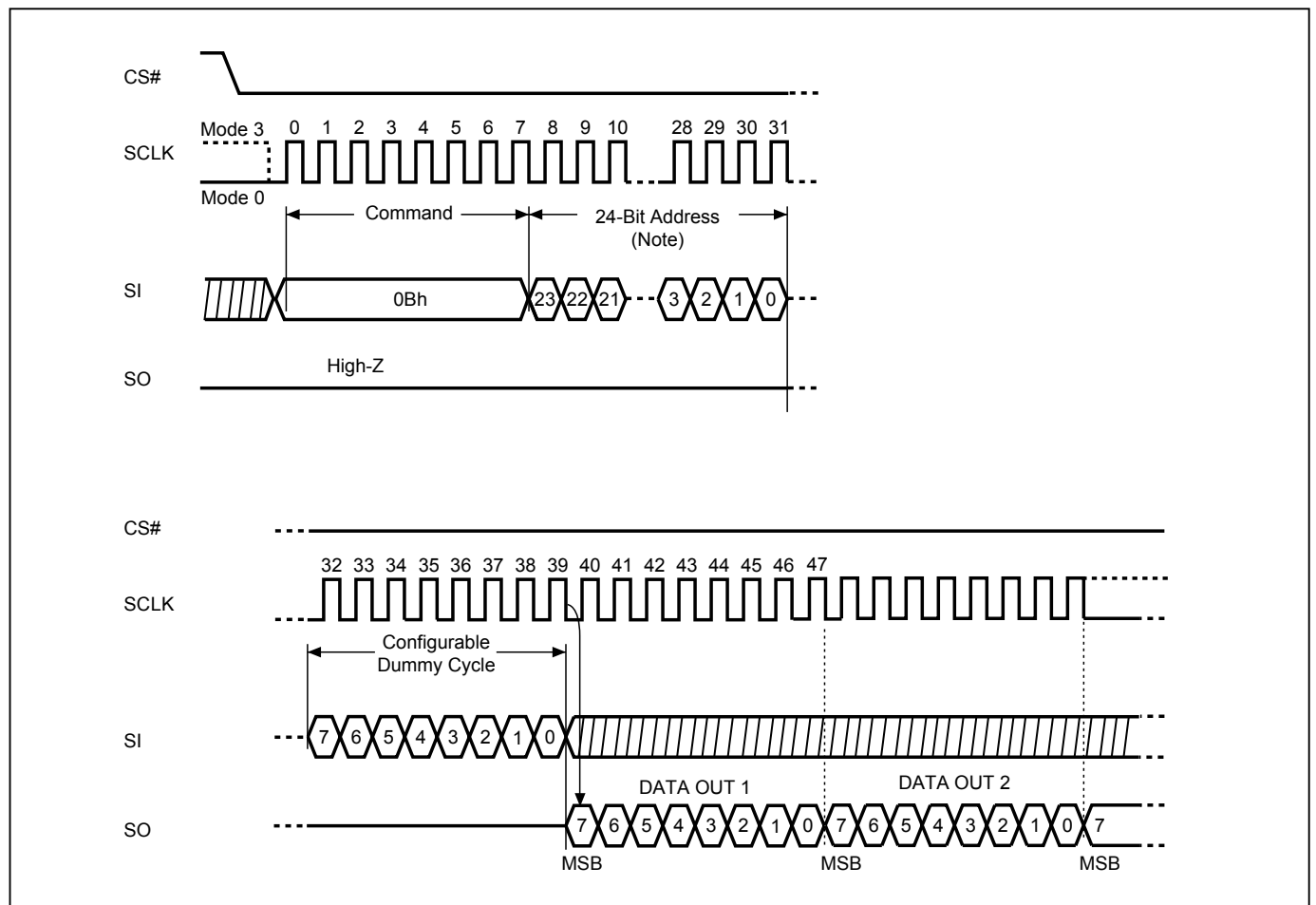
The FAST\_READ instruction is for quickly reading data out. The address is latched on rising edge of SCLK, and data of each bit shifts out on the falling edge of SCLK at a maximum frequency  $f_C$ . The first address byte can be at any location. The address is automatically increased to the next higher address after each byte data is shifted out, so the whole memory can be read out at a single FAST\_READ instruction. The address counter rolls over to 0 when the highest address has been reached.

The default read mode is 3-byte address, to access higher address (4-byte address) which requires to enter the 4-byte address read mode or to define EAR bit. To enter the 4-byte mode, please refer to the enter 4-byte mode (EN4B) Mode section.

**Read on SPI Mode** The sequence of issuing FAST\_READ instruction is: CS# goes low→ sending FAST\_READ instruction code→ 3-byte or 4-byte address on SI→ 8 dummy cycles (default)→ data out on SO→ to end FAST\_READ operation can use CS# to high at any time during data out.

While Program/Erase/Write Status Register cycle is in progress, FAST\_READ instruction is rejected without any impact on the Program/Erase/Write Status Register current cycle.

**Figure 33. Read at Higher Speed (FAST\_READ) Sequence (SPI Mode)**



Note: Please note the address cycles above are based on 3-byte address mode. For 4-byte address mode, the address cycles will be increased.

### 10-14. Dual Output Read Mode (DREAD)

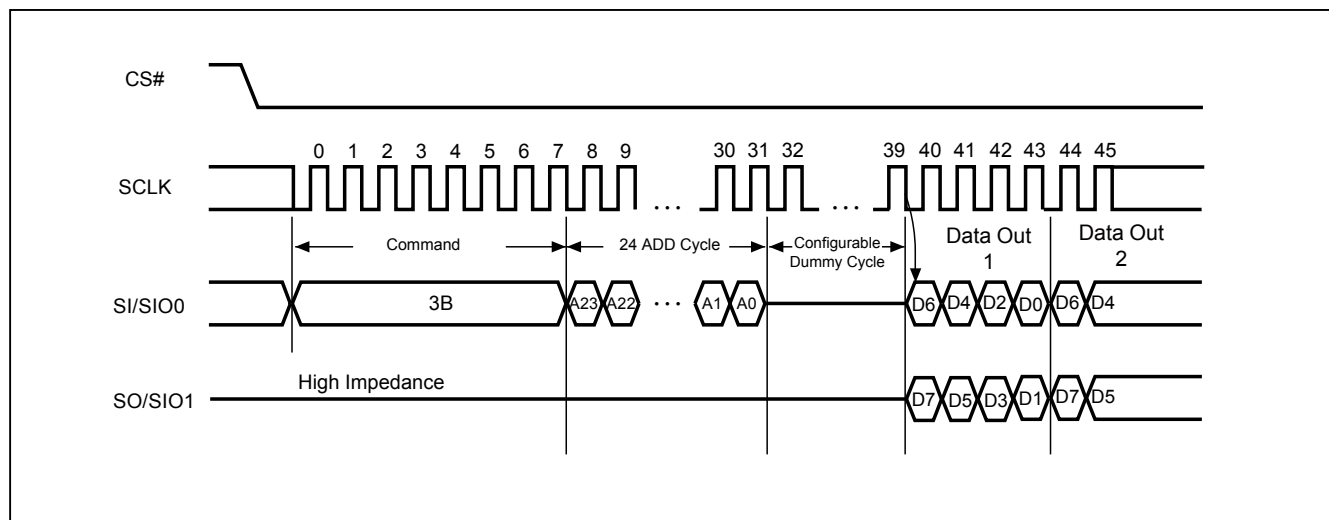
The DREAD instruction enable double throughput of Serial NOR Flash in read mode. The address is latched on rising edge of SCLK, and data of every two bits (interleave on 2 I/O pins) shift out on the falling edge of SCLK at a maximum frequency  $f_T$ . The first address byte can be at any location. The address is automatically increased to the next higher address after each byte data is shifted out, so the whole memory can be read out at a single DREAD instruction. The address counter rolls over to 0 when the highest address has been reached. Once writing DREAD instruction, the following data out will perform as 2-bit instead of previous 1-bit.

The default read mode is 3-byte address, to access higher address (4-byte address) which requires to enter the 4-byte address read mode or to define EAR bit. To enter the 4-byte mode, please refer to the enter 4-byte mode (EN4B) Mode section.

The sequence of issuing DREAD instruction is: CS# goes low → sending DREAD instruction → 3-byte or 4-byte address on SIO0 → 8 dummy cycles (default) on SIO0 → data out interleave on SIO1 & SIO0 → to end DREAD operation can use CS# to high at any time during data out.

While Program/Erase/Write Status Register cycle is in progress, DREAD instruction is rejected without any impact on the Program/Erase/Write Status Register current cycle.

**Figure 34. Dual Read Mode Sequence**



**Notes:**

1. Please note the above address cycles are base on 3-byte address mode, for 4-byte address mode, the address cycles will be increased.
2. Configuration Dummy cycle numbers will be different depending on the bit6 & bit7 (DC0 & DC1) setting in configuration register.



**10-15. 2 x I/O Read Mode (2READ)**

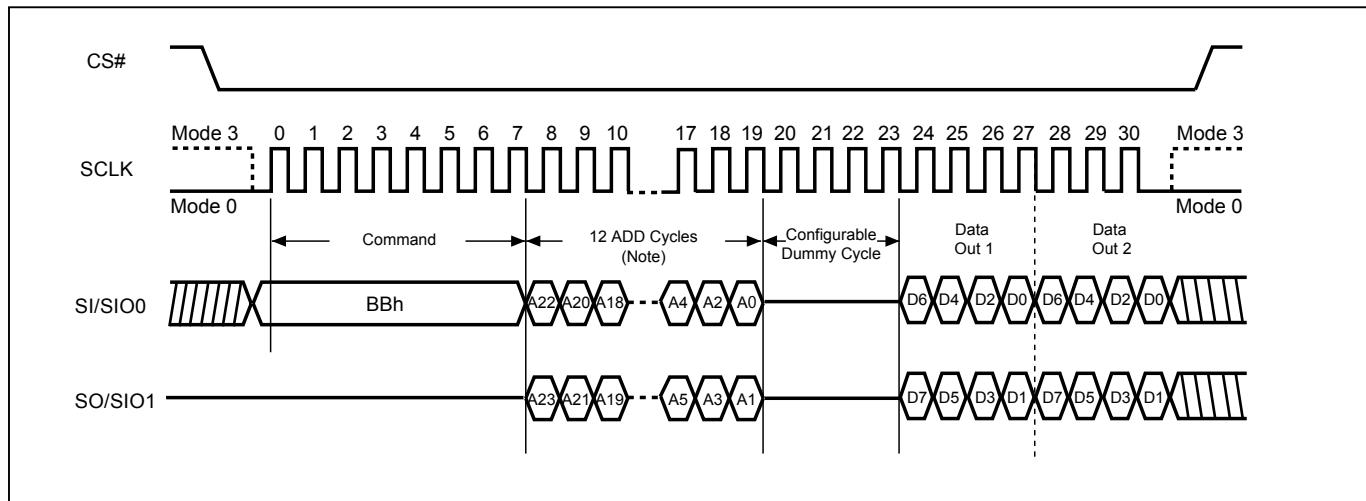
The 2READ instruction enable double throughput of Serial NOR Flash in read mode. The address is latched on rising edge of SCLK, and data of every two bits (interleave on 2 I/O pins) shift out on the falling edge of SCLK at a maximum frequency FT. The first address byte can be at any location. The address is automatically increased to the next higher address after each byte data is shifted out, so the whole memory can be read out at a single 2READ instruction. The address counter rolls over to 0 when the highest address has been reached. Once writing 2READ instruction, the following address/dummy/data out will perform as 2-bit instead of previous 1-bit.

The default read mode is 3-byte address, to access higher address (4-byte address) which requires to enter the 4-byte address read mode or to define EAR bit. To enter the 4-byte mode, please refer to the enter 4-byte mode (EN4B) Mode section.

The sequence of issuing 2READ instruction is: CS# goes low→ sending 2READ instruction→ 3-byte or 4-byte address interleave on SIO1 & SIO0→ 4 dummy cycles (default) on SIO1 & SIO0→ data out interleave on SIO1 & SIO0→ to end 2READ operation can use CS# to high at any time during data out.

While Program/Erase/Write Status Register cycle is in progress, 2READ instruction is rejected without any impact on the Program/Erase/Write Status Register current cycle.

**Figure 35. 2 x I/O Read Mode Sequence (SPI Mode only)**



**Notes:**

1. Please note the above address cycles are base on 3-byte address mode, for 4-byte address mode, the address cycles will be increased.
2. Configuration Dummy cycle numbers will be different depending on the bit6 & bit7 (DC0 & DC1) setting in configuration register.

### 10-16. Quad Read Mode (QREAD)

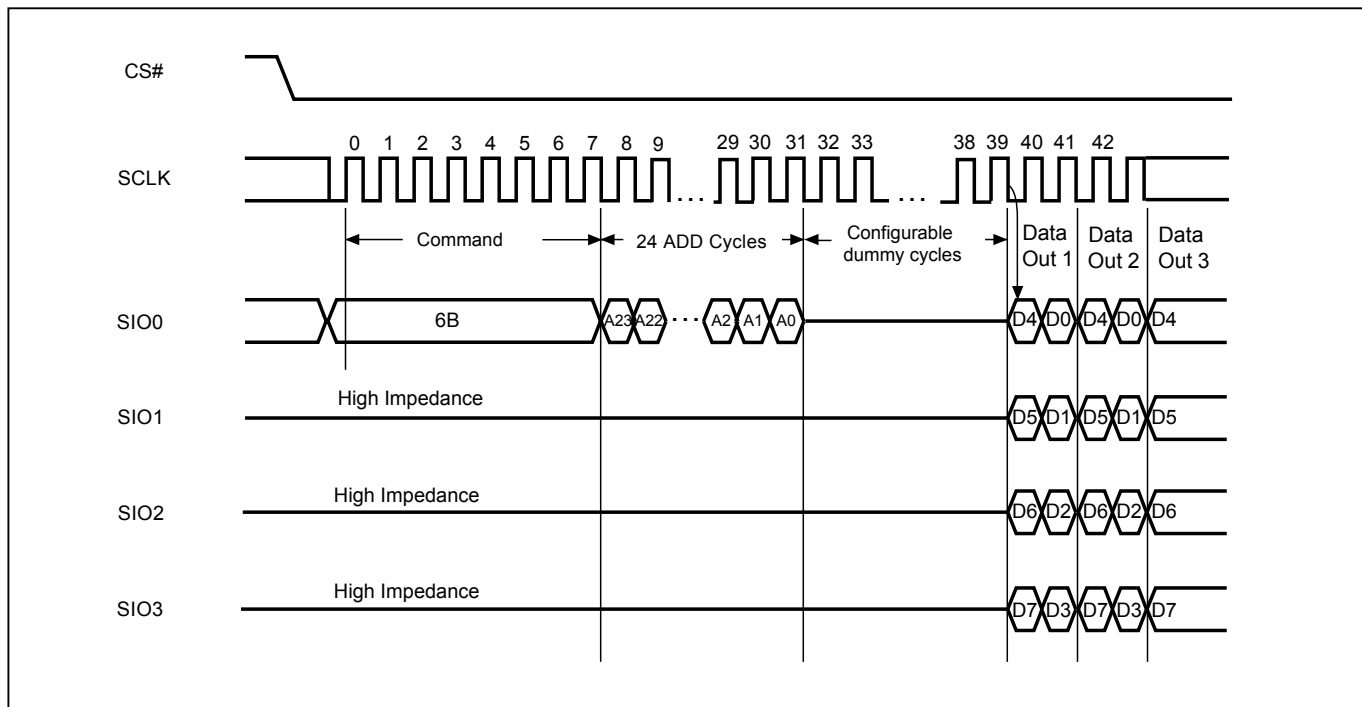
The QREAD instruction enable quad throughput of Serial NOR Flash in read mode. The address is latched on rising edge of SCLK, and data of every four bits (interleave on 4 I/O pins) shift out on the falling edge of SCLK at a maximum frequency  $f_Q$ . The first address byte can be at any location. The address is automatically increased to the next higher address after each byte data is shifted out, so the whole memory can be read out at a single QREAD instruction. The address counter rolls over to 0 when the highest address has been reached. Once writing QREAD instruction, the following data out will perform as 4-bit instead of previous 1-bit.

The default read mode is 3-byte address, to access higher address (4-byte address) which requires to enter the 4-byte address read mode or to define EAR bit. To enter the 4-byte mode, please refer to the enter 4-byte mode (EN4B) Mode section.

The sequence of issuing QREAD instruction is: CS# goes low → sending QREAD instruction → 3-byte or 4-byte address on SI → 8 dummy cycle (Default) → data out interleave on SIO3, SIO2, SIO1 & SIO0 → to end QREAD operation can use CS# to high at any time during data out.

While Program/Erase/Write Status Register cycle is in progress, QREAD instruction is rejected without any impact on the Program/Erase/Write Status Register current cycle.

**Figure 36. Quad Read Mode Sequence**



**Notes:**

1. Please note the above address cycles are base on 3-byte address mode, for 4-byte address mode, the address cycles will be increased.
2. Configuration Dummy cycle numbers will be different depending on the bit6 & bit7 (DC0 & DC1) setting in configuration register.

**10-17. 4 x I/O Read Mode (4READ)**

The 4READ instruction enable quad throughput of Serial NOR Flash in read mode. A Quad Enable (QE) bit of status Register must be set to "1" before sending the 4READ instruction. The address is latched on rising edge of SCLK, and data of every four bits (interleave on 4 I/O pins) shift out on the falling edge of SCLK at a maximum frequency fQ. The first address byte can be at any location. The address is automatically increased to the next higher address after each byte data is shifted out, so the whole memory can be read out at a single 4READ instruction. The address counter rolls over to 0 when the highest address has been reached. Once writing 4READ instruction, the following address/dummy/data out will perform as 4-bit instead of previous 1-bit.

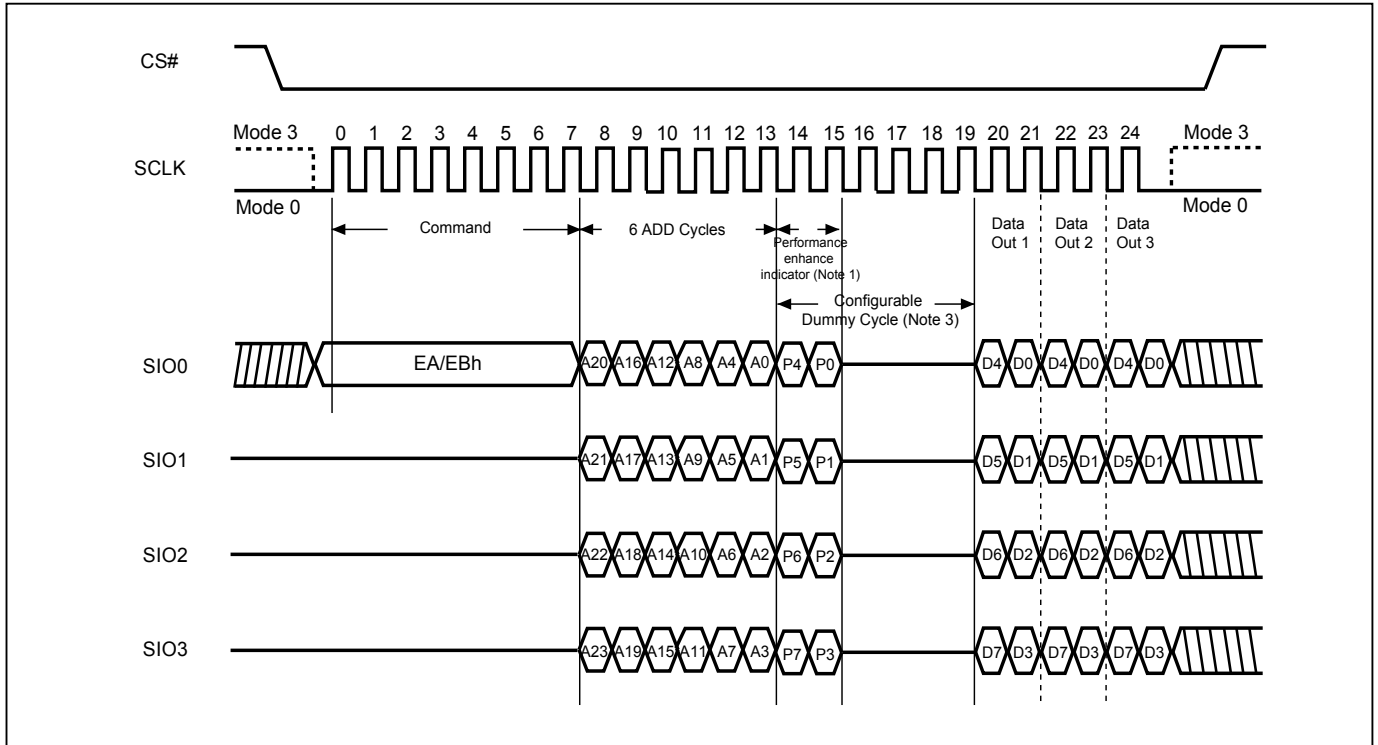
The default read mode is 3-byte address, to access higher address (4-byte address) which requires to enter the 4-byte address read mode or to define EAR bit. To enter the 4-byte mode, please refer to the enter 4-byte mode (EN4B) Mode section.

**4 x I/O Read on SPI Mode (4READ)** The sequence of issuing 4READ instruction is: CS# goes low→ sending 4READ instruction→ 3-byte or 4-byte address interleave on SIO3, SIO2, SIO1 & SIO0→ 6 dummy cycles (Default) →data out interleave on SIO3, SIO2, SIO1 & SIO0→ to end 4READ operation can use CS# to high at any time during data out.

**4 x I/O Read on QPI Mode (4READ)** The 4READ instruction also support on QPI command mode. The sequence of issuing 4READ instruction QPI mode is: CS# goes low→ sending 4READ instruction→ 3-byte or 4-byte address interleave on SIO3, SIO2, SIO1 & SIO0→ 6 dummy cycles (Default) →data out interleave on SIO3, SIO2, SIO1 & SIO0→ to end 4READ operation can use CS# to high at any time during data out.

While Program/Erase/Write Status Register cycle is in progress, 4READ instruction is rejected without any impact on the Program/Erase/Write Status Register current cycle.

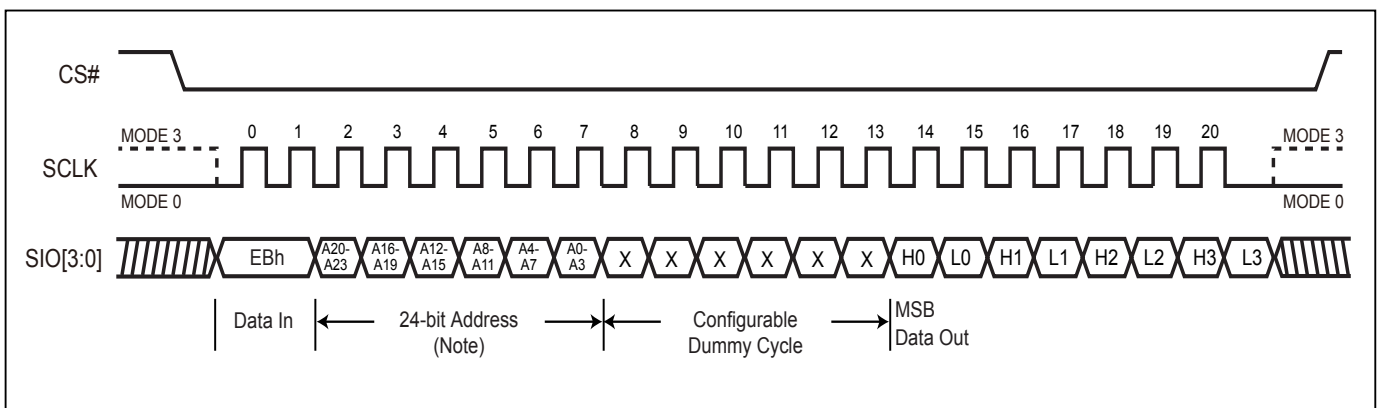
**Figure 37. 4 x I/O Read Mode Sequence (SPI Mode)**



**Notes:**

1. Hi-impedance is inhibited for the two clock cycles.
2. P7≠P3, P6≠P2, P5≠P1 & P4≠P0 (Toggling) is inhibited.
3. Configuration Dummy cycle numbers will be different depending on the bit6 & bit7 (DC0 & DC1) setting in configuration register.
4. Please note the address cycles above are based on 3-byte address mode. For 4-byte address mode, the address cycles will be increased.

**Figure 38. 4 x I/O Read Mode Sequence (QPI Mode)**



**Notes:**

1. Please note the above address cycles are base on 3-byte address mode, for 4-byte address mode, the address cycles will be increased.
2. Configuration Dummy cycle numbers will be different depending on the bit6 & bit7 (DC0 & DC1) setting in configuration register.

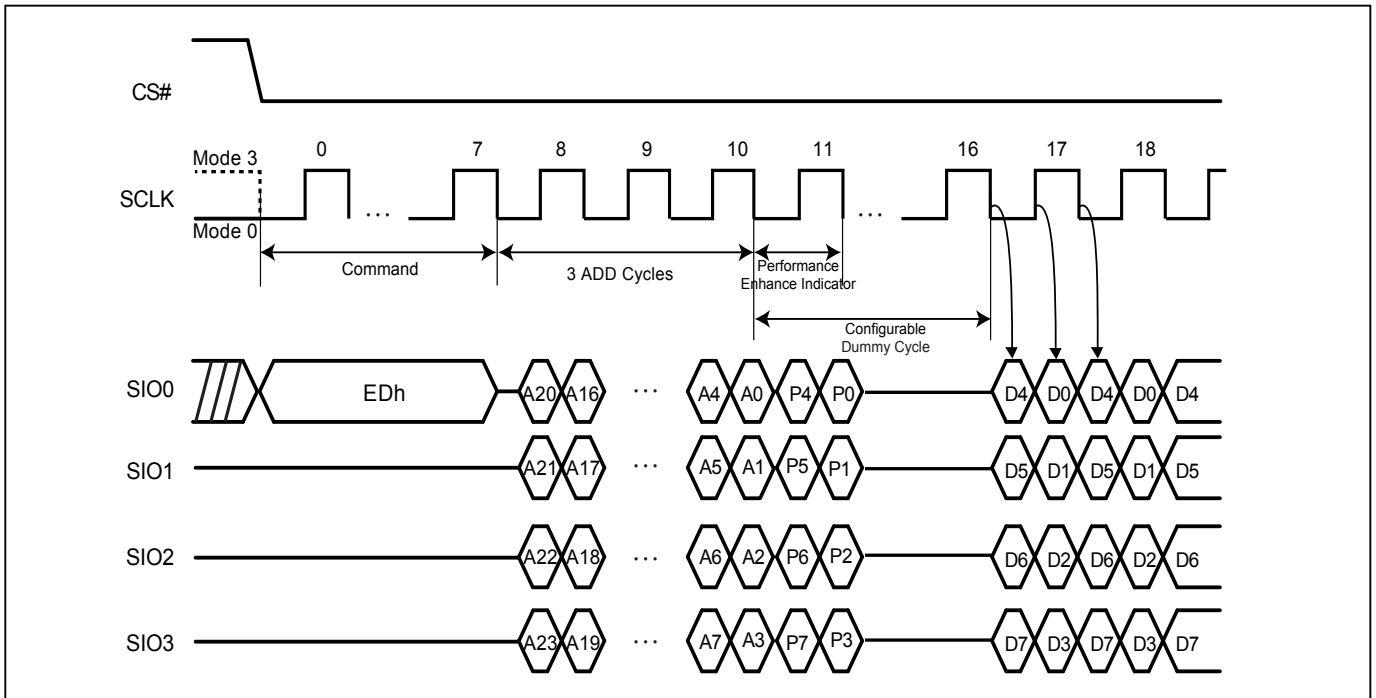
#### **10-18. 4 x I/O Double Transfer Rate Read Mode (4DTRD)**

The 4DTRD instruction enables Double Transfer Rate throughput on quad I/O of Serial NOR Flash in read mode. A Quad Enable (QE) bit of status Register must be set to "1" before sending the 4DTRD instruction. The address (interleave on 4 I/O pins) is latched on both rising and falling edge of SCLK, and data (interleave on 4 I/O pins) shift out on both rising and falling edge of SCLK. The 8-bit address can be latched-in at one clock, and 8-bit data can be read out at one clock, which means four bits at rising edge of clock, the other four bits at falling edge of clock. The first address byte can be at any location. The address is automatically increased to the next higher address after each byte data is shifted out, so the whole memory can be read out at a single 4DTRD instruction. The address counter rolls over to 0 when the highest address has been reached. Once writing 4DTRD instruction, the following address/dummy/data out will perform as 8-bit instead of previous 1-bit.

Both SPI (8 clocks) and QPI (2 clocks) command cycle can accept by this instruction. The SIO[3:1] are don't care when during SPI mode.

While Program/Erase/Write Status Register cycle is in progress, 4DTRD instruction is rejected without any impact on the Program/Erase/Write Status Register current cycle.

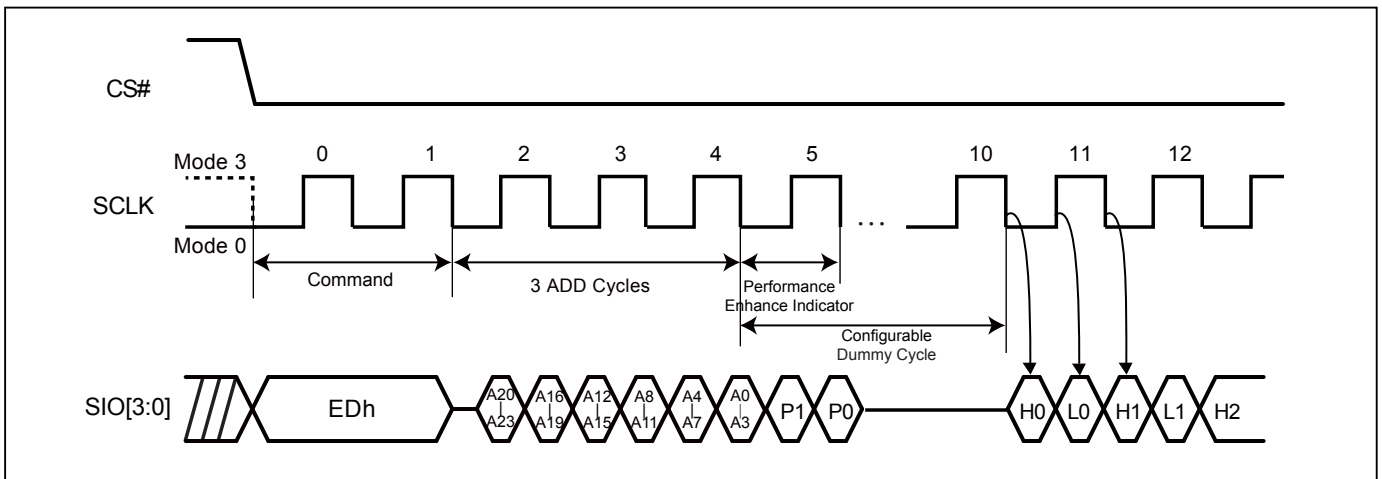
**Figure 39. Fast Quad I/O DT Read (4DTRD) Sequence (SPI Mode)**



**Notes:**

1. Hi-impedance is inhibited for this clock cycle.
2. P7≠P3, P6≠P2, P5≠P1 & P4≠P0 (Toggling) will result in entering the performance enhance mode.
3. Configuration Dummy cycle numbers will be different depending on the bit6 & bit 7 (DC0 & DC1) setting in configuration register.
4. Please note the address cycles above are based on 3-byte address mode. For 4-byte address mode, the address cycles will be increased.

**Figure 40. Fast Quad I/O DT Read (4DTRD) Sequence (QPI Mode)**



**Notes:**

1. Please note the address cycles above are based on 3-byte address mode. For 4-byte address mode, the address cycles will be increased.
2. Configuration Dummy cycle numbers will be different depending on the bit6 & bit 7 (DC0 & DC1) setting in configuration register.

### 10-19. Preamble Bit

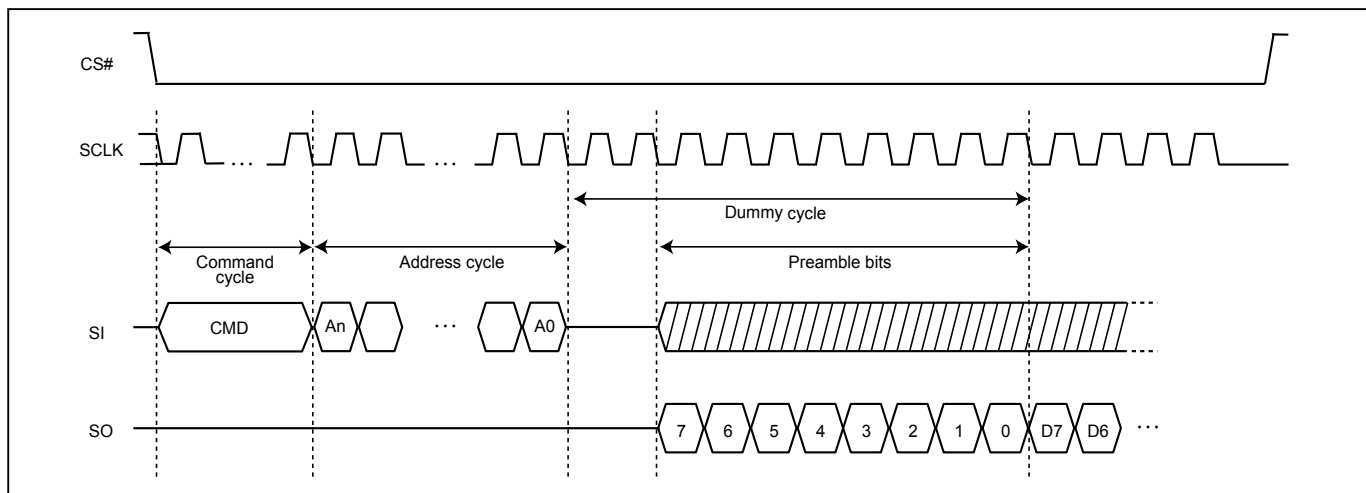
The Preamble Bit data pattern supports system/memory controller to determine valid window of data output more easily and improve data capture reliability while the flash memory is running in high frequency.

Preamble Bit data pattern can be enabled or disabled by setting the bit4 of Configuration register (Preamble bit Enable bit). Once the CR<4> is set, the preamble bit is inputted into dummy cycles.

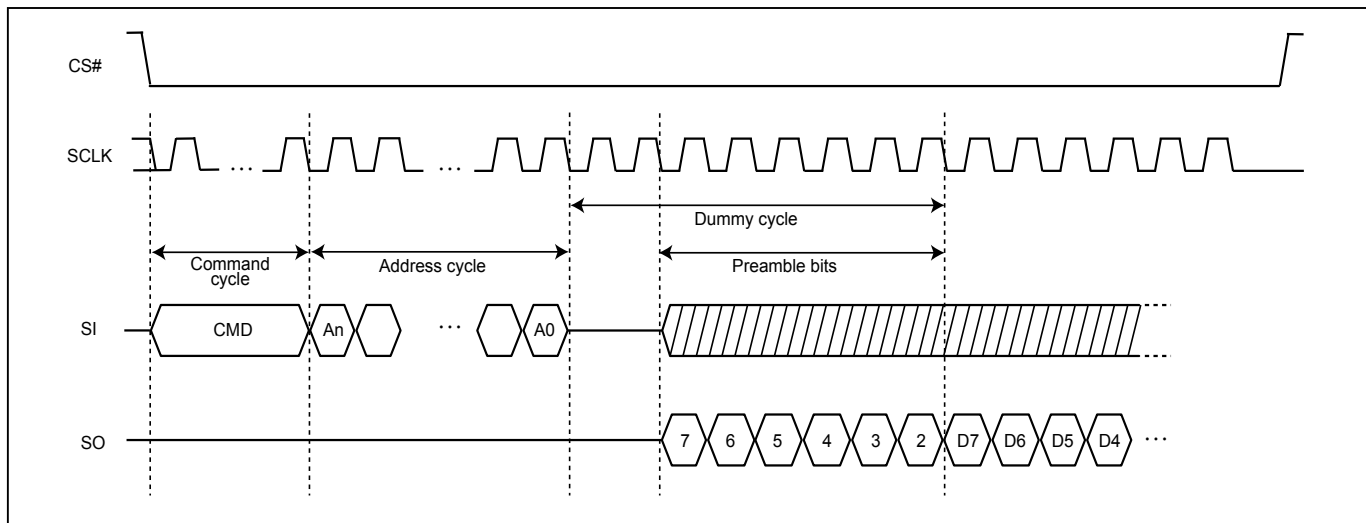
Enabling preamble bit will not affect the function of enhance mode bit. In Dummy cycles, performance enhance mode bit still operates with the same function. Preamble bit will output after performance enhance mode bit.

The preamble bit is a fixed 8-bit data pattern (00110100). While dummy cycle number reaches 10, the complete 8 bits will start to output right after the performance enhance mode bit. While dummy cycle is not sufficient of 10 cycles, the rest of the preamble bits will be cut. For example, 8 dummy cycles will cause 6 preamble bits to output, and 6 dummy cycles will cause 4 preamble bits to output.

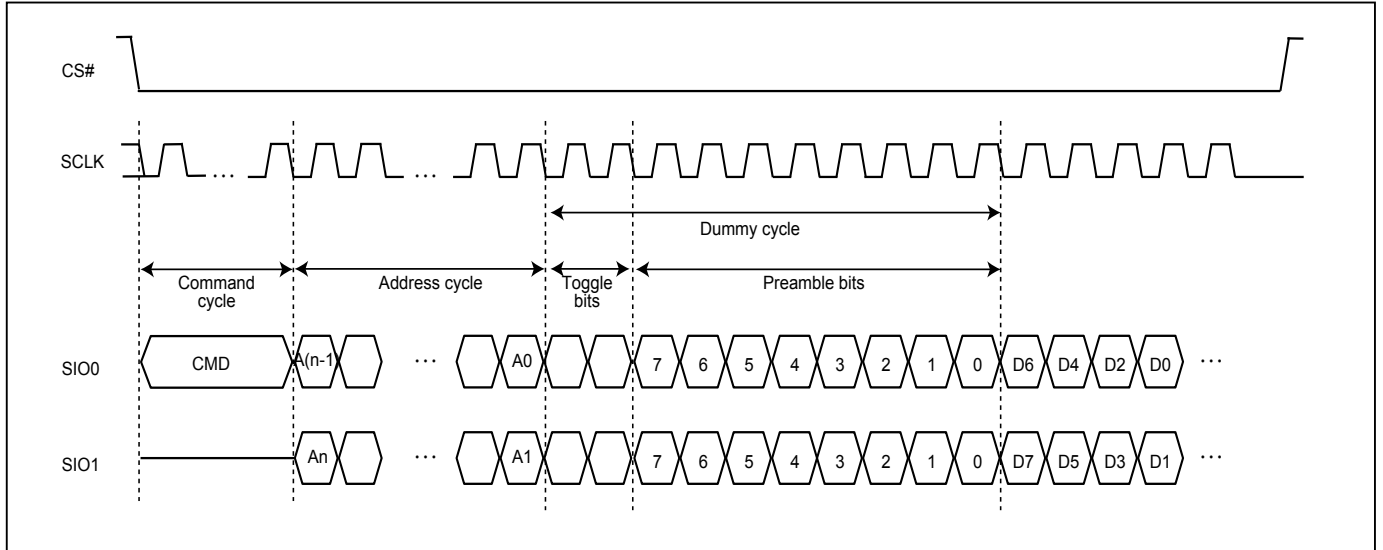
**Figure 41. SDR 1I/O (10DC)**



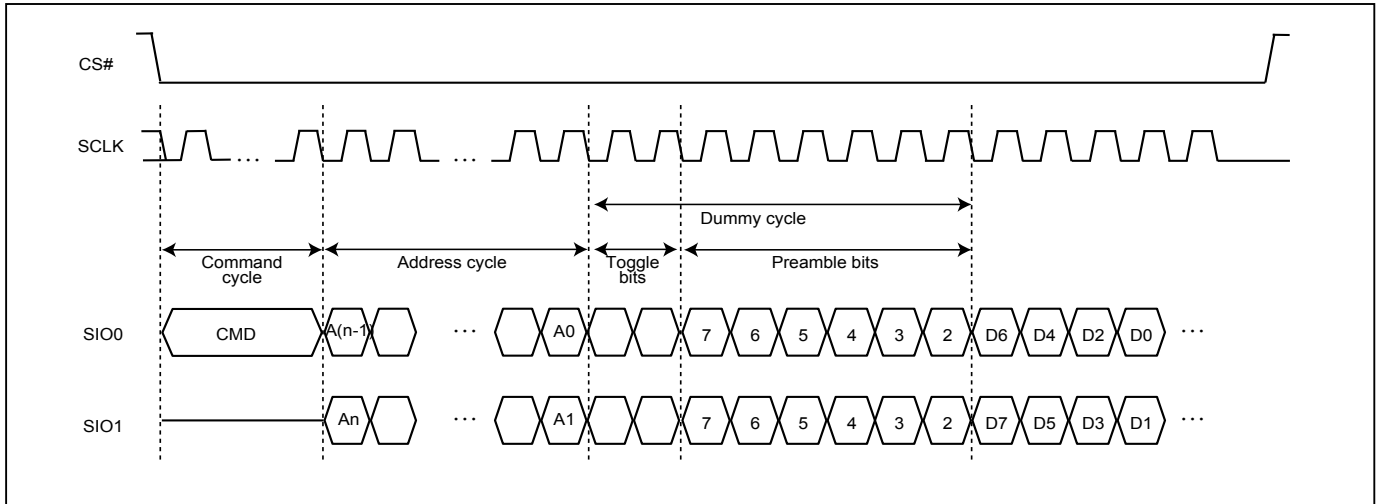
**Figure 42. SDR 1I/O (8DC)**



**Figure 43. SDR 2I/O (10DC)**

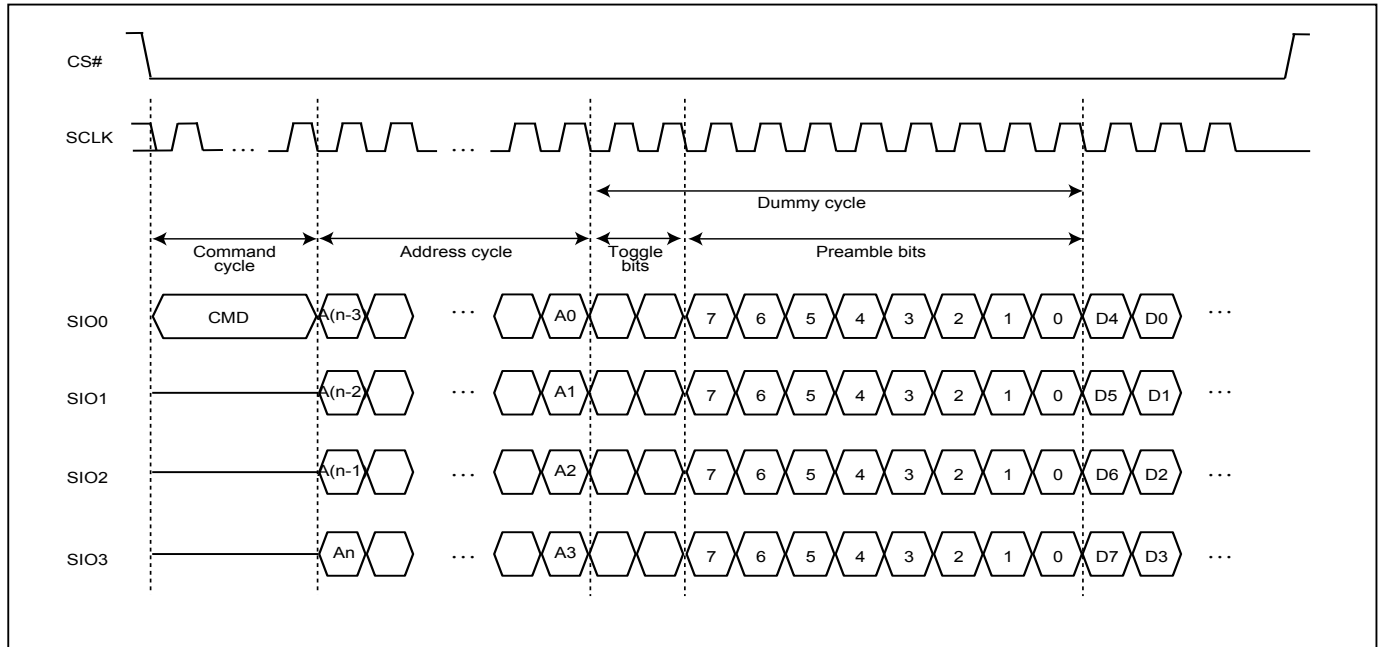


**Figure 44. SDR 2I/O (8DC)**

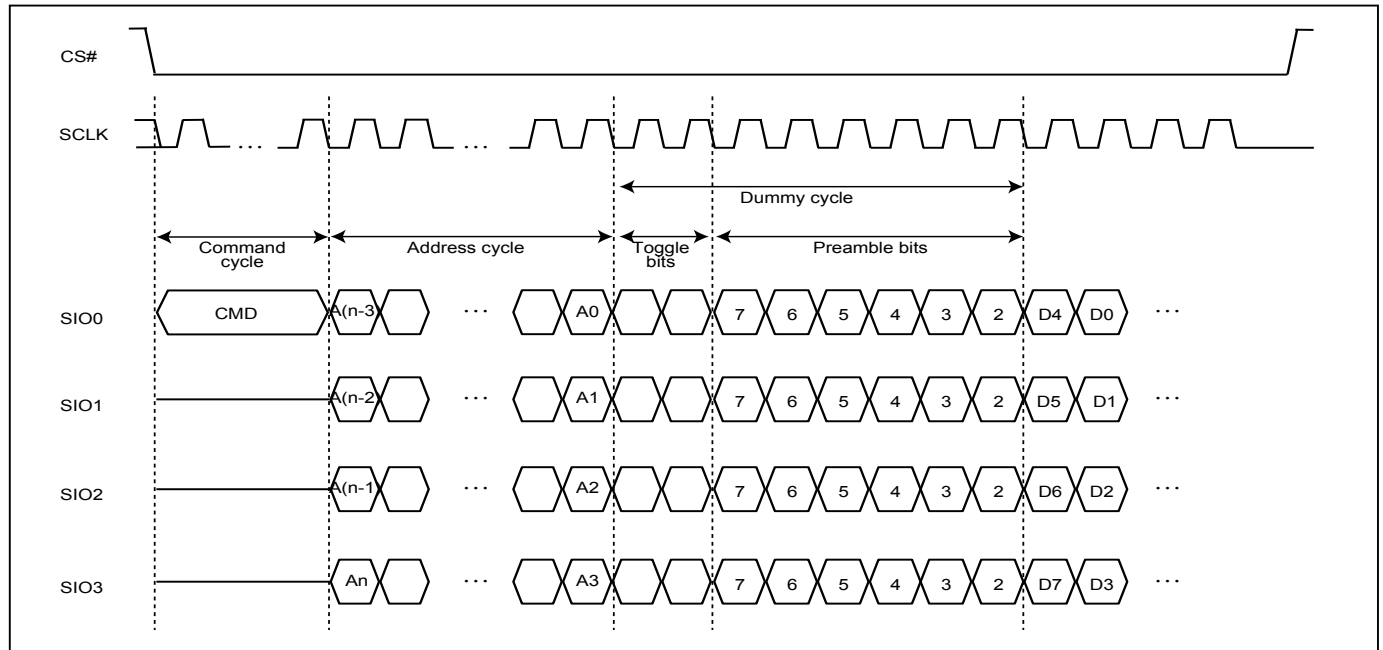




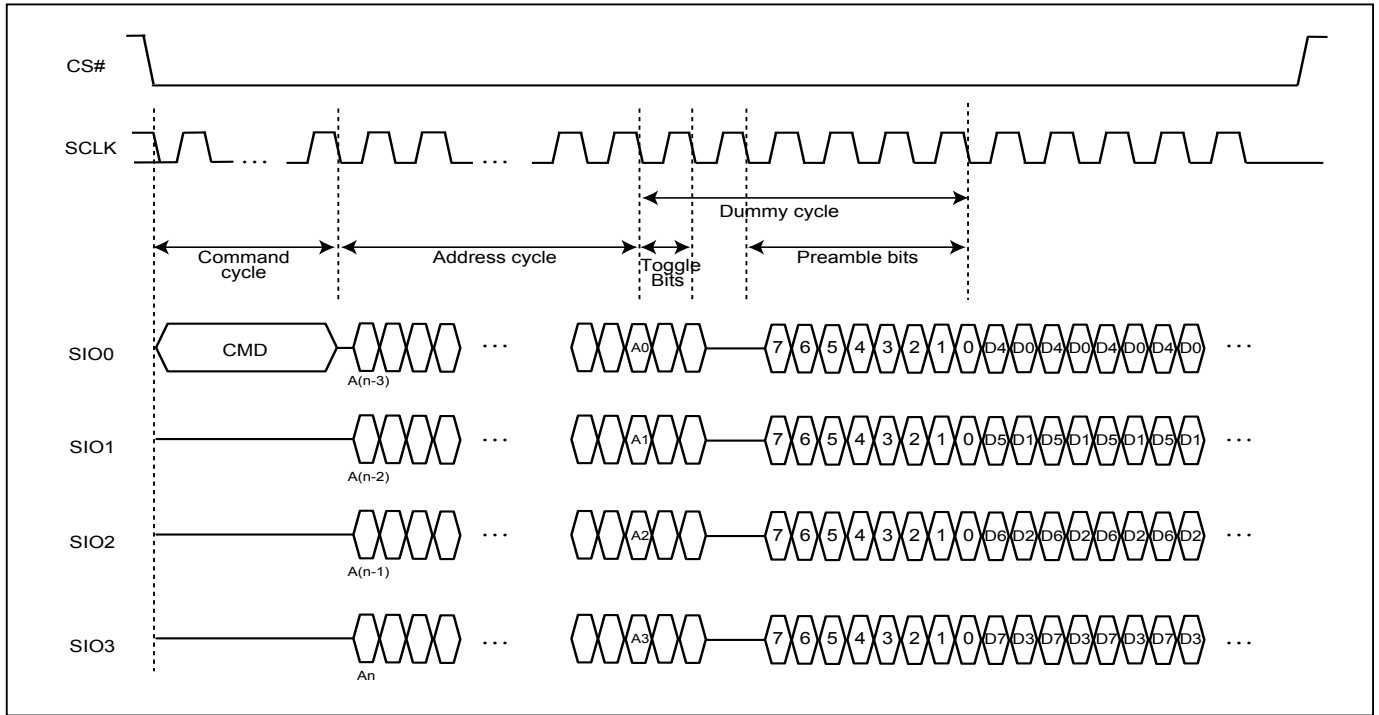
**Figure 45. SDR 4I/O (10DC)**



**Figure 46. SDR 4I/O (8DC)**



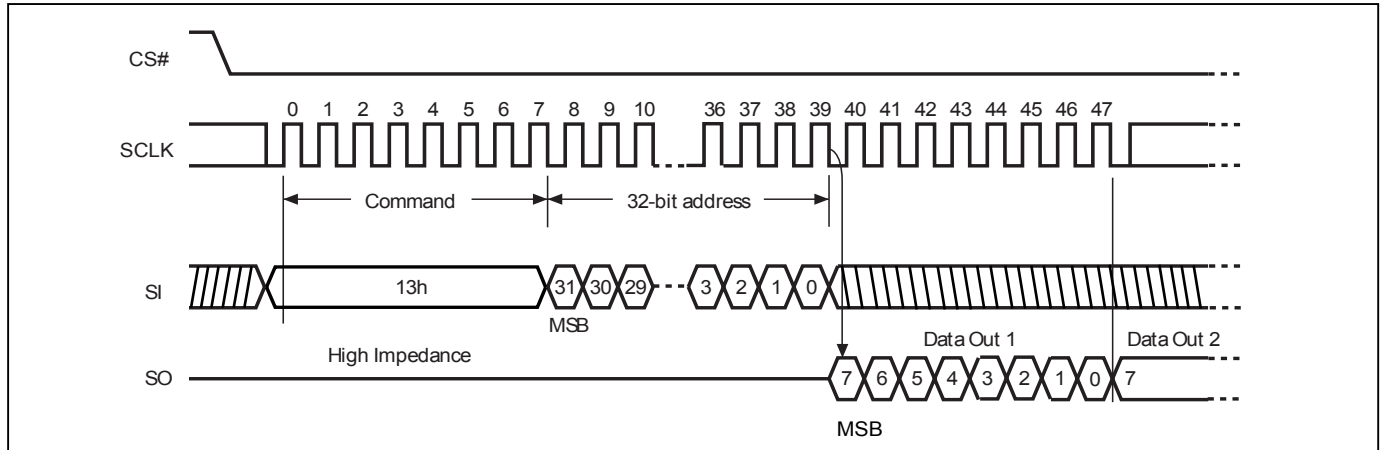
**Figure 47. DTR4IO (6DC)**



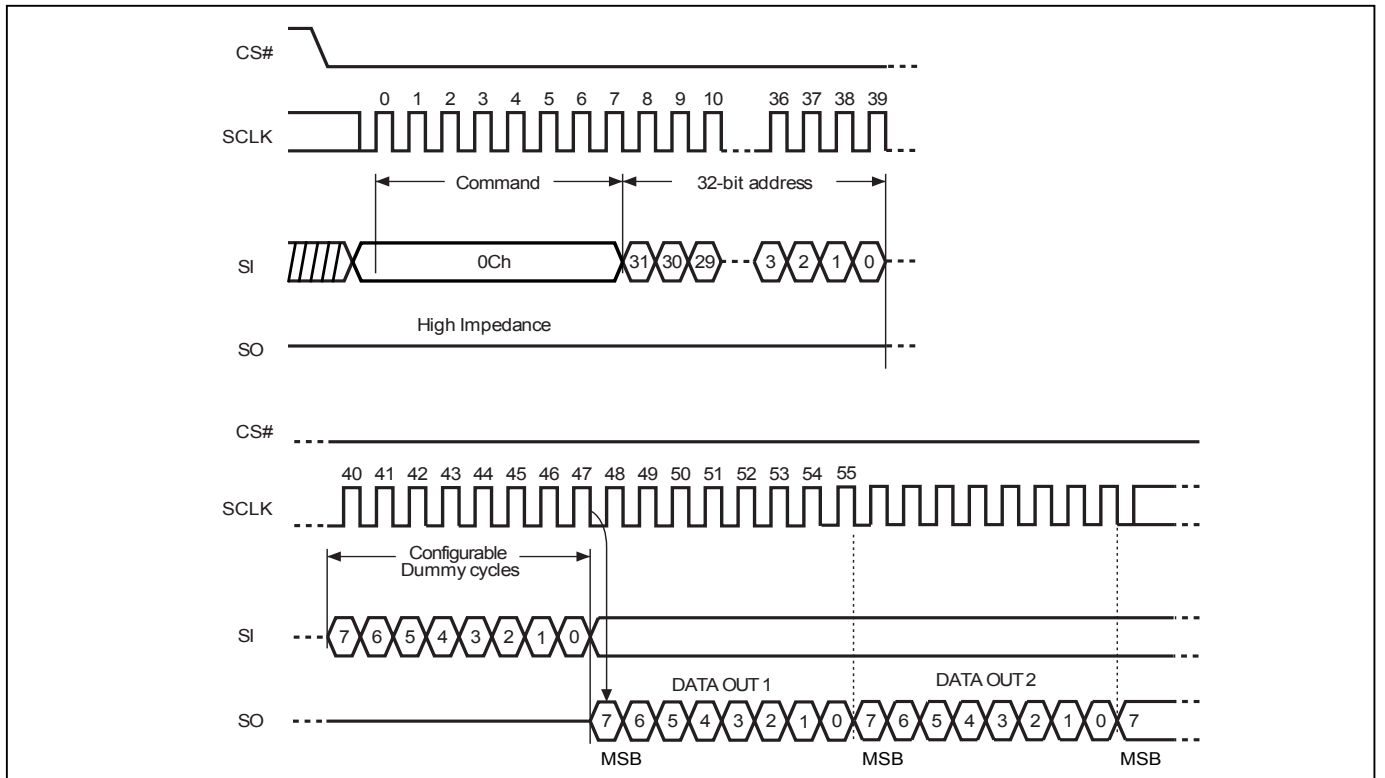
**10-20. 4 Byte Address Command Set**

The operation of 4-byte address command set was very similar to original 3-byte address command set. The only different is all the 4-byte command set request 4-byte address (A31-A0) followed by instruction code. The command set support 4-byte address including: READ4B, Fast\_Read4B, DREAD4B, 2READ4B, QREAD4B, 4READ4B, 4DTRD4B, PP4B, 4PP4B, SE4B, BE32K4B, BE4B. Please note that it is not necessary to issue EN4B command before issuing any of 4-byte command set.

**Figure 48. Read Data Bytes using 4 Byte Address Sequence (READ4B)**



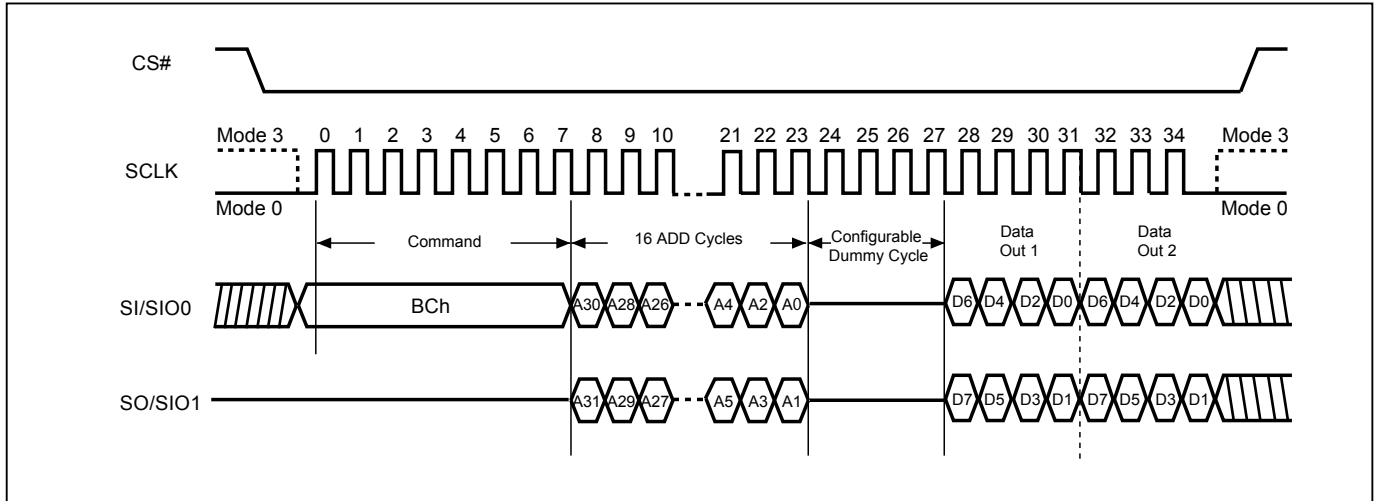
**Figure 49. Read Data Bytes at Higher Speed using 4 Byte Address Sequence (FASTREAD4B)**



Note:

1. Configuration Dummy cycle numbers will be different depending on the bit6 & bit7 (DC0 & DC1) setting in configuration register.

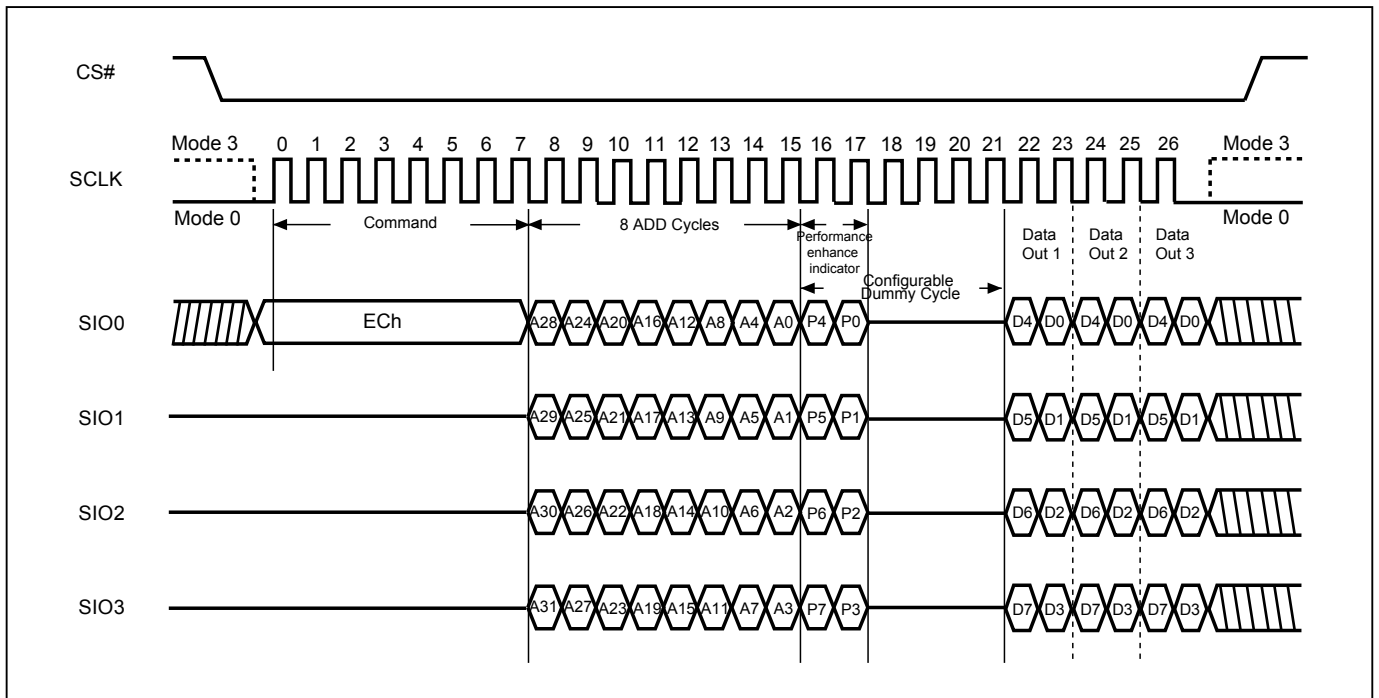
**Figure 50. 2 x I/O Fast Read using 4 Byte Address Sequence (2READ4B)**



Note:

1. Configuration Dummy cycle numbers will be different depending on the bit6 & bit7 (DC0 & DC1) setting in configuration register.

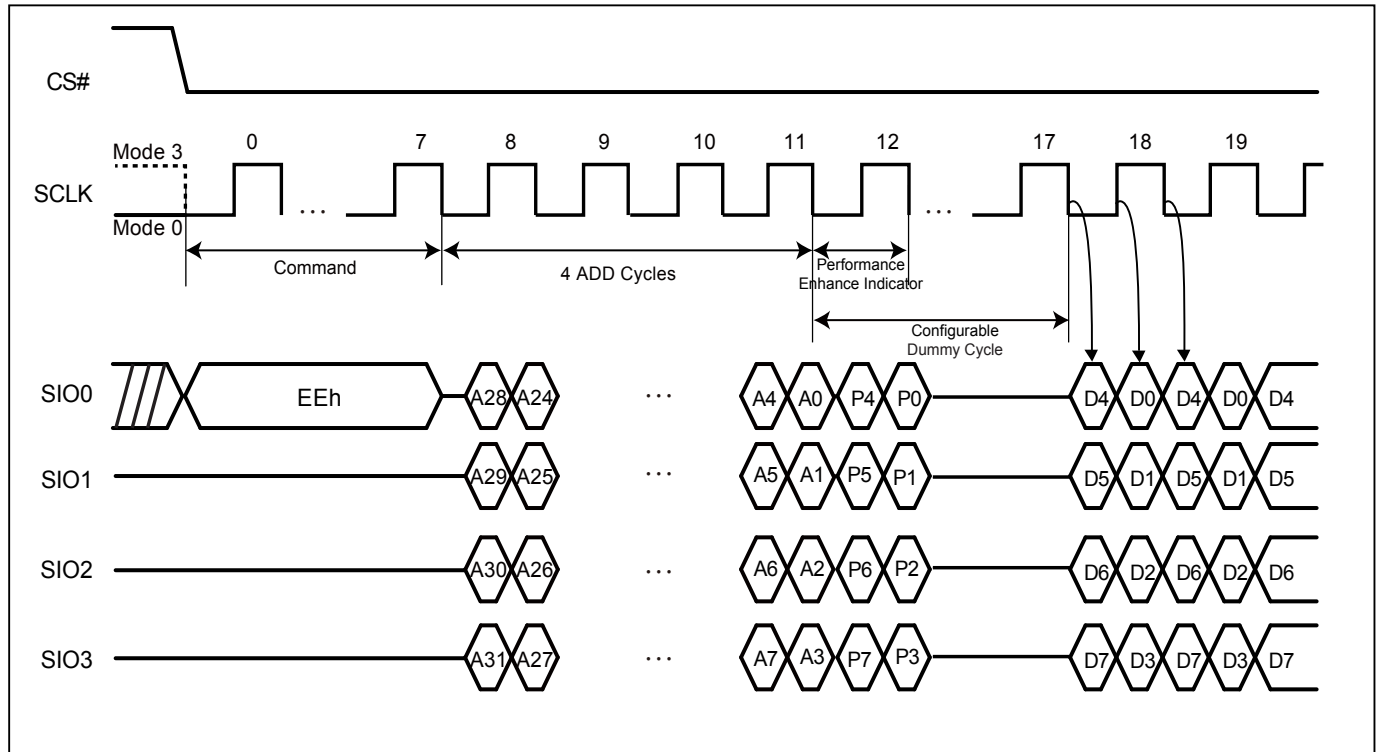
**Figure 51. 4 I/O Fast Read using 4 Byte Address sequence (4READ4B)**



Note:

1. Configuration Dummy cycle numbers will be different depending on the bit6 & bit7 (DC0 & DC1) setting in configuration register.

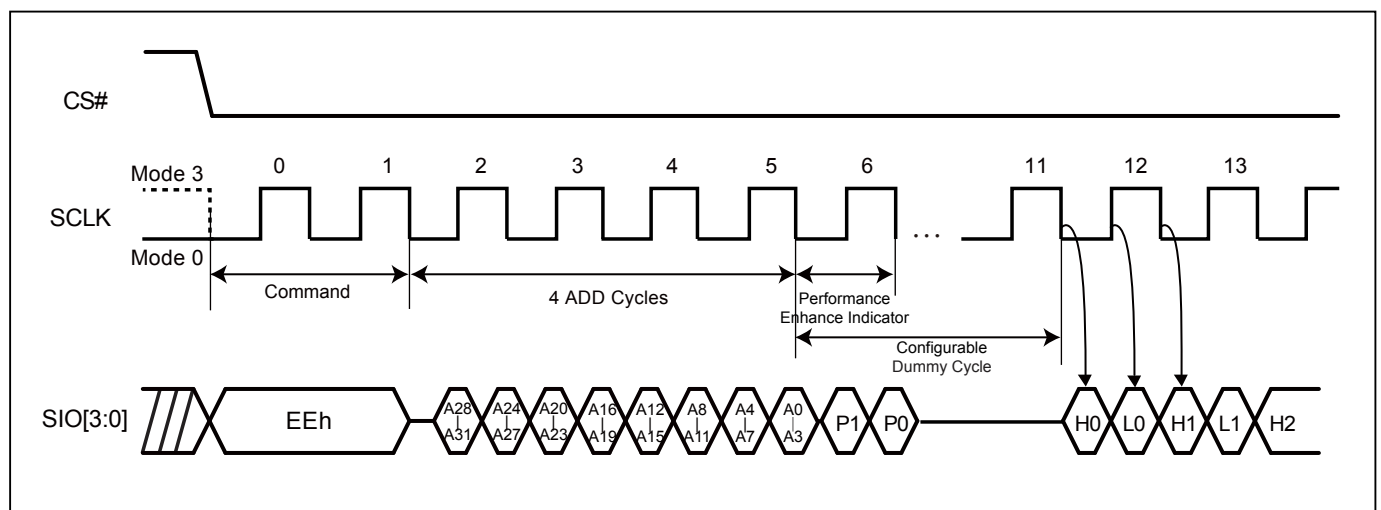
**Figure 52. Fast Quad I/O DT Read (4DTRD4B) Sequence (SPI Mode)**



**Note:**

1. Configuration Dummy cycle numbers will be different depending on the bit6 & bit7 (DC0 & DC1) setting in configuration register.

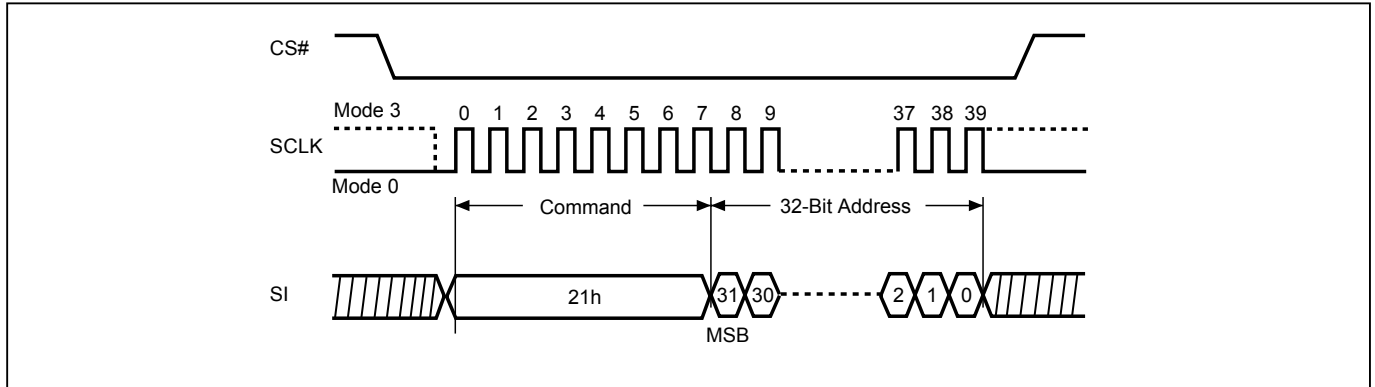
**Figure 53. Fast Quad I/O DT Read (4DTRD4B) Sequence (QPI Mode)**



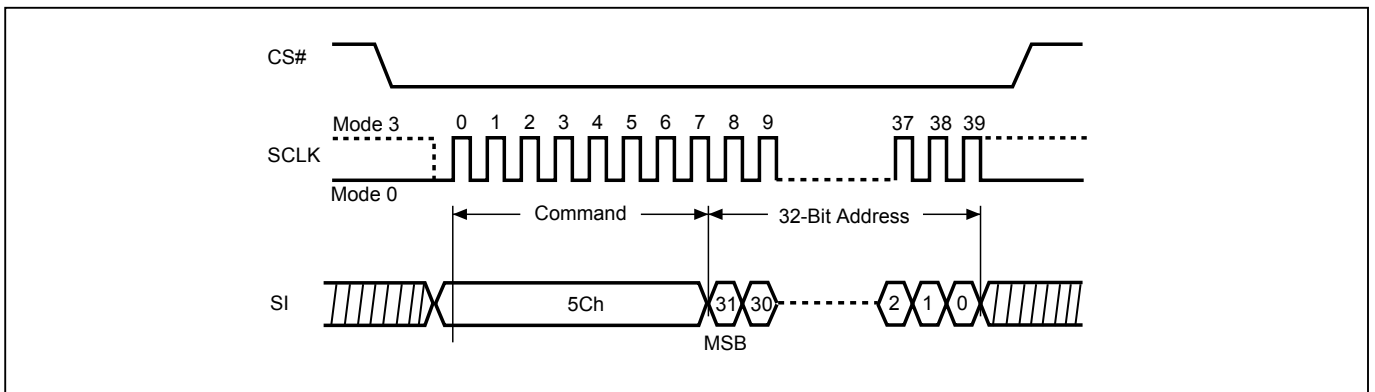
**Note:**

1. Configuration Dummy cycle numbers will be different depending on the bit6 & bit7 (DC0 & DC1) setting in configuration register.

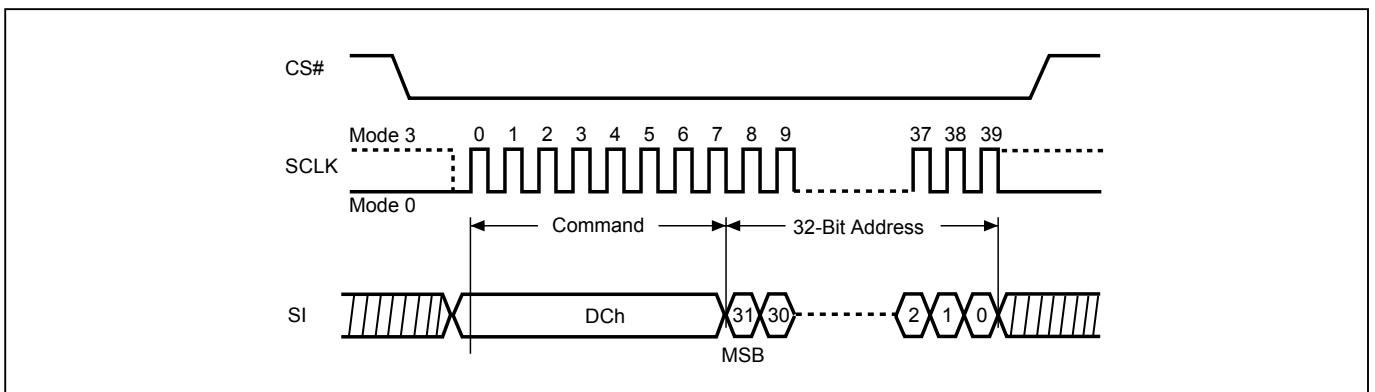
**Figure 54. Sector Erase (SE4B) Sequence (SPI Mode)**



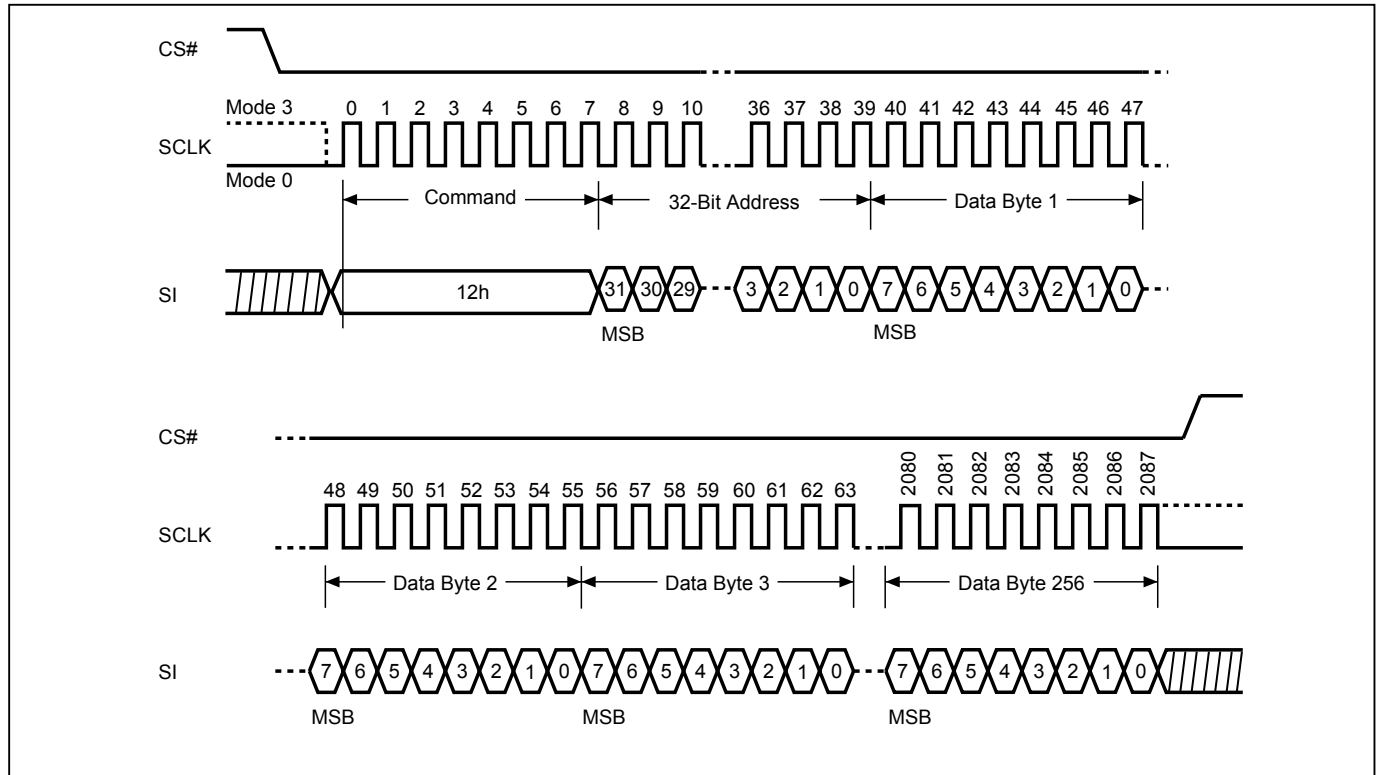
**Figure 55. Block Erase 32KB (BE32K4B) Sequence (SPI Mode)**



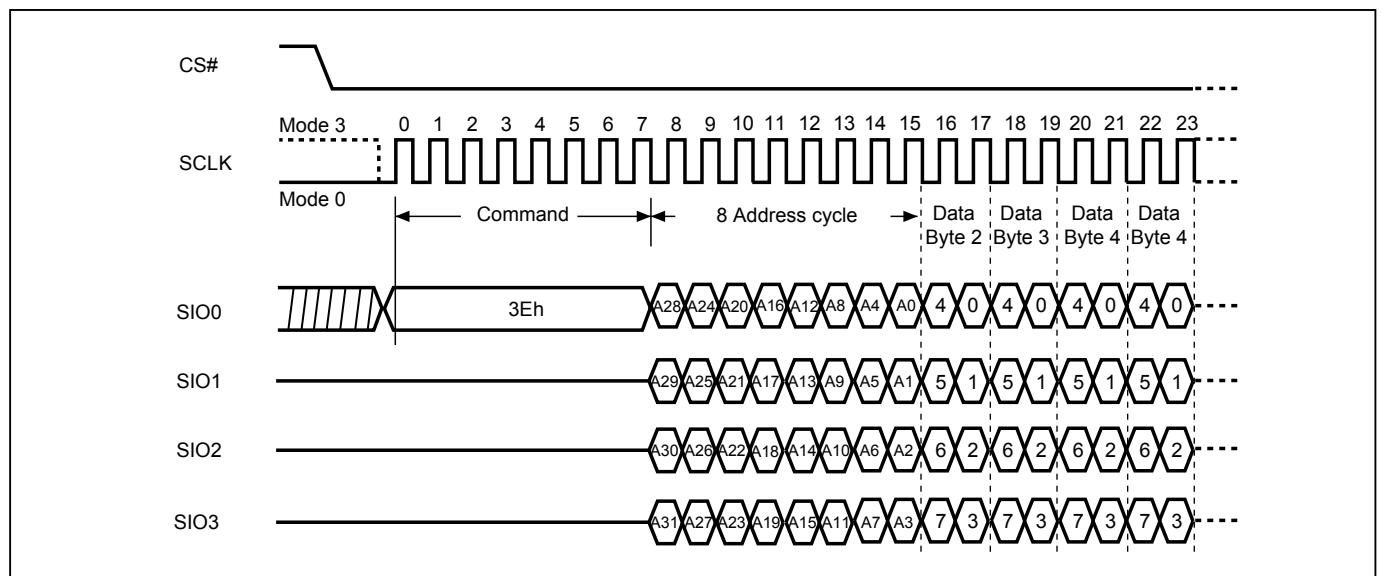
**Figure 56. Block Erase (BE4B) Sequence (SPI Mode)**



**Figure 57. Page Program (PP4B) Sequence (SPI Mode)**



**Figure 58. 4 x I/O Page Program (4PP4B) Sequence (SPI Mode only)**



## 10-21. Performance Enhance Mode

The device could waive the command cycle bits if the two cycle bits after address cycle toggles.

Performance enhance mode is supported in both SPI and QPI mode.

In QPI mode, "EBh" "ECh" "EDh" "EEh" and SPI "EBh" "ECh" "EDh" "EEh" commands support enhance mode. The performance enhance mode is not supported in dual I/O mode.

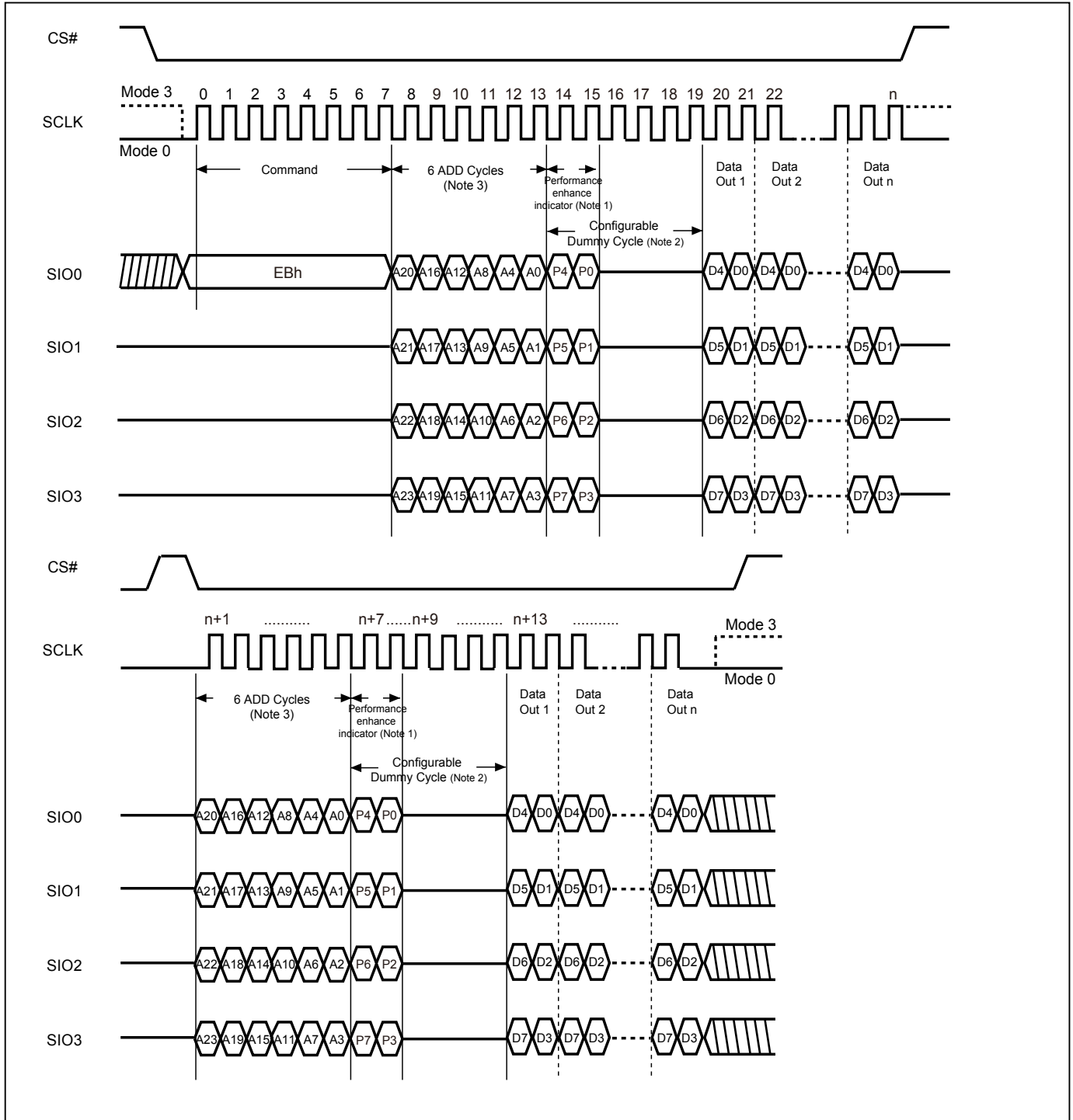
To enter performance-enhancing mode, P[7:4] must be toggling with P[3:0]; likewise P[7:0]=A5h, 5Ah, F0h or 0Fh can make this mode continue and skip the next 4READ instruction. To leave enhance mode, P[7:4] is no longer toggling with P[3:0]; likewise P[7:0]=FFh, 00h, AAh or 55h along with CS# is afterwards raised and then lowered. Issuing "FFh" data cycle can also exit enhance mode. The system then will leave performance enhance mode and return to normal operation.

After entering enhance mode, following CS# go high, the device will stay in the read mode and treat CS# go low of the first clock as address instead of command cycle.

Another sequence of issuing 4READ instruction especially useful in random access is : CS# goes low→sending 4 READ instruction→3-bytes or 4-bytes address interleave on SIO3, SIO2, SIO1 & SIO0 →performance enhance toggling bit P[7:0]→ 4 dummy cycles (Default) →data out still CS# goes high → CS# goes low (reduce 4 Read instruction) → 3-bytes or 4-bytes random access address.



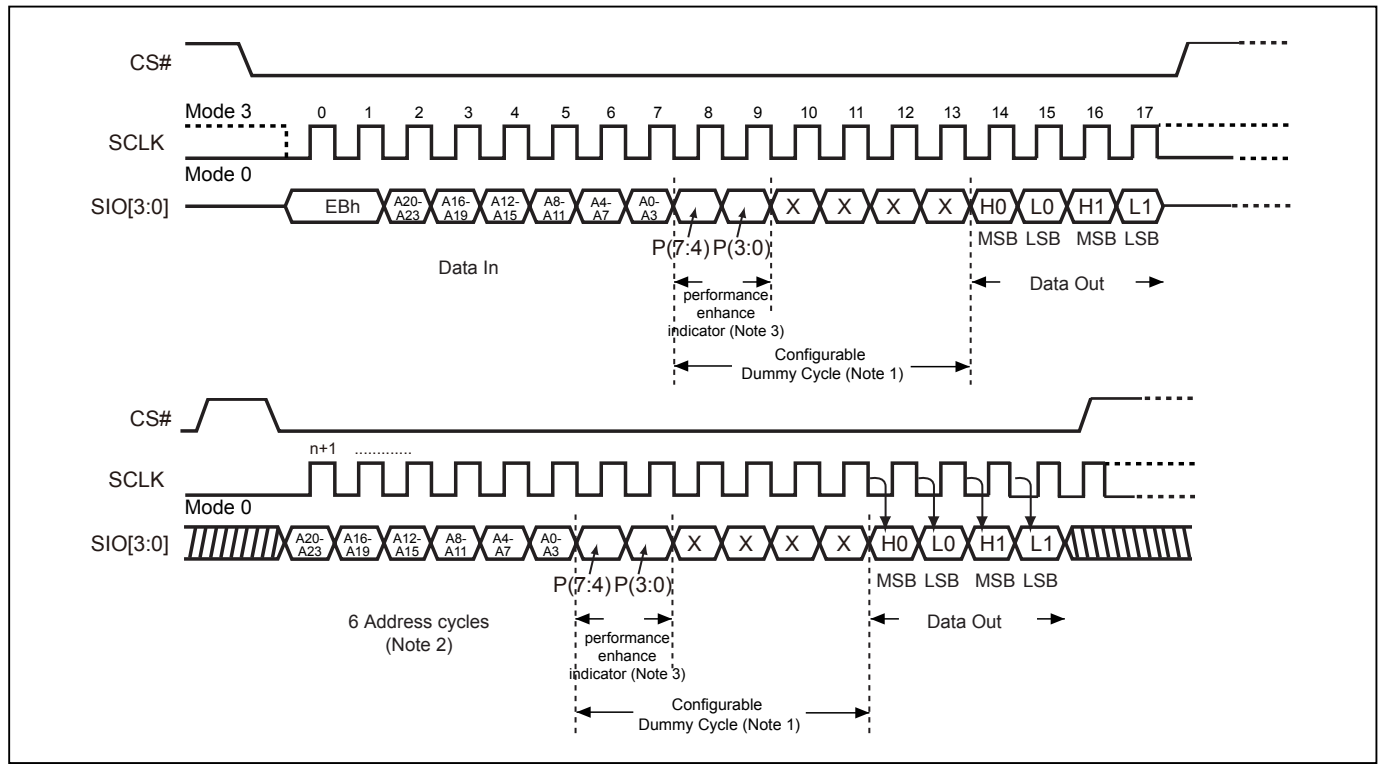
**Figure 59. 4 x I/O Read Performance Enhance Mode Sequence (SPI Mode)**



**Notes:**

1. If not using performance enhance recommend to keep 1 or 0 in performance enhance indicator. Reset the performance enhance mode, if P7=P3 or P6=P2 or P5=P1 or P4=P0, ex: AA, 00, FF.
2. Configuration Dummy cycle numbers will be different depending on the bit6 & bit7 (DC0 & DC1) setting in configuration register.
3. Please note the address cycles above are based on 3-byte address mode. For 4-byte address mode, the address cycles will be increased.

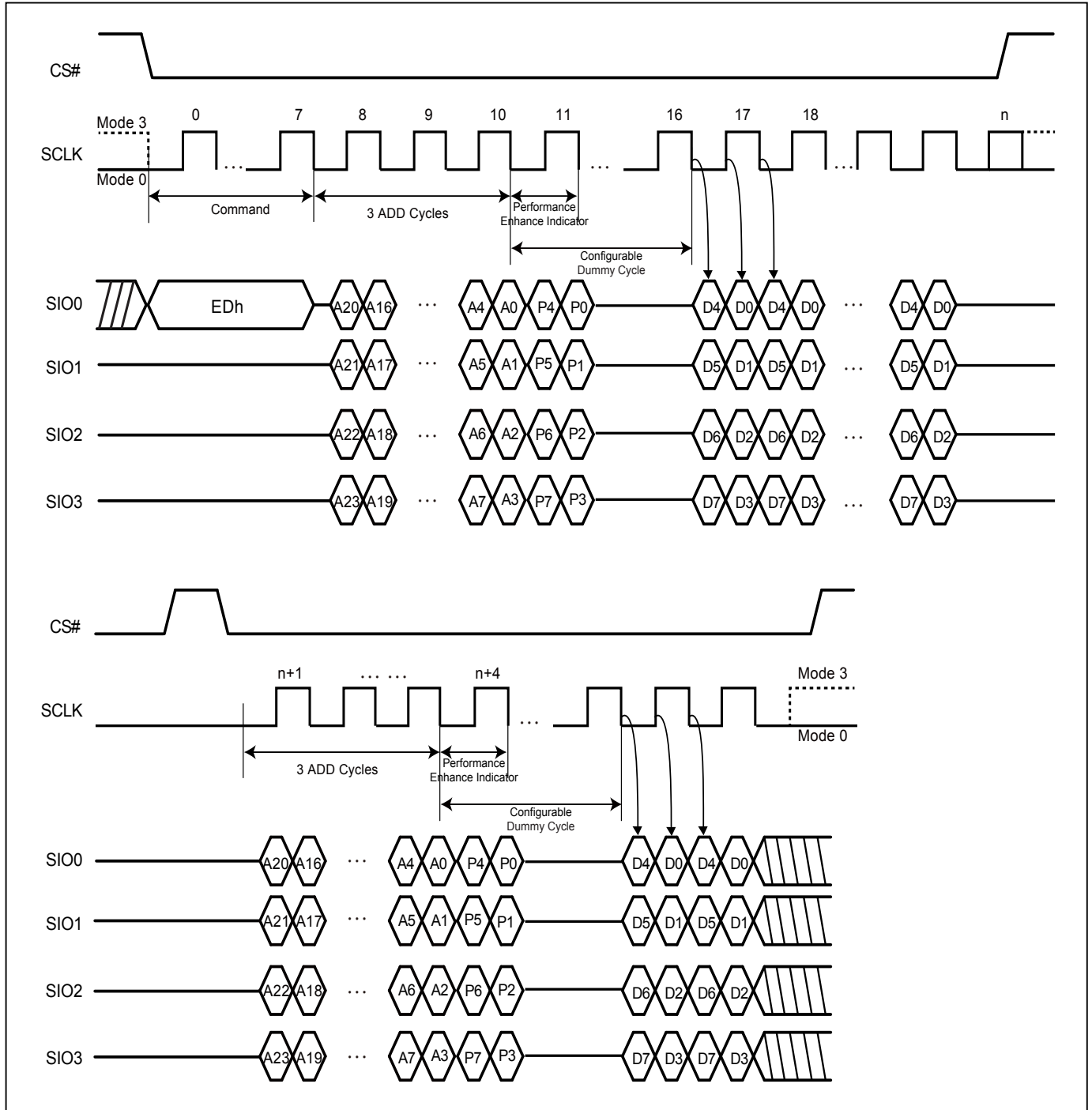
**Figure 60. 4 x I/O Read Performance Enhance Mode Sequence (QPI Mode)**



**Notes:**

1. Configuration Dummy cycle numbers will be different depending on the bit6 & bit7 (DC0 & DC1) setting in configuration register.
2. Please note the address cycles above are based on 3-byte address mode. For 4-byte address mode, the address cycles will be increased.
3. Reset the performance enhance mode, if P7=P3 or P6=P2 or P5=P1 or P4=P0, ex: AA, 00, FF.

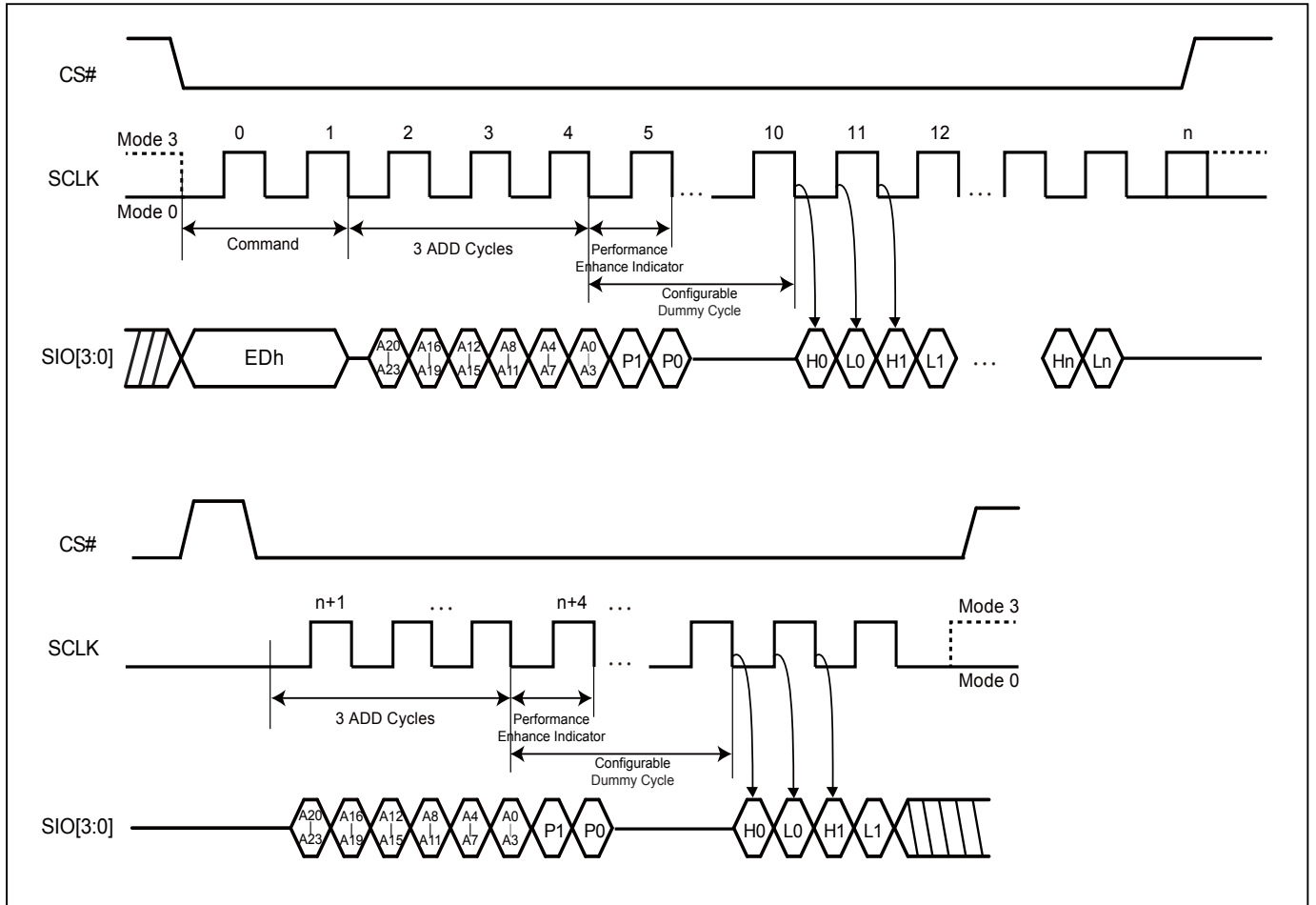
**Figure 61. 4 x I/O DT Read Performance Enhance Mode Sequence (SPI Mode)**



**Notes:**

1. Configuration Dummy cycle numbers will be different depending on the bit6 & bit7 (DC0 & DC1) setting in configuration register.
2. Please note the address cycles above are based on 3-byte address mode. For 4-byte address mode, the address cycles will be increased.
3. Reset the performance enhance mode, if P7=P3 or P6=P2 or P5=P1 or P4=P0, ex: AA, 00, FF.

**Figure 62. 4 x I/O DT Read Performance Enhance Mode Sequence (QPI Mode)**



**Notes:**

1. Configuration Dummy cycle numbers will be different depending on the bit6 & bit7 (DC0 & DC1) setting in configuration register.
2. Please note the address cycles above are based on 3-byte address mode. For 4-byte address mode, the address cycles will be increased.
3. Reset the performance enhance mode, if P1=P0, ex: AA, 00, FF.

**10-22. Burst Read**

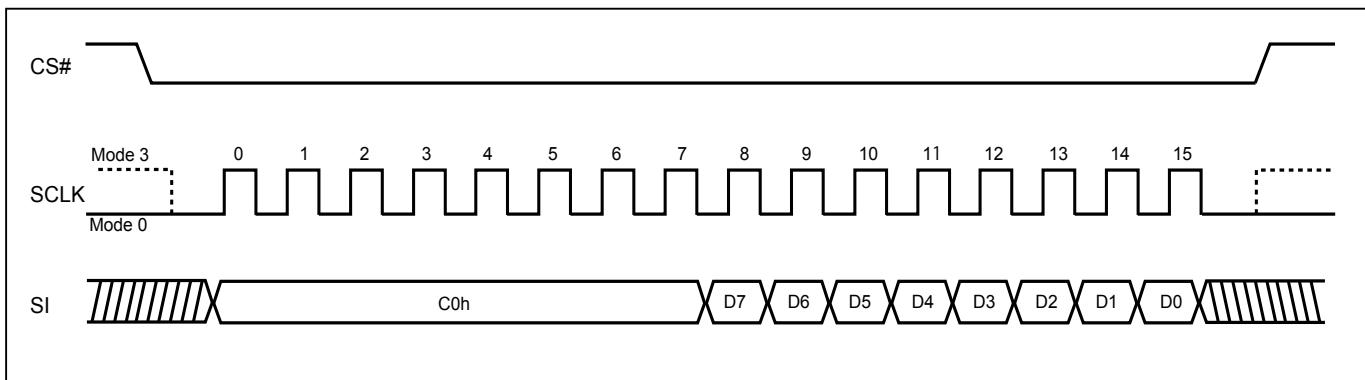
To set the Burst length, following command operation is required to issue command: “C0h” in the first Byte (8-clocks), following 4 clocks defining wrap around enable with “0h” and disable with “1h”.

The next 4 clocks are to define wrap around depth. Their definitions are as the following table:

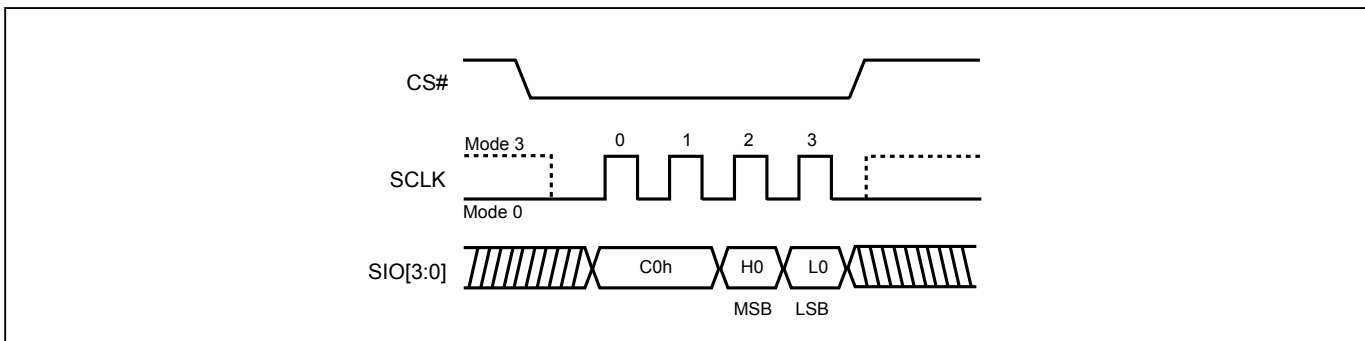
| Data | Wrap Around | Wrap Depth |
|------|-------------|------------|
| 00h  | Yes         | 8-byte     |
| 01h  | Yes         | 16-byte    |
| 02h  | Yes         | 32-byte    |
| 03h  | Yes         | 64-byte    |
| 1xh  | No          | X          |

The wrap around unit is defined with the 8/16/32/64Byte, with random initial address. It is defined as “wrap-around mode disable” for the default state of the device. To exit wrap around, it is required to issue another “C0h” command in which data=‘1xh”. Otherwise, wrap around status will be retained until power down or reset command. To change wrap around depth, it is required to issue another “C0h” command in which data=“0xh”. QPI “EBh” "ECh" and SPI “EBh” "ECh" support wrap around feature after wrap around is enabled. Both SPI (8 clocks) and QPI (2 clocks) command cycle can accept by this instruction. The SIO[3:1] are don't care when during SPI mode.

**Figure 63. SPI Mode**



**Figure 64. QPI Mode**



Note: MSB=Most Significant Bit  
LSB=Least Significant Bit

**10-23. Fast Boot**

The Fast Boot Feature provides the ability to automatically execute read operation after power on cycle or reset without any read instruction.

A Fast Boot Register is provided on this device. It can enable the Fast Boot function and also define the number of delay cycles and start address (where boot code being transferred). Instruction WRFBR (write fast boot register) and ESFBR (erase fast boot register) can be used for the status configuration or alternation of the Fast Boot Register bit. RDFBR (read fast boot register) can be used to verify the program state of the Fast Boot Register. The default number of delay cycles is 13 cycles, and there is a 16bytes boundary address for the start of boot code access.

When CS# starts to go low, data begins to output from default address after the delay cycles (default as 13 cycles). After CS# returns to go high, the device will go back to standard SPI mode and user can start to input command. In the fast boot data out process from CS# goes low to CS# goes high, a minimum of one byte must be output.

Once Fast Boot feature has been enabled, the device will automatically start a read operation after power on cycle, reset command, or hardware reset operation.

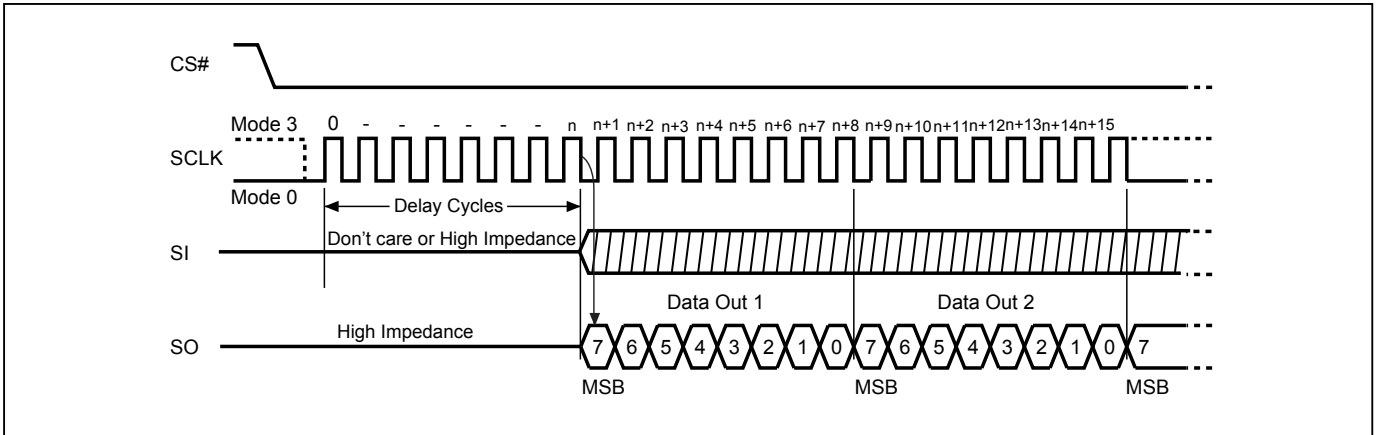
The fast Boot feature can support Single I/O and Quad I/O interface. If the QE bit of Status Register is "0", the data is output by Single I/O interface. If the QE bit of Status Register is set to "1", the data is output by Quad I/O interface.

**Fast Boot Register (FBR)**

| Bits    | Description                       | Bit Status   | Default State | Type         |
|---------|-----------------------------------|--|---------------|--------------|
| 31 to 4 | FBSA (FastBoot Start Address)     | 16 bytes boundary address for the start of boot code access.                           | FFFFFFFF      | Non-Volatile |
| 3       | x                                 |  | 1             | Non-Volatile |
| 2 to 1  | FBSD (FastBoot Start Delay Cycle) | 00: 7 delay cycles<br>01: 9 delay cycles<br>10: 11 delay cycles<br>11: 13 delay cycles | 11            | Non-Volatile |
| 0       | FBE (FastBoot Enable)             | 0=FastBoot is enabled.<br>1=FastBoot is not enabled.                                   | 1             | Non-Volatile |

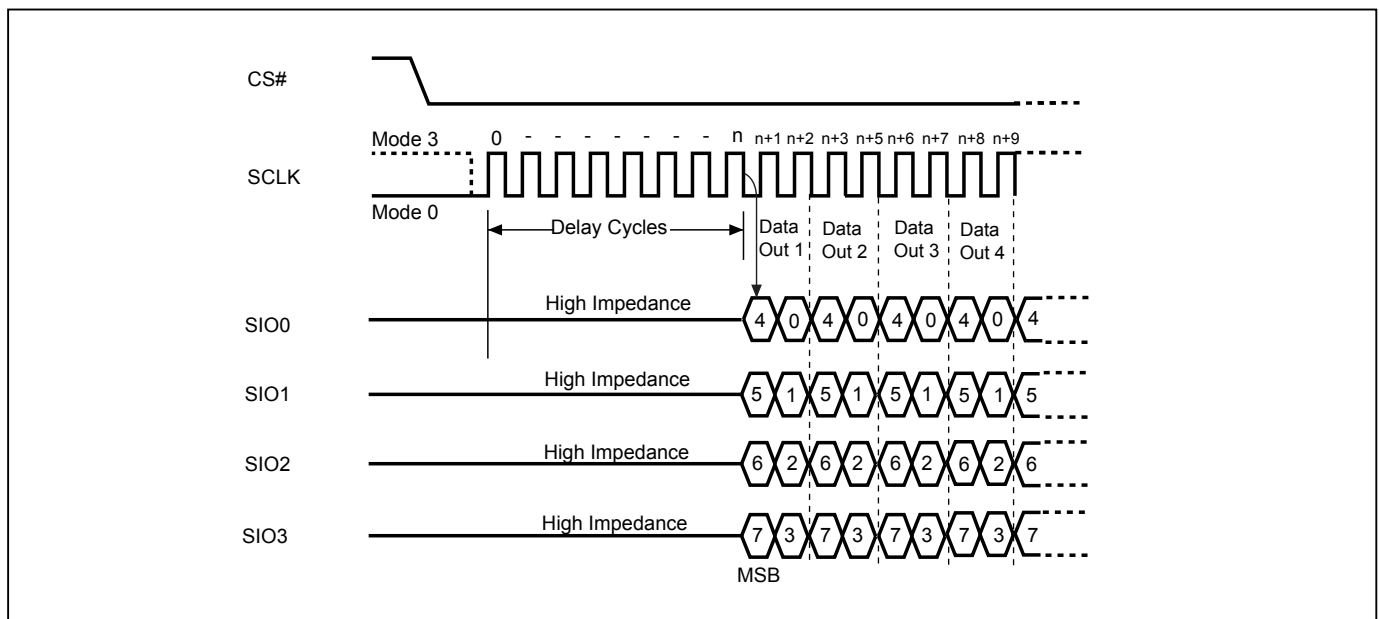
Note: If FBSD = 11, the maximum clock frequency is 133 MHz  
 If FBSD = 10, the maximum clock frequency is 104 MHz  
 If FBSD = 01, the maximum clock frequency is 84 MHz  
 If FBSD = 00, the maximum clock frequency is 70 MHz

**Figure 65. Fast Boot Sequence (QE=0)**



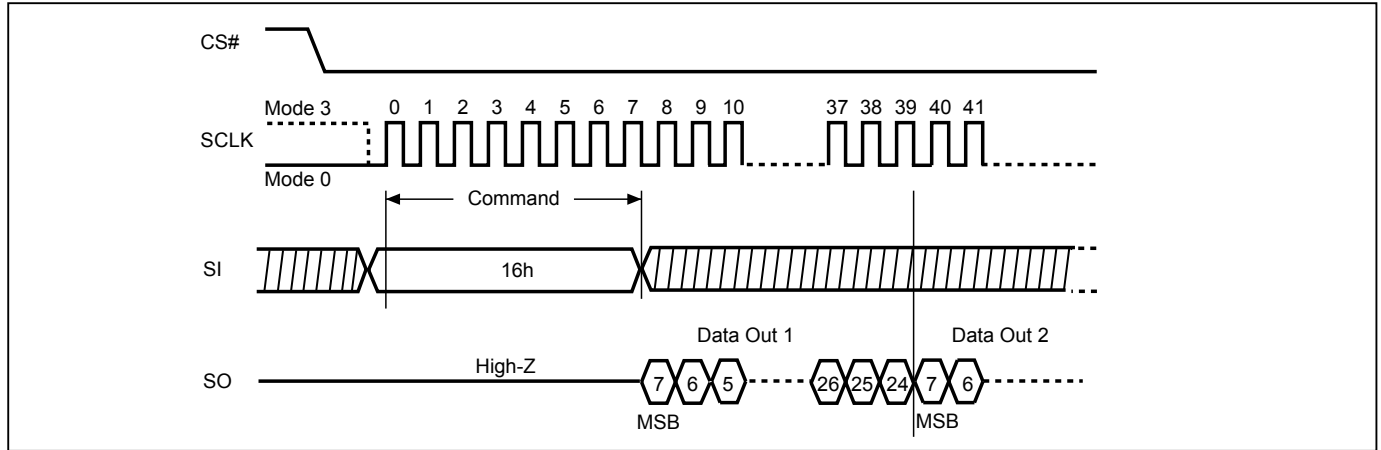
Note: If FBSD = 11, delay cycles is 13 and n is 12.  
 If FBSD = 10, delay cycles is 11 and n is 10.  
 If FBSD = 01, delay cycles is 9 and n is 8.  
 If FBSD = 00, delay cycles is 7 and n is 6.

**Figure 66. Fast Boot Sequence (QE=1)**

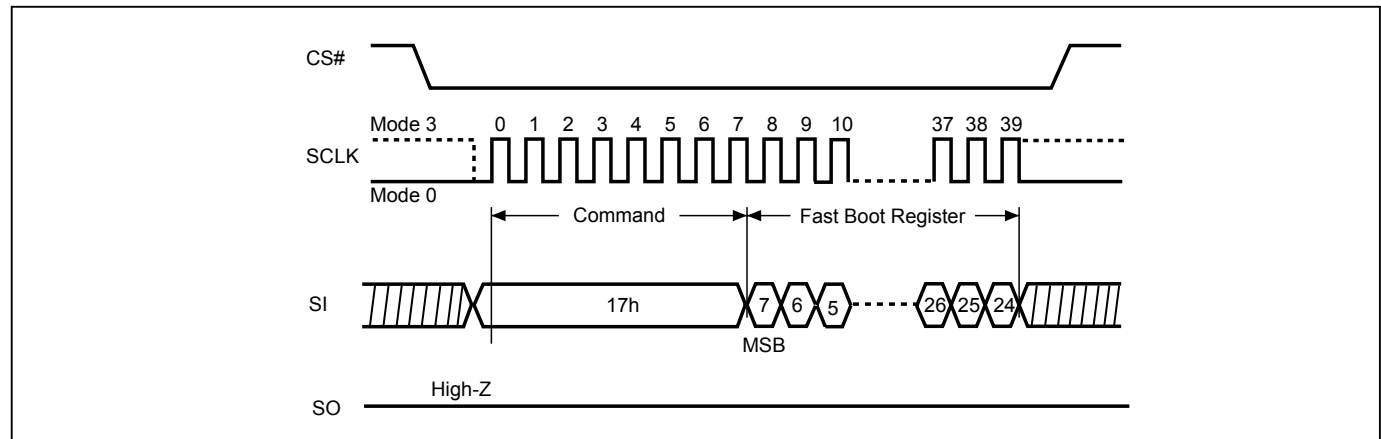


Note: If FBSD = 11, delay cycles is 13 and n is 12.  
 If FBSD = 10, delay cycles is 11 and n is 10.  
 If FBSD = 01, delay cycles is 9 and n is 8.  
 If FBSD = 00, delay cycles is 7 and n is 6.

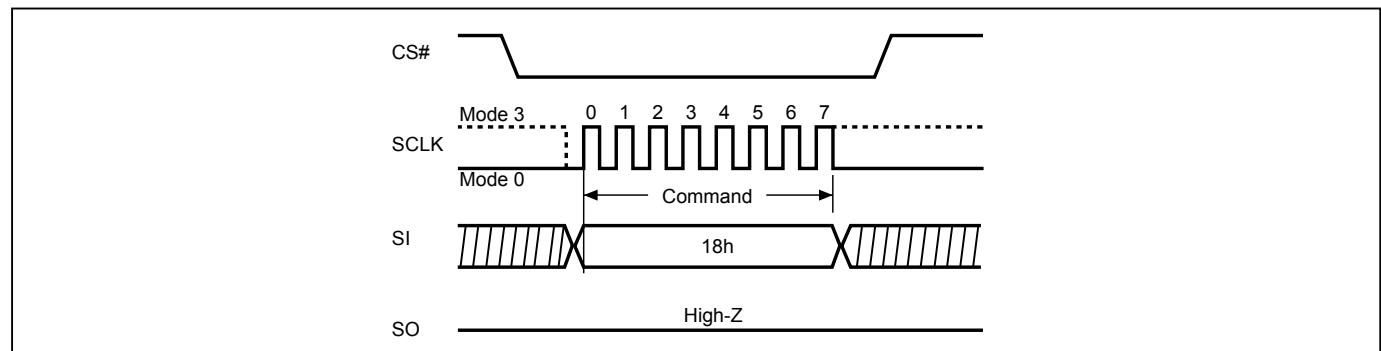
**Figure 67. Read Fast Boot Register (RDFBR) Sequence**



**Figure 68. Write Fast Boot Register (WRFBR) Sequence**



**Figure 69. Erase Fast Boot Register (ESFBR) Sequence**





### 10-24. Sector Erase (SE)

The Sector Erase (SE) instruction is for erasing the data of the chosen sector to be "1". The instruction is used for any 4K-byte sector. A Write Enable (WREN) instruction must execute to set the Write Enable Latch (WEL) bit before sending the Sector Erase (SE). Any address of the sector (Please refer to "5. MEMORY ORGANIZATION") is a valid address for Sector Erase (SE) instruction. The CS# must go high exactly at the byte boundary (the least significant bit of the address byte been latched-in); otherwise, the instruction will be rejected and not executed.

The default read mode is 3-byte address, to access higher address (4-byte address) which requires to enter the 4-byte address read mode or to define EAR bit. Address bits [Am-A12] (Am is the most significant address) select the sector address.

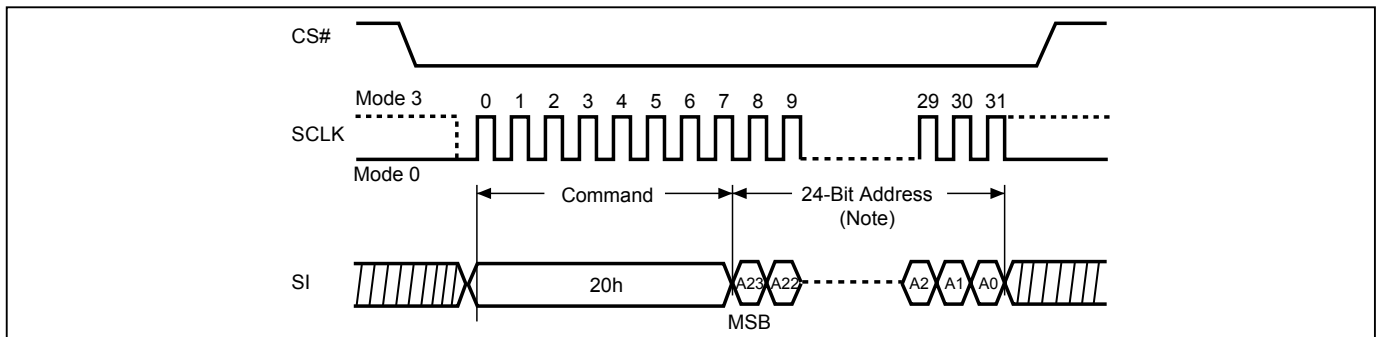
To enter the 4-byte address mode, please refer to the enter 4-byte mode (EN4B) Mode section.

The sequence of issuing SE instruction is: CS# goes low → sending SE instruction code → 3-byte or 4-byte address on SI → CS# goes high.

Both SPI (8 clocks) and QPI (2 clocks) command cycle can accept by this instruction. The SIO[3:1] are don't care when during SPI mode.

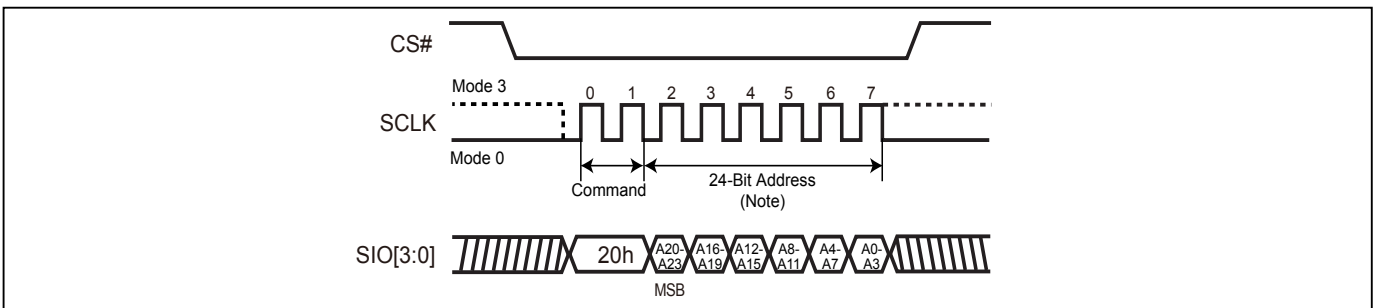
The self-timed Sector Erase Cycle time (tSE) is initiated as soon as Chip Select (CS#) goes high. The Write in Progress (WIP) bit still can be checked while the Sector Erase cycle is in progress. The WIP sets 1 during the tSE timing, and clears when Sector Erase Cycle is completed, and the Write Enable Latch (WEL) bit is cleared. If the Block is protected by BP bits (WPSEL=0; Block Protect Mode) or SPB/DPB (WPSEL=1; Advanced Sector Protect Mode), the Sector Erase (SE) instruction will not be executed on the block.

**Figure 70. Sector Erase (SE) Sequence (SPI Mode)**



Note: Please note the address cycles above are based on 3-byte address mode. For 4-byte address mode, the address cycles will be increased.

**Figure 71. Sector Erase (SE) Sequence (QPI Mode)**



Note: Please note the address cycles above are based on 3-byte address mode. For 4-byte address mode, the address cycles will be increased.

### 10-25. Block Erase (BE32K)

The Block Erase (BE32K) instruction is for erasing the data of the chosen block to be "1". The instruction is used for 32K-byte block erase operation. A Write Enable (WREN) instruction be executed to set the Write Enable Latch (WEL) bit before sending the Block Erase (BE32K). Any address of the block (Please refer to "5. MEMORY ORGANIZATION") is a valid address for Block Erase (BE32K) instruction. The CS# must go high exactly at the byte boundary (the least significant bit of address byte been latched-in); otherwise, the instruction will be rejected and not executed.

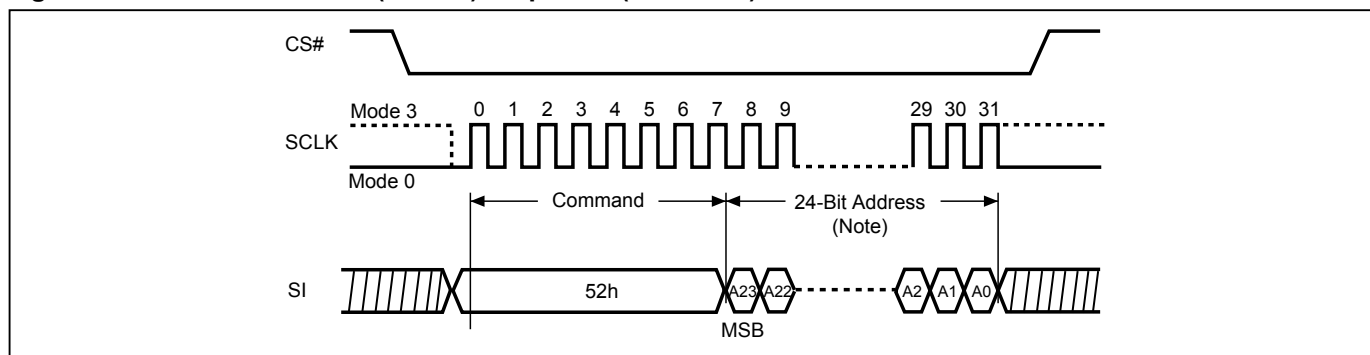
Address bits [Am-A15] (Am is the most significant address) select the 32KB block address. The default read mode is 3-byte address, to access higher address (4-byte address) which requires to enter the 4-byte address read mode or to define EAR bit. To enter the 4-byte address mode, please refer to the enter 4-byte mode (EN4B) Mode section.

The sequence of issuing BE32K instruction is: CS# goes low→ sending BE32K instruction code→ 3-byte or 4-byte address on SI→CS# goes high.

Both SPI (8 clocks) and QPI (2 clocks) command cycle can accept by this instruction. The SIO[3:1] are don't care when during SPI mode.

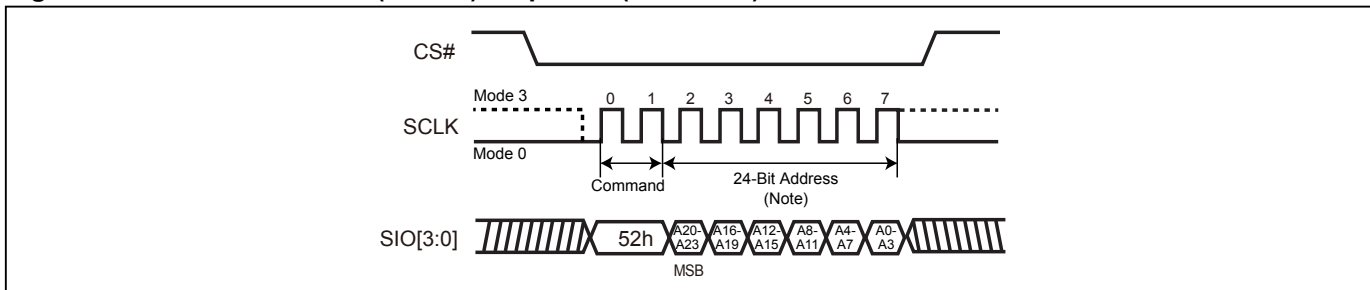
The self-timed Block Erase Cycle time (tBE32K) is initiated as soon as Chip Select (CS#) goes high. The Write in Progress (WIP) bit still can be checked while during the Block Erase cycle is in progress. The WIP sets during the tBE32K timing, and clears when Block Erase Cycle is completed, and the Write Enable Latch (WEL) bit is cleared. If the Block is protected by BP bits (WPSEL=0; Block Protect Mode) or SPB/DPB (WPSEL=1; Advanced Sector Protect Mode), the Block Erase (BE32K) instruction will not be executed on the block.

**Figure 72. Block Erase 32KB (BE32K) Sequence (SPI Mode)**



Note: Please note the address cycles above are based on 3-byte address mode. For 4-byte address mode, the address cycles will be increased.

**Figure 73. Block Erase 32KB (BE32K) Sequence (QPI Mode)**



Note: Please note the address cycles above are based on 3-byte address mode. For 4-byte address mode, the address cycles will be increased.

### 10-26. Block Erase (BE)

The Block Erase (BE) instruction is for erasing the data of the chosen block to be "1". The instruction is used for 64K-byte block erase operation. A Write Enable (WREN) instruction must be executed to set the Write Enable Latch (WEL) bit before sending the Block Erase (BE). Any address of the block (Please refer to "5. MEMORY ORGANIZATION") is a valid address for Block Erase (BE) instruction. The CS# must go high exactly at the byte boundary (the least significant bit of address byte been latched-in); otherwise, the instruction will be rejected and not executed.

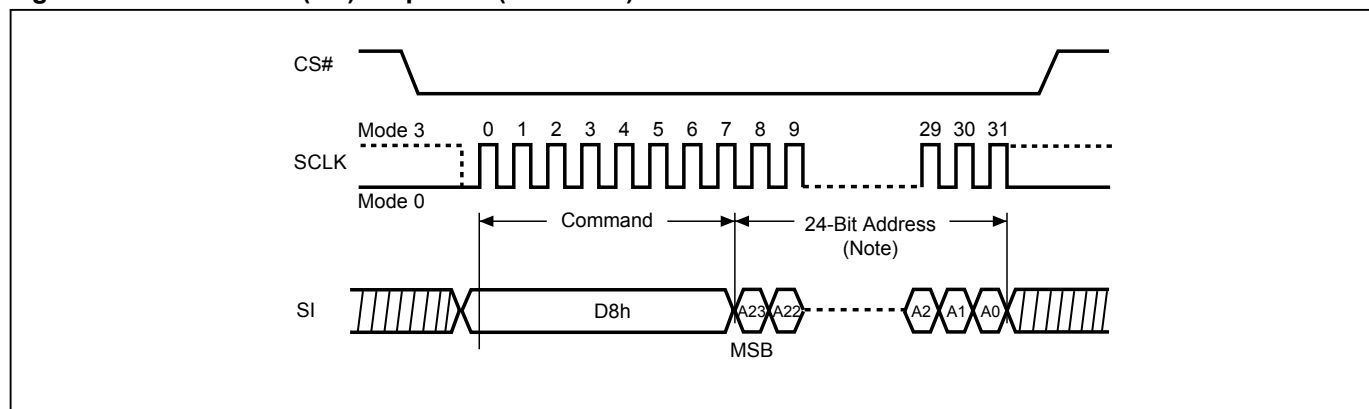
The default read mode is 3-byte address, to access higher address (4-byte address) which requires to enter the 4-byte address read mode or to define EAR bit. To enter the 4-byte address mode, please refer to the enter 4-byte mode (EN4B) Mode section.

The sequence of issuing BE instruction is: CS# goes low → sending BE instruction code → 3-byte or 4-byte address on SI → CS# goes high.

Both SPI (8 clocks) and QPI (2 clocks) command cycle can accept by this instruction. The SIO[3:1] are don't care when during SPI mode.

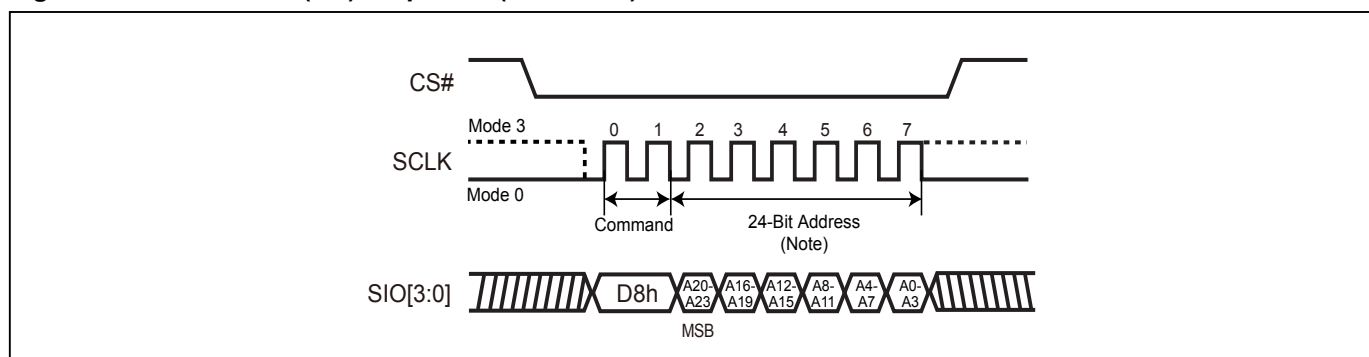
The self-timed Block Erase Cycle time (tBE) is initiated as soon as Chip Select (CS#) goes high. The Write in Progress (WIP) bit still can be checked while the Block Erase cycle is in progress. The WIP sets during the tBE timing, and clears when Block Erase Cycle is completed, and the Write Enable Latch (WEL) bit is reset. If the Block is protected by BP bits (WPSEL=0; Block Protect Mode) or SPB/DPB (WPSEL=1; Advanced Sector Protect Mode), the Block Erase (BE) instruction will not be executed on the block.

**Figure 74. Block Erase (BE) Sequence (SPI Mode)**



Note: Please note the address cycles above are based on 3-byte address mode. For 4-byte address mode, the address cycles will be increased.

**Figure 75. Block Erase (BE) Sequence (QPI Mode)**



Note: Please note the address cycles above are based on 3-byte address mode. For 4-byte address mode, the address cycles will be increased.

### 10-27. Chip Erase (CE)

The Chip Erase (CE) instruction is for erasing the data of the whole chip to be "1". A Write Enable (WREN) instruction must be executed to set the Write Enable Latch (WEL) bit before sending the Chip Erase (CE). The CS# must go high exactly at the byte boundary, otherwise the instruction will be rejected and not executed.

The sequence of issuing CE instruction is: CS# goes low→sending CE instruction code→CS# goes high.

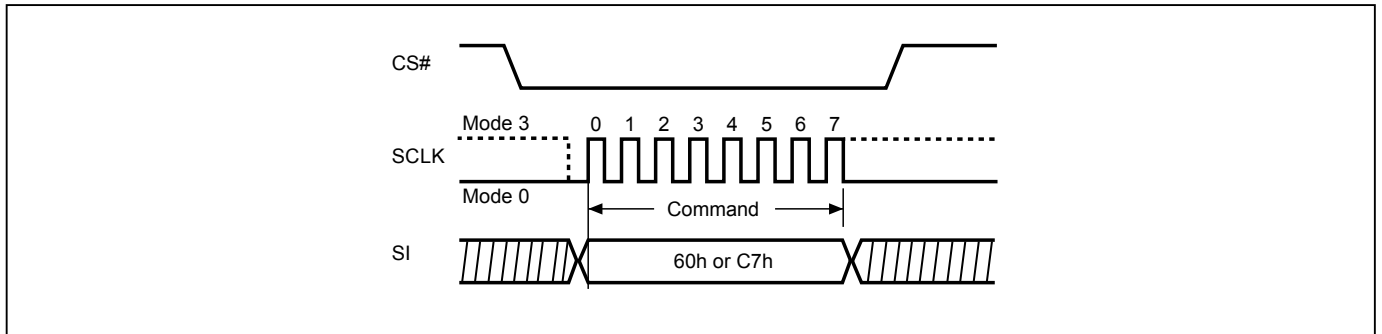
Both SPI (8 clocks) and QPI (2 clocks) command cycle can accept by this instruction. The SIO[3:1] are don't care when during SPI mode.

The self-timed Chip Erase Cycle time (tCE) is initiated as soon as Chip Select (CS#) goes high. The Write in Progress (WIP) bit still can be checked while the Chip Erase cycle is in progress. The WIP sets during the tCE timing, and clears when Chip Erase Cycle is completed, and the Write Enable Latch (WEL) bit is cleared.

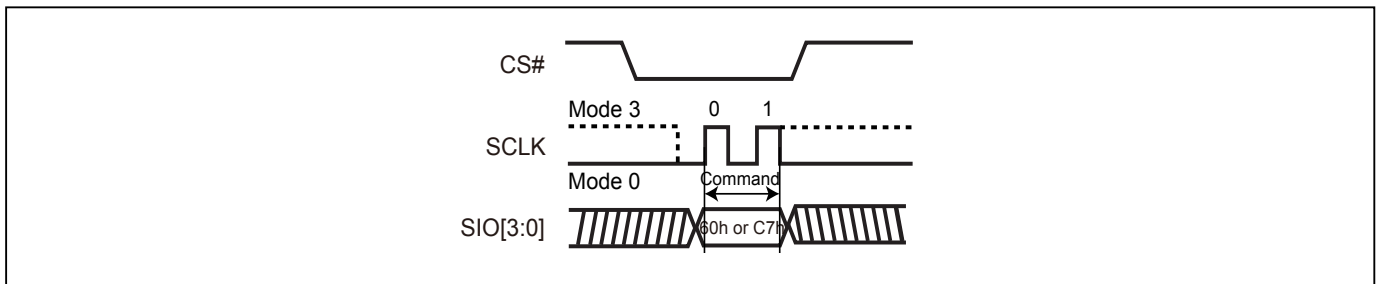
When the chip is under "Block protect (BP) Mode" (WPSEL=0). The Chip Erase (CE) instruction will not be executed, if one (or more) sector is protected by BP3-BP0 bits. It will be only executed when BP3-BP0 all set to "0".

When the chip is under "Advances Sector Protect Mode" (WPSEL=1). The Chip Erase (CE) instruction will be executed on unprotected block. The protected Block will be skipped. If one (or more) 4K byte sector was protected in top or bottom 64K byte block, the protected block will also skip the chip erase command.

**Figure 76. Chip Erase (CE) Sequence (SPI Mode)**



**Figure 77. Chip Erase (CE) Sequence (QPI Mode)**



## 10-28. Page Program (PP)

The Page Program (PP) instruction is for programming the memory to be "0". A Write Enable (WREN) instruction must be executed to set the Write Enable Latch (WEL) bit before sending the Page Program (PP). The device programs only the last 256 data bytes sent to the device. If the entire 256 data bytes are going to be programmed, A7-A0 (The eight least significant address bits) should be set to 0. If A7-A0 are not all zero, transmitted data that exceed page length are programmed from the starting address (24-bit address that last 8 bit are all 0) of currently selected page. If the data bytes sent to the device exceeds 256, the last 256 data byte is programmed at the request page and previous data will be disregarded. If the data bytes sent to the device has not exceeded 256, the data will be programmed at the request address of the page. There will be no effort on the other data bytes of the same page.

The default read mode is 3-byte address, to access higher address (4-byte address) which requires to enter the 4-byte address read mode or to define EAR bit. To enter the 4-byte address mode, please refer to the enter 4-byte mode (EN4B) Mode section.

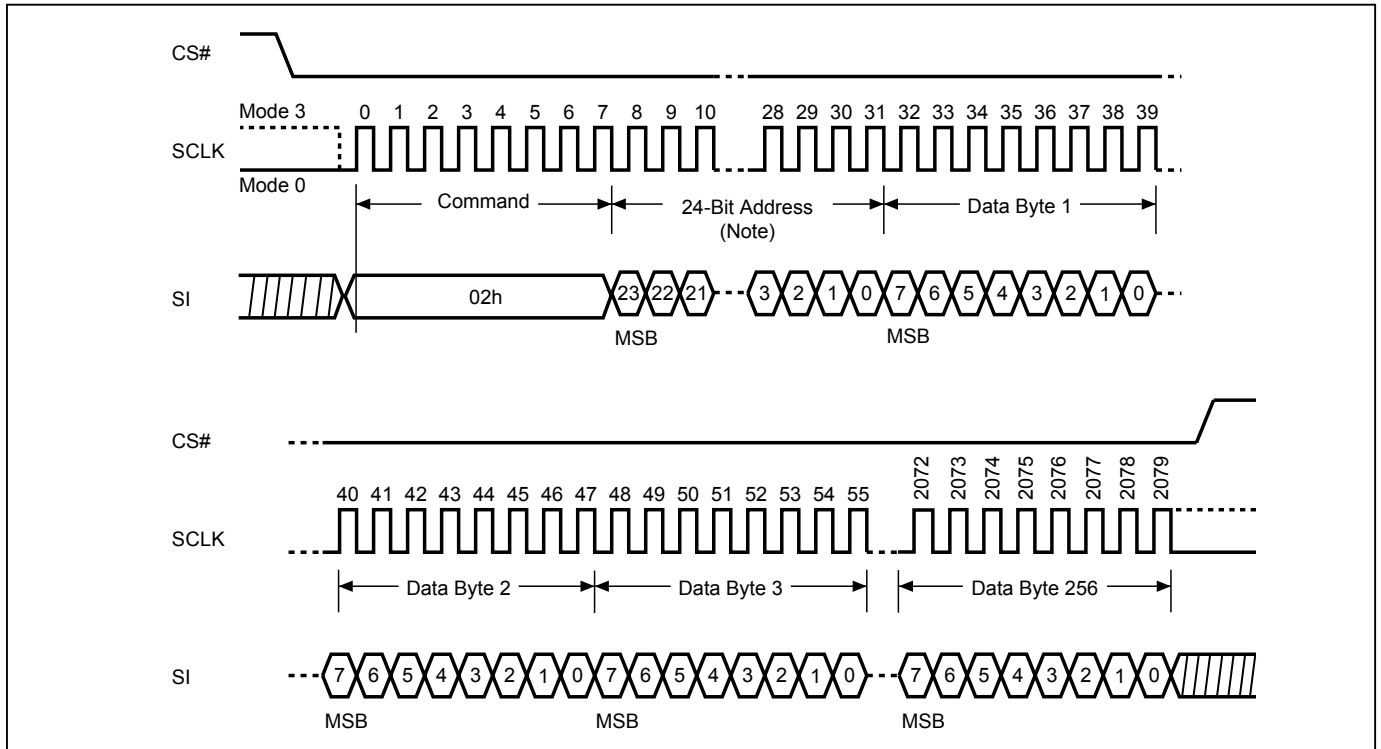
The sequence of issuing PP instruction is: CS# goes low→ sending PP instruction code→ 3-byte or 4-byte address on SI→ at least 1-byte on data on SI→ CS# goes high.

The CS# must be kept to low during the whole Page Program cycle; The CS# must go high exactly at the byte boundary( the latest eighth bit of data being latched in), otherwise the instruction will be rejected and will not be executed.

The self-timed Page Program Cycle time (tPP) is initiated as soon as Chip Select (CS#) goes high. The Write in Progress (WIP) bit still can be checked while the Page Program cycle is in progress. The WIP sets during the tPP timing, and clears when Page Program Cycle is completed, and the Write Enable Latch (WEL) bit is cleared. If the page is protected by BP bits (WPSEL=0; Block Protect Mode) or SPB/DPB (WPSEL=1; Advanced Sector Protect Mode), the Page Program (PP) instruction will not be executed.

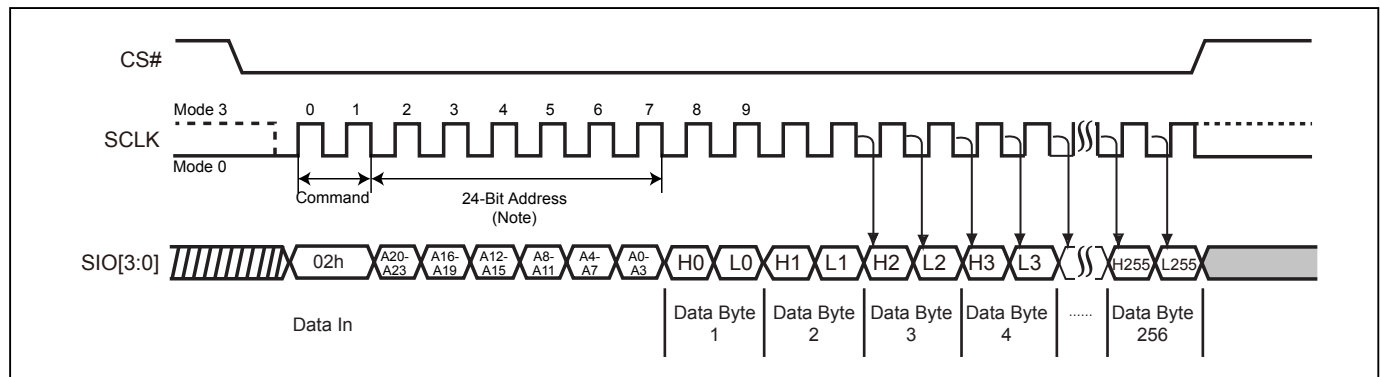
Both SPI (8 clocks) and QPI (2 clocks) command cycle can accept by this instruction. The SIO[3:1] are don't care when during SPI mode.

**Figure 78. Page Program (PP) Sequence (SPI Mode)**



Note: Please note the address cycles above are based on 3-byte address mode. For 4-byte address mode, the address cycles will be increased.

**Figure 79. Page Program (PP) Sequence (QPI Mode)**



Note: Please note the address cycles above are based on 3-byte address mode. For 4-byte address mode, the address cycles will be increased.

**10-29. 4 x I/O Page Program (4PP)**

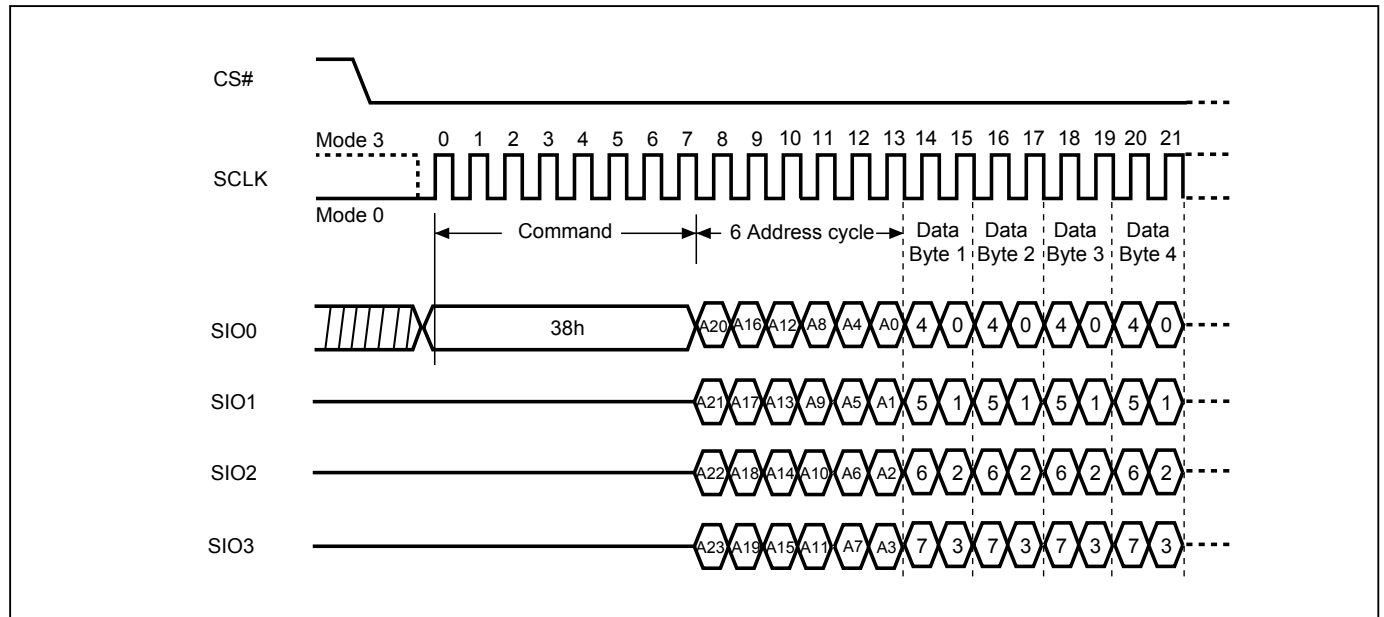
The Quad Page Program (4PP) instruction is for programming the memory to be "0". A Write Enable (WREN) instruction must be executed to set the Write Enable Latch (WEL) bit and Quad Enable (QE) bit must be set to "1" before sending the Quad Page Program (4PP). The Quad Page Programming takes four pins: SIO0, SIO1, SIO2, and SIO3 as address and data input, which can improve programmer performance and the effectiveness of application. The other function descriptions are as same as standard page program.

The default read mode is 3-byte address, to access higher address (4-byte address) which requires to enter the 4-byte address read mode or to define EAR bit. To enter the 4-byte address mode, please refer to the enter 4-byte mode (EN4B) Mode section.

The sequence of issuing 4PP instruction is: CS# goes low→ sending 4PP instruction code→ 3-byte or 4-byte address on SIO[3:0]→ at least 1-byte on data on SIO[3:0]→CS# goes high.

If the page is protected by BP bits (WPSEL=0; Block Protect Mode) or SPB/DPB (WPSEL=1; Advanced Sector Protect Mode), the Quad Page Program (4PP) instruction will not be executed.

**Figure 80. 4 x I/O Page Program (4PP) Sequence (SPI Mode only)**



Note: Please note the address cycles above are based on 3-byte address mode. For 4-byte address mode, the address cycles will be increased.

**10-30. Deep Power-down (DP)**

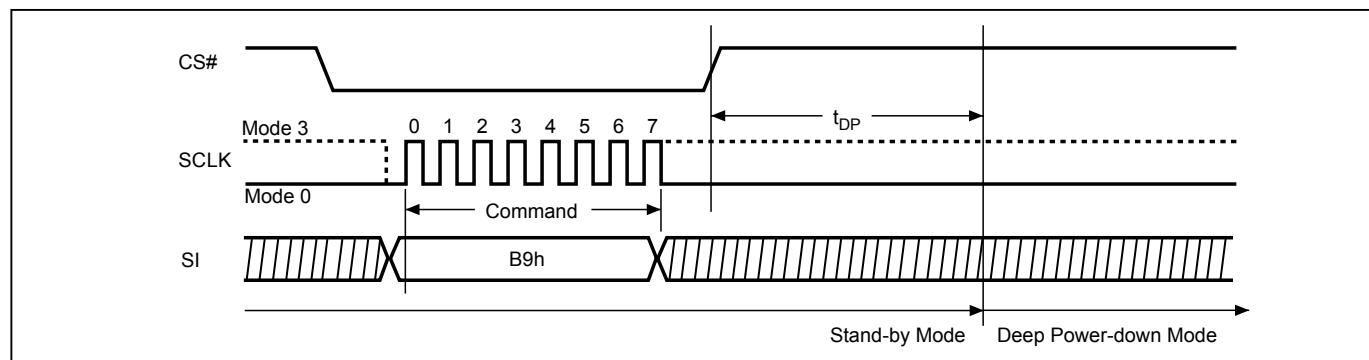
The Deep Power-down (DP) instruction is for setting the device to minimum power consumption (the standby current is reduced from ISB1 to ISB2). The Deep Power-down mode requires the Deep Power-down (DP) instruction to enter, during the Deep Power-down mode, the device is not active and all Write/Program/Erase instruction are ignored. When CS# goes high, it's only in deep power-down mode not standby mode. It's different from Standby mode.

The sequence of issuing DP instruction is: CS# goes low→sending DP instruction code→CS# goes high.

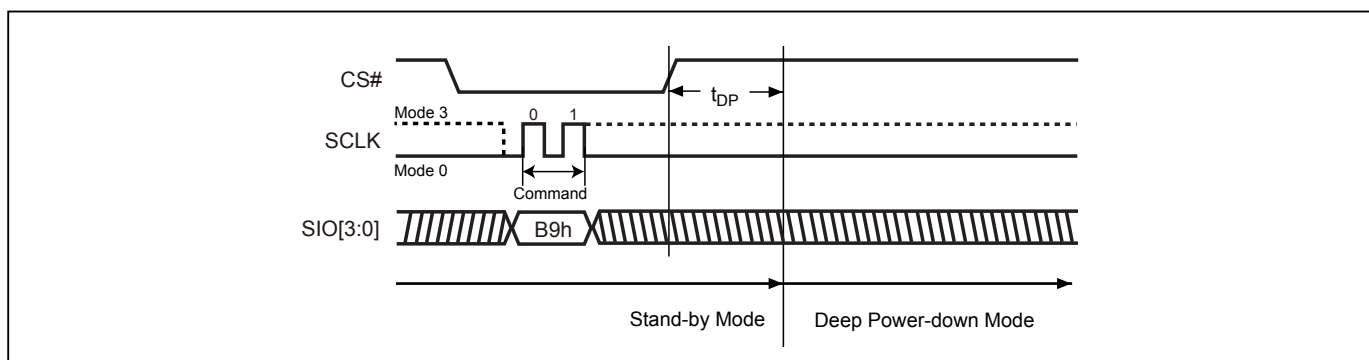
Both SPI (8 clocks) and QPI (2 clocks) command cycle can accept by this instruction. The SIO[3:1] are don't care when during SPI mode.

Once the DP instruction is set, all instruction will be ignored except the Release from Deep Power-down mode (RDP) and Read Electronic Signature (RES) instruction and softreset command. (those instructions allow the ID being reading out). When Power-down, or software reset command the deep power-down mode automatically stops, and when power-up, the device automatically is in standby mode. For DP instruction the CS# must go high exactly at the byte boundary (the latest eighth bit of instruction code been latched-in); otherwise, the instruction will not executed. As soon as Chip Select (CS#) goes high, a delay of  $t_{DP}$  is required before entering the Deep Power-down mode.

**Figure 81. Deep Power-down (DP) Sequence (SPI Mode)**



**Figure 82. Deep Power-down (DP) Sequence (QPI Mode)**





**10-31. Enter Secured OTP (ENSO)**

The ENSO instruction is for entering the additional 8K-bit secured OTP mode. While device is in secured OTP mode, main array access is not available. The additional 8K-bit secured OTP is independent from main array and may be used to store unique serial number for system identifier. After entering the Secured OTP mode, follow standard read or program procedure to read out the data or update data. The Secured OTP data cannot be updated again once it is lock-down.

The sequence of issuing ENSO instruction is: CS# goes low→ sending ENSO instruction to enter Secured OTP mode→ CS# goes high.

Both SPI (8 clocks) and QPI (2 clocks) command cycle can accept by this instruction. The SIO[3:1] are don't care when during SPI mode.

Please note that after issuing ENSO command user can only access secure OTP region with standard read or program procedure. Furthermore, once security OTP is lock down, only read related commands are valid.

**10-32. Exit Secured OTP (EXSO)**

The EXSO instruction is for exiting the secured OTP mode.

The sequence of issuing EXSO instruction is: CS# goes low→ sending EXSO instruction to exit Secured OTP mode→ CS# goes high.

Both SPI (8 clocks) and QPI (2 clocks) command cycle can accept by this instruction. The SIO[3:1] are don't care when during SPI mode.

**10-33. Read Security Register (RDSCUR)**

The RDSCUR instruction is for reading the value of Security Register bits. The Read Security Register can be read at any time (even in program/erase/write status register/write security register condition) and continuously.

The sequence of issuing RDSCUR instruction is : CS# goes low→sending RDSCUR instruction→Security Register data out on SO→ CS# goes high.

Both SPI (8 clocks) and QPI (2 clocks) command cycle can accept by this instruction. The SIO[3:1] are don't care when during SPI mode.

**10-34. Write Security Register (WRSCUR)**

The WRSCUR instruction is for changing the values of Security Register Bits. The WREN (Write Enable) instruction is required before issuing WRSCUR instruction. The WRSCUR instruction may change the values of bit1 (LDSO bit) for customer to lock-down the Secured OTP area. Once the LDSO bit is set to "1", the Secured OTP area cannot be updated any more.

The sequence of issuing WRSCUR instruction is :CS# goes low→ sending WRSCUR instruction → CS# goes high.

Both SPI (8 clocks) and QPI (2 clocks) command cycle can accept by this instruction. The SIO[3:1] are don't care when during SPI mode.

The CS# must go high exactly at the boundary; otherwise, the instruction will be rejected and not executed.

### 10-35. Write Protection Selection (WPSEL)

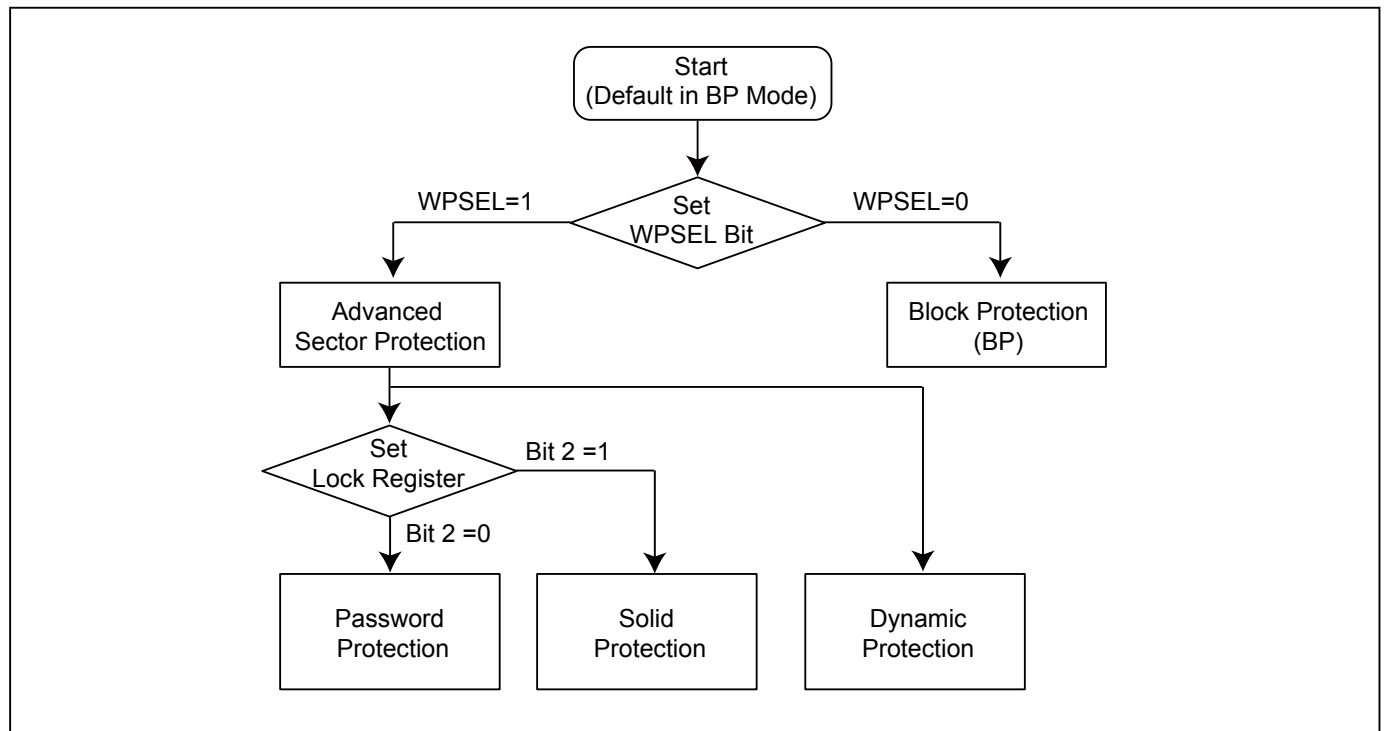
There are two write protection methods provided on this device, (1) Block Protection (BP) mode or (2) Advanced Sector Protection mode. The protection modes are mutually exclusive. The WPSEL bit selects which protection mode is enabled. If WPSEL=0 (factory default), BP mode is enabled and Advanced Sector Protection mode is disabled. If WPSEL=1, Advanced Sector Protection mode is enabled and BP mode is disabled. The WPSEL command is used to set WPSEL=1. A WREN command must be executed to set the WEL bit before sending the WPSEL command. **Please note that the WPSEL bit is an OTP bit. Once WPSEL is set to “1”, it cannot be programmed back to “0”.**

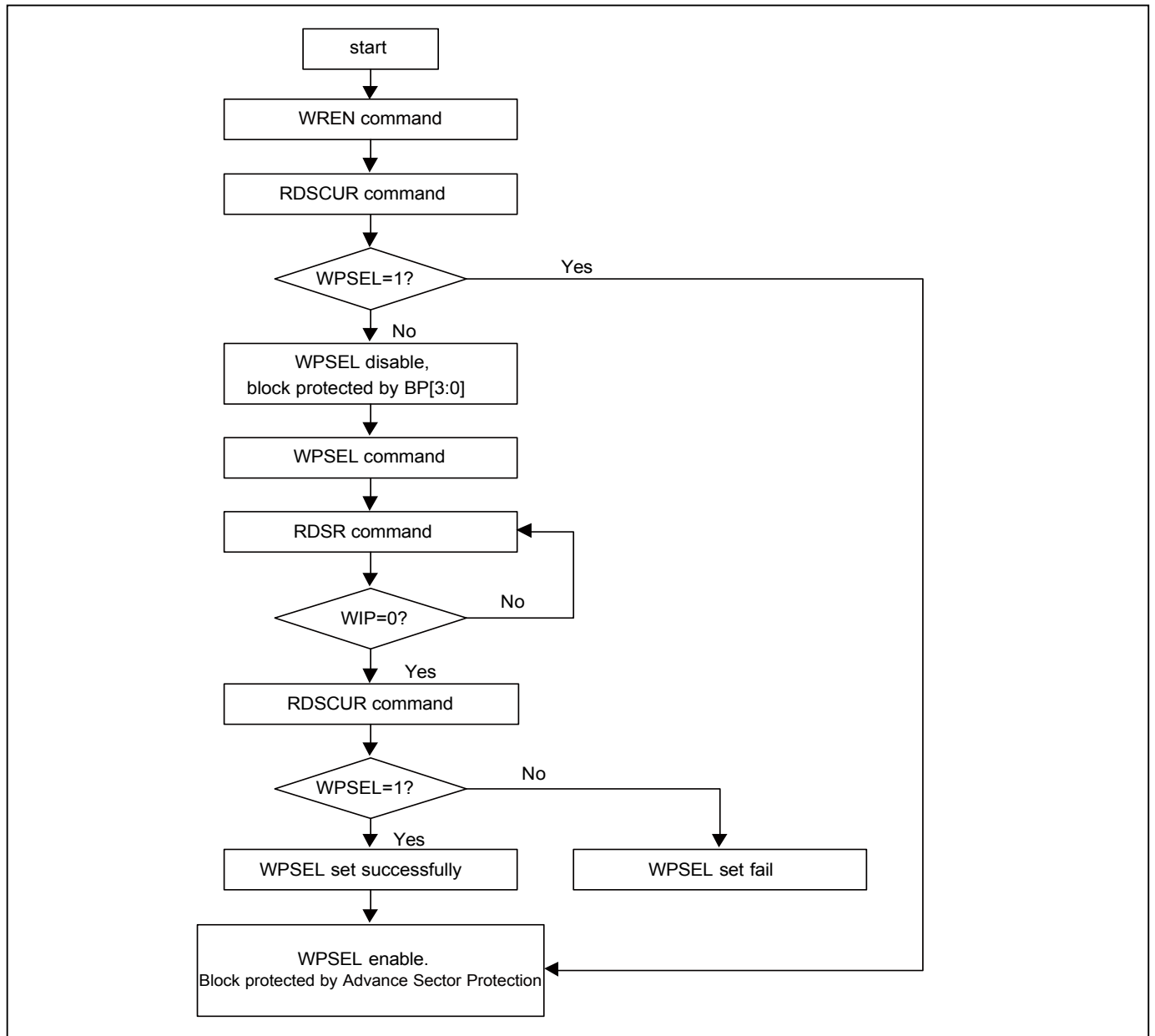
When WPSEL = 0: Block Protection (BP) mode,  
The memory array is write protected by the BP3~BP0 bits.

When WPSEL =1: Advanced Sector Protection mode,  
Blocks are individually protected by their own SPB or DPB. On power-up, all blocks are write protected by the Dynamic Protection Bits (DPB) by default. The Advanced Sector Protection instructions WRLR, RDLR, WRPASS, RDPASS, PASSULK, WRSPB, ESSPB, WRDPB, RDDPB, GBLK, and GBULK are activated. The BP3~BP0 bits of the Status Register are disabled and have no effect. Hardware protection is performed by driving WP#=0. Once WP#=0 all blocks and sectors are write protected regardless of the state of each SPB or DPB.

The sequence of issuing WPSEL instruction is: CS# goes low → send WPSEL instruction to enable the Advanced Sector Protect mode → CS# goes high.

#### Write Protection Selection



**Figure 83. WPSEL Flow**

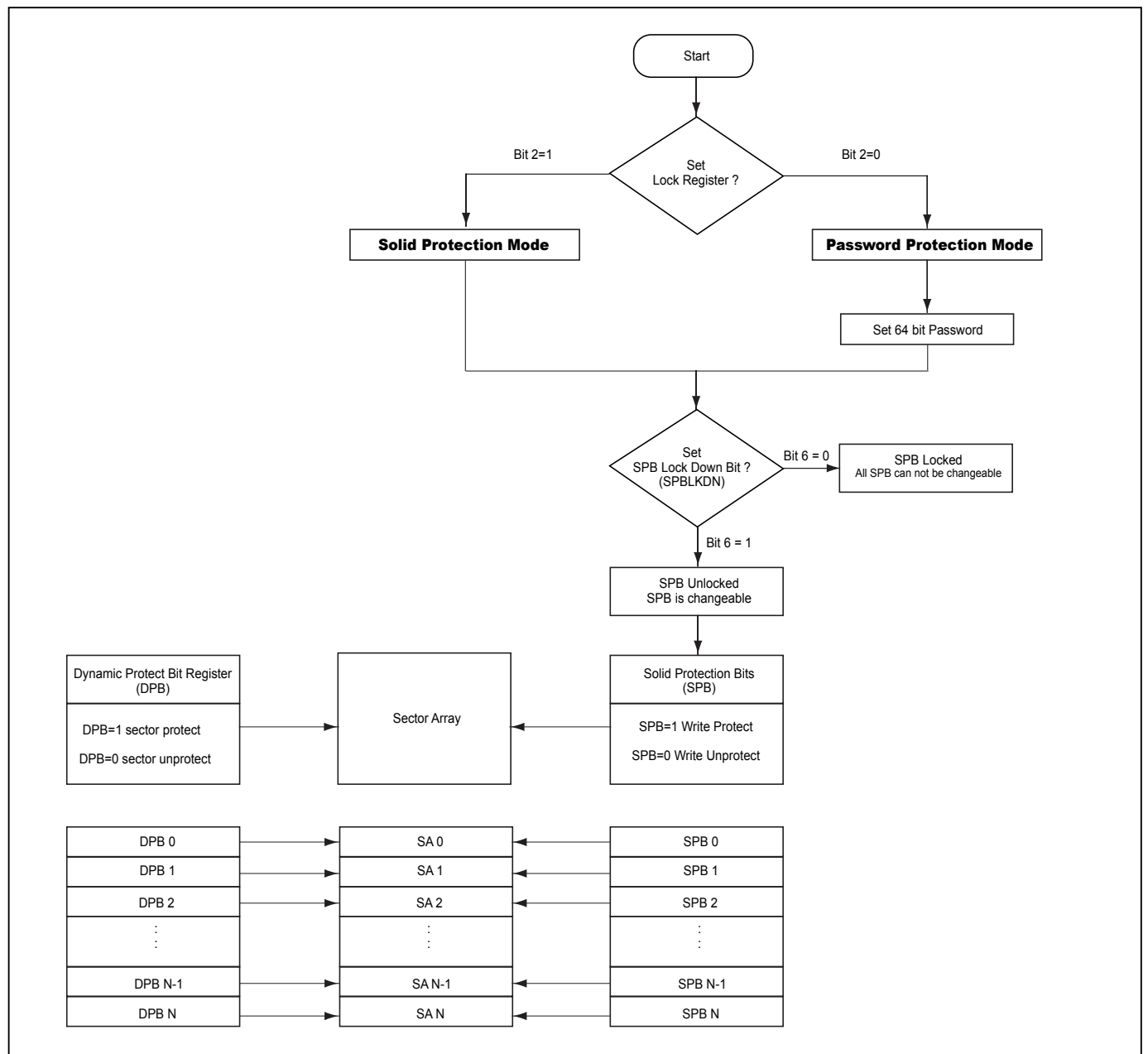
**10-36. Advanced Sector Protection**

There are two ways to implement software Advanced Sector Protection on this device. Through these two protection methods, user can disable or enable the programming or erasing operation to any individual sector or all sectors.

There is a non-volatile (SPB) and volatile (DPB) protection bit related to the single sector in main flash array. Each of the sectors is protected from programming or erasing operation when the bit is set.

The figure below helps describing an overview of these methods. The device is default to the Solid mode when shipped from factory. The detail algorithm of advanced sector protection is shown as follows:

**Figure 84. Advanced Sector Protection Overview**



### 10-36-1. Lock Register

The Lock Register is a 16-bit register. Lock Register Bit[6] is SPB Lock Down Bit (SPBLKDN) which is assigned to control all SPB bit status. Lock Register Bit[2] is Password Protection Mode Lock Bit. Both bits are defaulted as 1 when shipping from factory.

When SPBLKDN is 1, SPB can be changed. When it is locked as 0, all SPB can not be changed.

Users can choose their favorite sector protecting method via setting Lock Register Bit[2] using WRLR command. The device default status was in Solid Protection Mode (Bit[2]=1), Once Bit[2] has been programmed (cleared to "0"), the device will enable the Password Protection Mode and lock in that mode permanently.

In Solid Protection Mode (Bit[2]=1, factory default), the SPBLKDN can be programmed using the WRLR command and permanently lock down the SPB bits. After programming SPBLKDN to 0, all SPB can not be changed anymore, and neither Lock Register Bit[2] nor Bit[6] can be altered anymore.

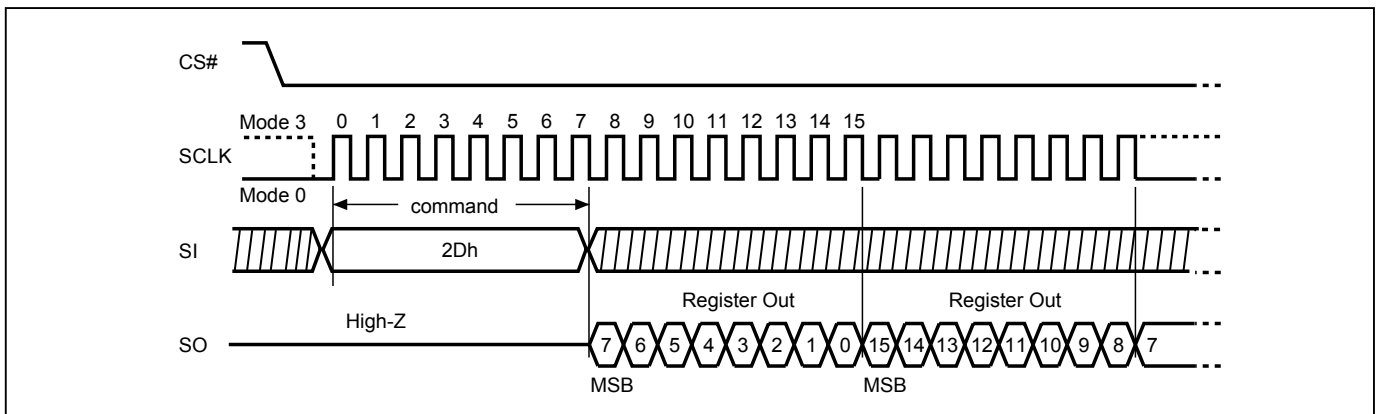
In Password Protection Mode (Bit[2]=0), the SPBLKDN becomes a volatile bit with default 0 (SPB bit protected). A correct password is required with PASSULK command to set SPBLKDN to 1. To clear SPBLKDN back to 0, a Hardware/Software Reset or power-up cycle is required.

If user selects Password Protection mode, the password setting is required. User can set password by issuing WRPASS command before Lock Register Bit[2] set to 0.

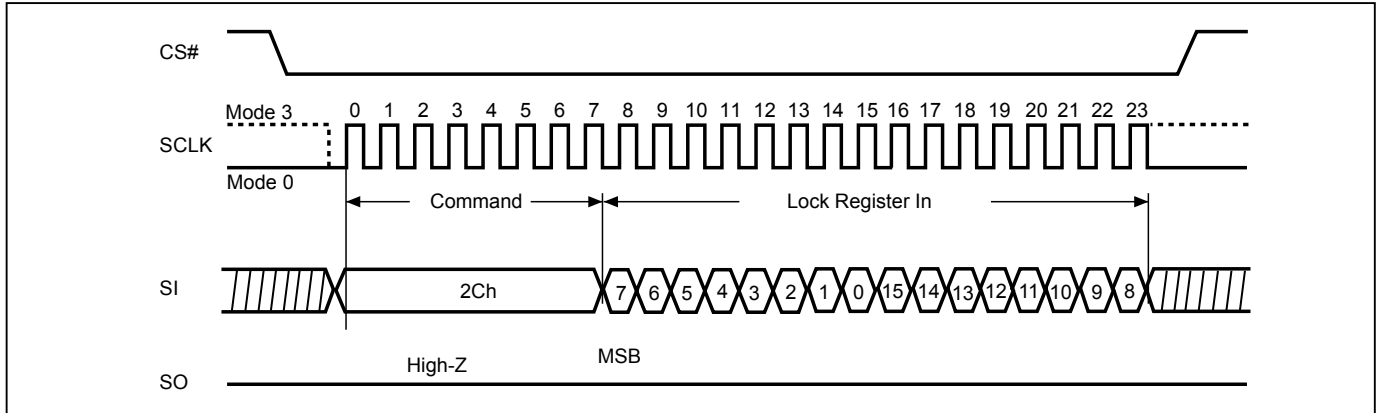
#### Lock Register

| Bits    | Description                       | Bit Status  | Default   | Type                              |
|---------|-----------------------------------|---|---|-----------------------------------|
| 15 to 7 | Reserved                          | Reserved  |   | Reserved                          |
| 6       | SPB Lock Down bit (SPBLKDN)       | 0: SPB bit Protected<br>1: SPB bit Unprotected                | Solid Protection Mode: 1<br>Password Protection Mode: 0 | Bit 2=1: OTP<br>Bit 2=0: Volatile |
| 5 to 3  | Reserved                          | Reserved  |   | Reserved                          |
| 2       | Password Protection Mode Lock Bit | 0=Password Protection Mode Enable<br>1= Solid Protection Mode | 1   | OTP                               |
| 1 to 0  | Reserved                          | Reserved  |   | Reserved                          |

**Figure 85. Read Lock Register (RDLR) Sequence**



**Figure 86. Write Lock Register (WRLR) Sequence (SPI Mode)**



### 10-36-2. Solid Protection Bits

The Solid Protection Bits (SPBs) are nonvolatile bits for enabling or disabling write-protection to sectors and blocks. The SPB bits have the same endurance as the Flash memory. An SPB is assigned to each 4KB sector in the bottom and top 64KB of memory and to each 64KB block in the remaining memory. The factory default state of the SPB bits is “0”, which has the sector/block write-protection disabled.

When an SPB is set to “1”, the associated sector or block is write-protected. Program and erase operations on the sector or block will be inhibited. SPBs can be individually set to “1” by the WRSPB command. However, the SPBs cannot be individually cleared to “0”. Issuing the ESSPB command clears all SPBs to “0”. A WREN command must be executed to set the WEL bit before sending the WRSPB or ESSPB command.

The SPBLKDN bit must be “1” before any SPB can be modified. In Solid Protection mode the SPBLKDN bit defaults to “1” after power-on or reset. Under Password Protection mode, the SPBLKDN bit defaults to “0” after power-on or reset, and a PASSULK command with a correct password is required to set the SPBLKDN bit to “1”.

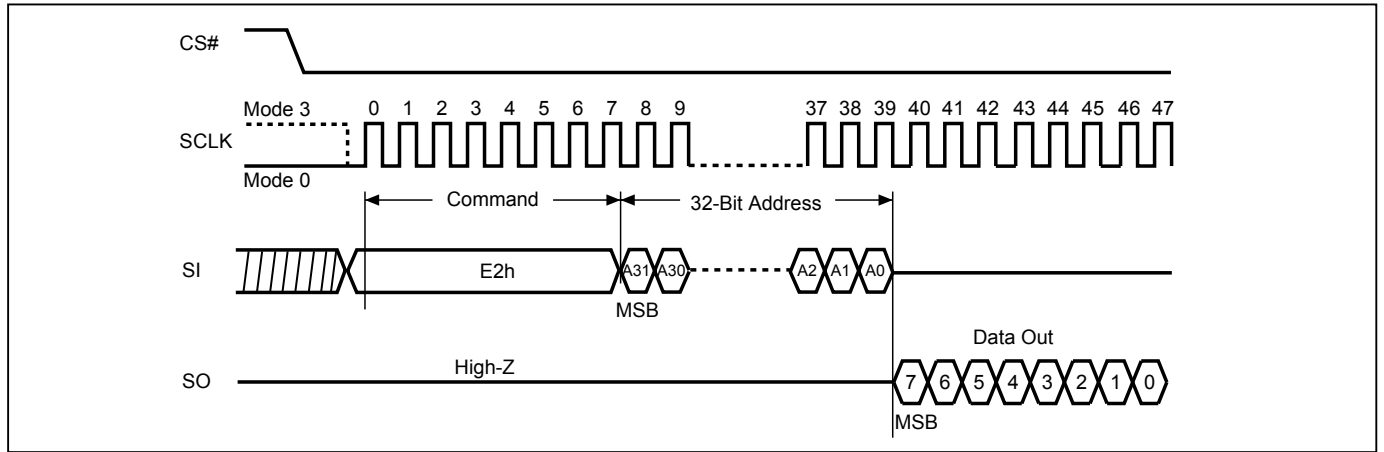
The RDSPB command reads the status of the SPB of a sector or block. The RDSPB command returns 00h if the SPB is “0”, indicating write-protection is disabled. The RDSPB command returns FFh if the SPB is “1”, indicating write-protection is enabled.

**Note:** If SPBLKDN=0, commands to set or clear the SPB bits will be ignored.

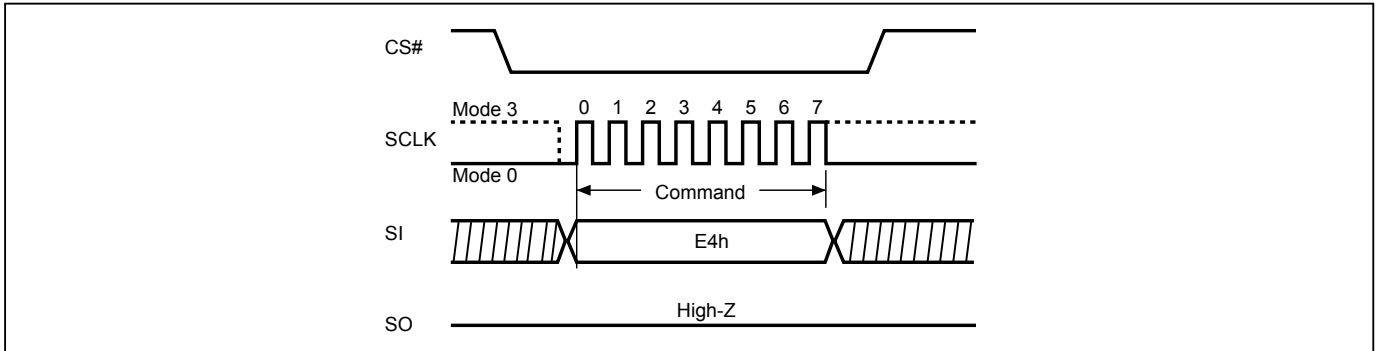
### SPB Register

| Bit    | Description               | Bit Status   | Default | Type         |
|--------|---------------------------|--|---------|--------------|
| 7 to 0 | SPB (Solid protected Bit) | 00h= SPB for the sector address unprotected<br>FFh= SPB for the sector address protected | 00h     | Non-volatile |

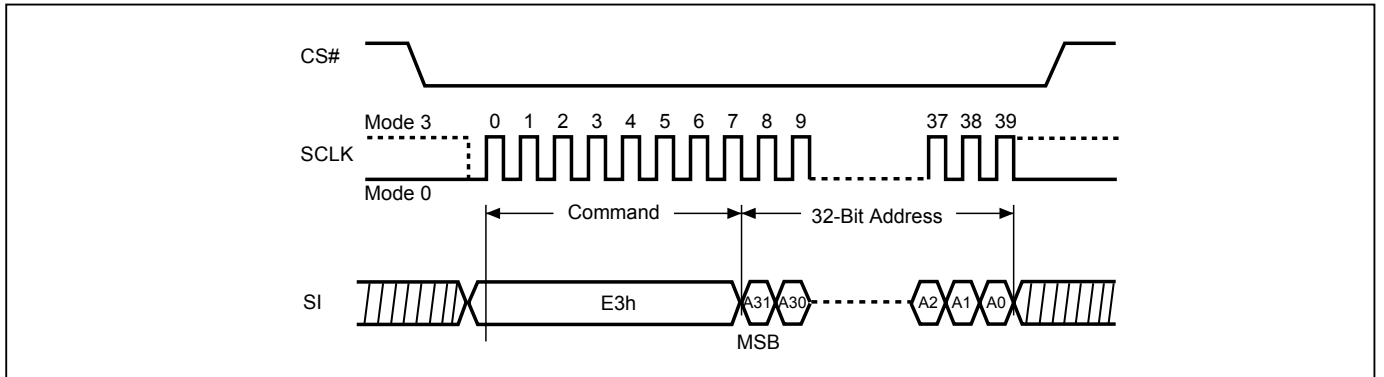
**Figure 87. Read SPB Status (RDSPB) Sequence**



**Figure 88. SPB Erase (ESSPB) Sequence**



**Figure 89. SPB Program (WRSPB) Sequence**



### 10-36-3. Dynamic Write Protection Bits

The Dynamic Protection features a volatile type protection to each individual sector. It can protect sectors from unintentional change, and is easy to disable when there are necessary changes.

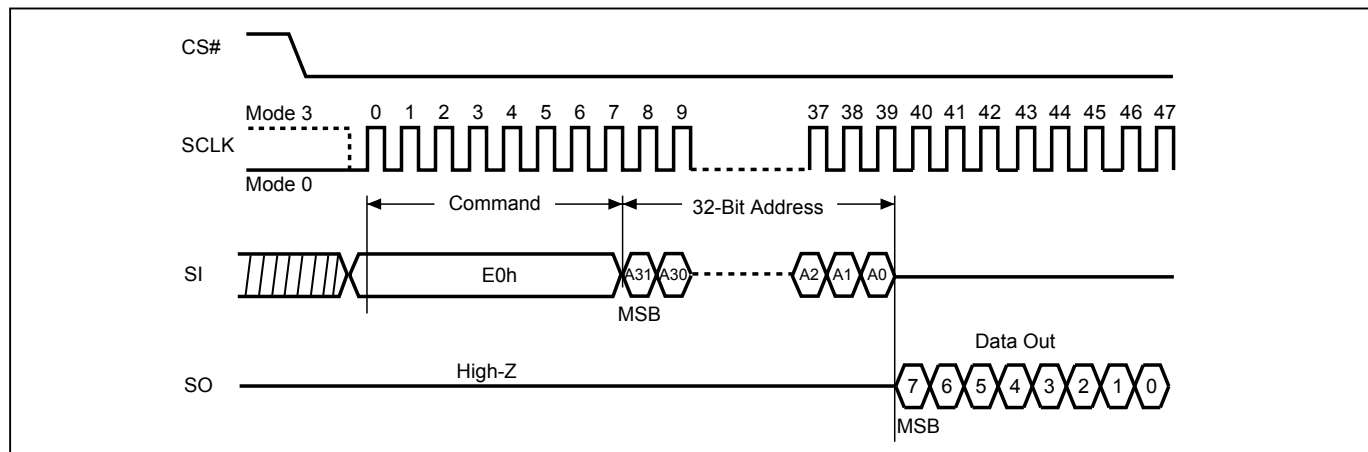
All DPBs are default as protected (FFh) after reset or upon power up cycle. Via setting up Dynamic Protection bit (DPB) by write DPB command (WRDPB), user can cancel the Dynamic Protection of associated sector.

The Dynamic Protection only works on those unprotected sectors whose SPBs are cleared. After the DPB state is cleared to "0", the sector can be modified if the SPB state is unprotected state.

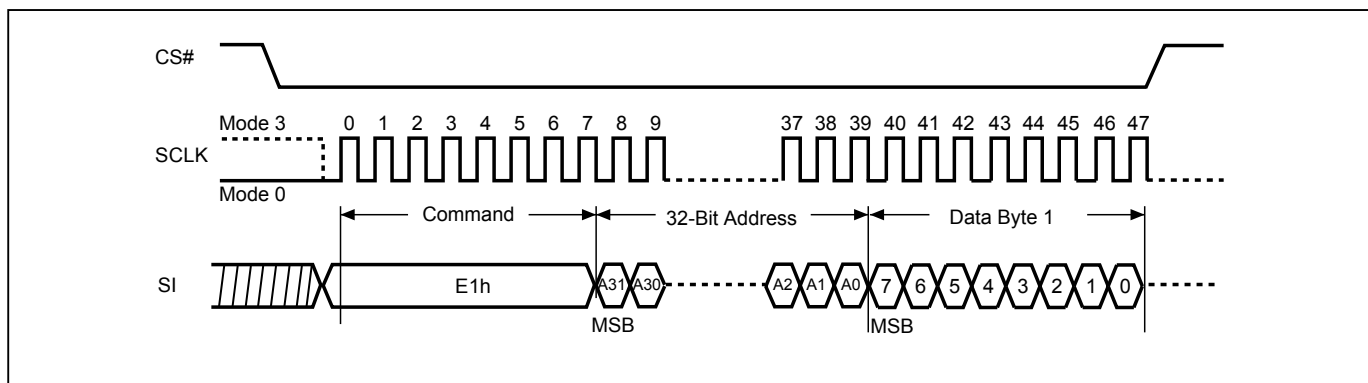
#### DPB Register

| Bit    | Description                 | Bit Status   | Default | Type     |
|--------|-----------------------------|--|---------|----------|
| 7 to 0 | DPB (Dynamic protected Bit) | 00h= DPB for the sector address unprotected<br>FFh= DPB for the sector address protected | FFh     | Volatile |

**Figure 90. Read DPB Register (RDDPB) Sequence**



**Figure 91. Write DPB Register (WRDPB) Sequence**





#### 10-36-4. Password Protection Mode

Password Protection mode potentially provides a higher level of security than Solid Protection mode. In Password Protection mode, the SPBLKDN bit defaults to “0” after a power-on cycle or reset. When SPBLKDN=0, the SPBs are locked and cannot be modified. A 64-bit password must be provided to unlock the SPBs.

The PASSULK command with the correct password will set the SPBLKDN bit to “1” and unlock the SPB bits. After the correct password is given, a wait of 2us is necessary for the SPB bits to unlock. The Status Register WIP bit will clear to “0” upon completion of the PASSULK command. Once unlocked, the SPB bits can be modified. A WREN command must be executed to set the WEL bit before sending the PASSULK command.

Several steps are required to place the device in Password Protection mode. Prior to entering the Password Protection mode, it is necessary to set the 64-bit password and verify it. The WRPASS command writes the password and the RDPASS command reads back the password. Password verification is permitted until the Password Protection Mode Lock Bit has been written to “0”. Password Protection mode is activated by programming the Password Protection Mode Lock Bit to “0”. This operation is not reversible. Once the bit is programmed, it cannot be erased. The device remains permanently in Password Protection mode and the 64-bit password can neither be retrieved nor reprogrammed.

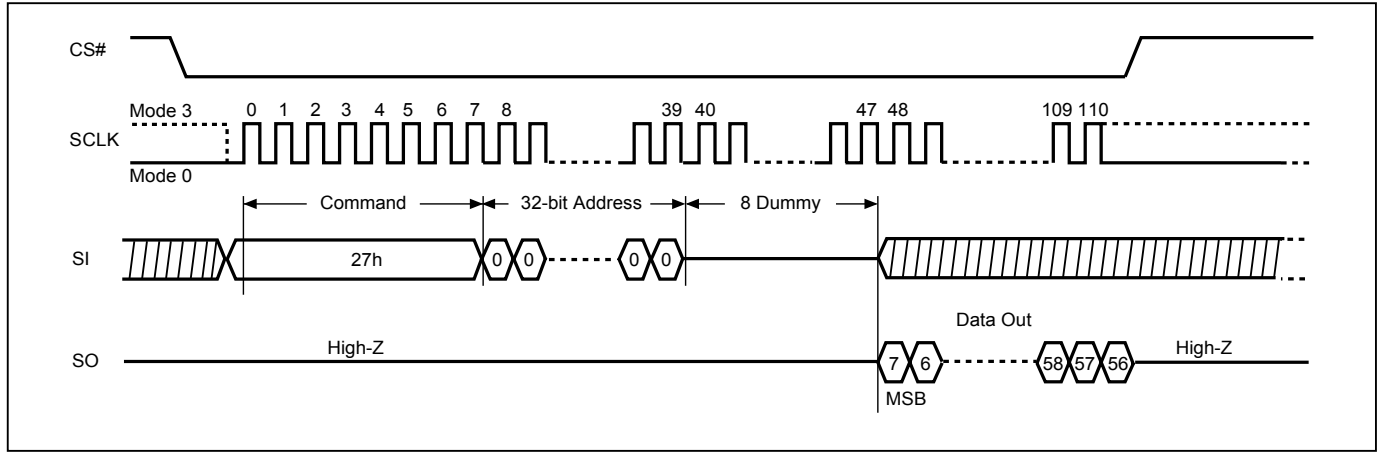
The password is all “1’s” when shipped from the factory. The WRPASS command can only program password bits to “0”. The WRPASS command cannot program “0’s” back to “1’s”. All 64-bit password combinations are valid password options. A WREN command must be executed to set the WEL bit before sending the WRPASS command.

- The unlock operation will fail if the password provided by the PASSULK command does not match the stored password. This will set the P\_FAIL bit to “1” and insert a delay before clearing the WIP bit to “0”. User has to wait 150us before issuing another PASSULK command. This restriction makes it impractical to attempt all combinations of a 64-bit password (such an effort would take millions of years). Monitor the WIP bit to determine whether the device has completed the PASSULK command.
- When a valid password is provided, the PASSULK command does not insert the delay before returning the WIP bit to zero. The SPBLKDN bit will set to “1” and the P\_FAIL bit will be “0”.
- It is not possible to set the SPBLKDN bit to “1” if the password had not been set prior to the Password Protection mode being selected.

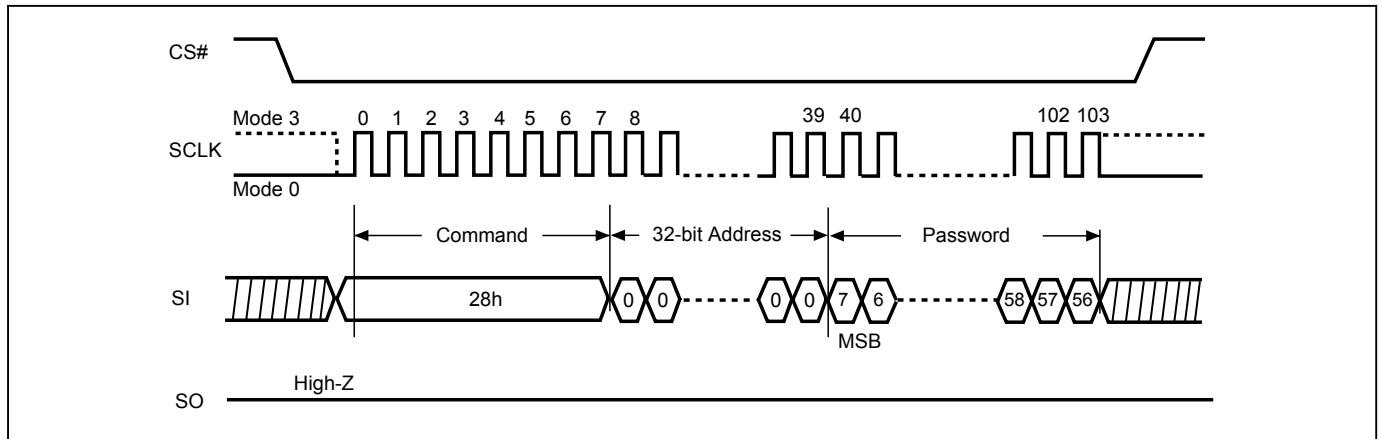
#### Password Register (PASS)

| Bits    | Field Name | Function        | Type | Default State     | Description  |
|---------|------------|-----------------|------|-------------------|--|
| 63 to 0 | PWD        | Hidden Password | OTP  | FFFFFFFFFFFFFFFFh | Non-volatile OTP storage of 64 bit password. The password is no longer readable after the Password Protection mode is selected by programming Lock Register bit 2 to zero. |

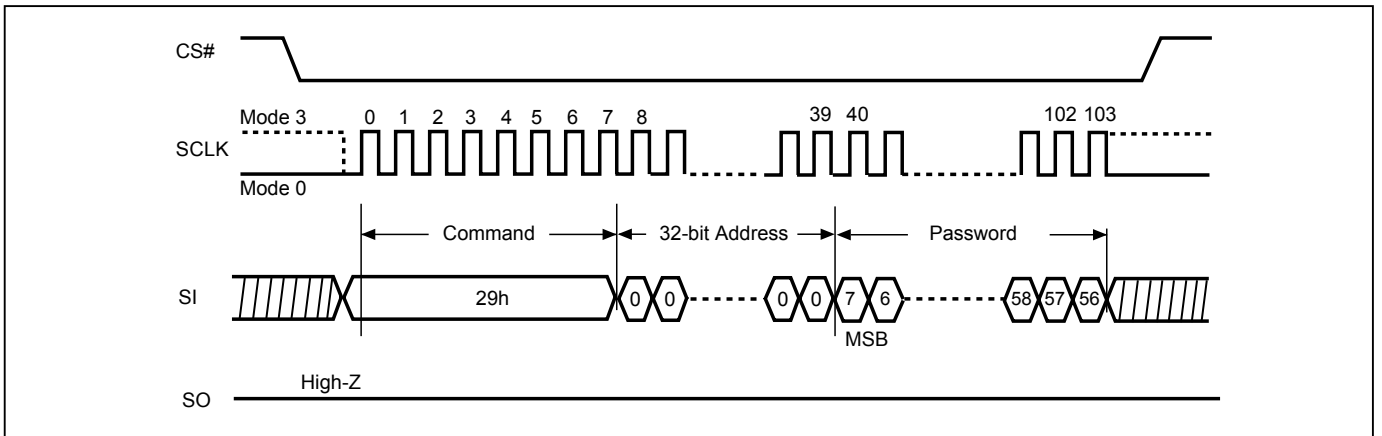
**Figure 92. Read Password Register (RDPASS) Sequence**



**Figure 93. Write Password Register (WRPASS) Sequence**



**Figure 94. Password Unlock (PASSULK) Sequence**



**10-36-5. Gang Block Lock/Unlock (GBLK/GBULK)**

These instructions are only effective after WPSEL was executed. The GBLK/GBULK instruction is a chip-based protected or unprotected operation. It can enable or disable all DPB.

The WREN (Write Enable) instruction is required before issuing GBLK/GBULK instruction.

The sequence of issuing GBLK/GBULK instruction is: CS# goes low → send GBLK/GBULK (7Eh/98h) instruction → CS# goes high.

The CS# must go high exactly at the byte boundary, otherwise, the instruction will be rejected and not be executed.

**10-36-6. Sector Protection States Summary Table**

| Protection Status |         | Sector State |
|-------------------|---------|--------------|
| DPB bit           | SPB bit |              |
| 0                 | 0       | Unprotect    |
| 0                 | 1       | Protect      |
| 1                 | 0       | Protect      |
| 1                 | 1       | Protect      |

### 10-37. Program Suspend and Erase Suspend

The Suspend instruction interrupts a Program or Erase operation to allow the device conduct other operations.

After the device has entered the suspended state, the memory array can be read except for the page being programmed or the sector being erased.

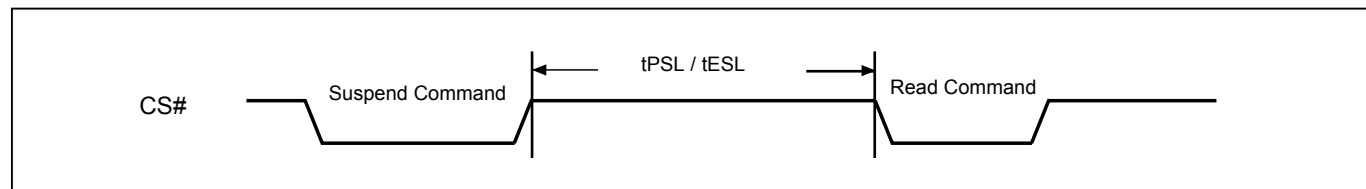
Security Register bit 2 (PSB) and bit 3 (ESB) can be read to check the suspend status. The PSB (Program Suspend Bit) sets to “1” when a program operation is suspended. The ESB (Erase Suspend Bit) sets to “1” when an erase operation is suspended. The PSB or ESB clears to “0” when the program or erase operation is resumed.

When the Serial NOR Flash receives the Suspend instruction, Program Suspend Latency( $t_{PSL}$ ) or Erase Suspend latency( $t_{ESL}$ ) is required to complete suspend operation. (Refer to ["Table 23. AC CHARACTERISTICS"](#)) After the device has entered the suspended state, the WEL bit is clears to “0” and the PSB or ESB in security register is set to “1”, then the device is ready to accept another command.

However, some commands can be executed without  $t_{PSL}$  or  $t_{ESL}$  latency during the program/erase suspend, and can be issued at any time during the Suspend.

Please refer to ["Table 13. Acceptable Commands During Suspend"](#).

**Figure 95. Suspend to Read Latency**

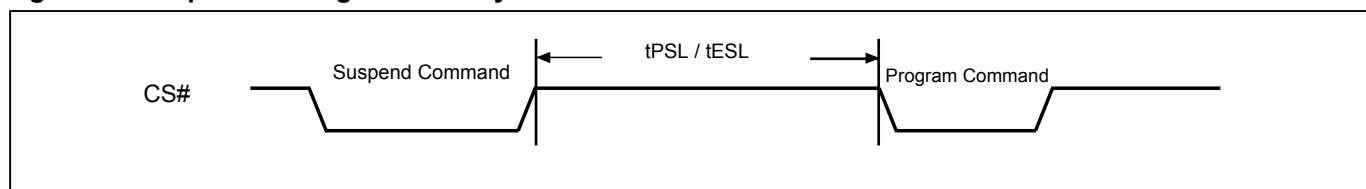


#### 10-37-1. Erase Suspend to Program

The “Erase Suspend to Program” feature allows Page Programming while an erase operation is suspended. Page Programming is permitted in any unprotected memory except within the sector of a suspended Sector Erase operation or within the block of a suspended Block Erase operation. The Write Enable (WREN) instruction must be issued before any Page Program instruction.

A Page Program operation initiated within a suspended erase cannot itself be suspended and must be allowed to finish before the suspended erase can be resumed. The Status Register can be polled to determine the status of the Page Program operation. The WEL and WIP bits of the Status Register will remain “1” while the Page Program operation is in progress and will both clear to “0” when the Page Program operation completes.

**Figure 96. Suspend to Program Latency**



**Table 13. Acceptable Commands During Suspend**

| Command Name                                  | Command Code | Suspend Type    |               |
|---|--------------|-----------------|---------------|
|   |              | Program Suspend | Erase Suspend |
| <b>Commands which require tPSL/tESL delay</b> |              |                 |               |
| READ  | 03h          | •               | •             |
| FAST READ                                     | 0Bh          | •               | •             |
| 2READ   | BBh          | •               | •             |
| DREAD   | 3Bh          | •               | •             |
| 4READ   | EBh          | •               | •             |
| QREAD   | 6Bh          | •               | •             |
| 4READ4B                                       | ECh          | •               | •             |
| 4DTRD   | EDh          | •               | •             |
| 4DTRD4B                                       | EEh          | •               | •             |
| FASTREAD4B                                    | 0Ch          | •               | •             |
| 2READ4B                                       | BCh          | •               | •             |
| DREAD4B                                       | 3Ch          | •               | •             |
| RDSFDP  | 5Ah          | •               | •             |
| RDID  | 9Fh          | •               | •             |
| QPIID   | AFh          | •               | •             |
| SBL   | C0h          | •               | •             |
| ENSO  | B1h          | •               | •             |
| EXSO  | C1h          | •               | •             |
| WREN  | 06h          | •               | •             |
| RESUME  | 30h          | •               | •             |
| RDLR  | 2Dh          | •               | •             |
| RDSPB   | E2h          | •               | •             |
| RDFBR   | 16h          | •               | •             |
| RDDPB   | E0h          | •               | •             |
| EQIO  | 35h          | •               | •             |
| RSTQIO  | F5h          | •               | •             |
| REMS  | 90h          | •               | •             |
| <b>Commands not required tPSL/tESL delay</b>  |              |                 |               |
| WRDI  | 04h          | •               | •             |
| RDSR  | 05h          | •               | •             |
| RDCR  | 15h          | •               | •             |
| RDSCUR  | 2Bh          | •               | •             |
| RES   | ABh          | •               | •             |
| RSTEN   | 66h          | •               | •             |
| RST   | 99h          | •               | •             |
| NOP   | 00h          | •               | •             |

**10-38. Program Resume and Erase Resume**

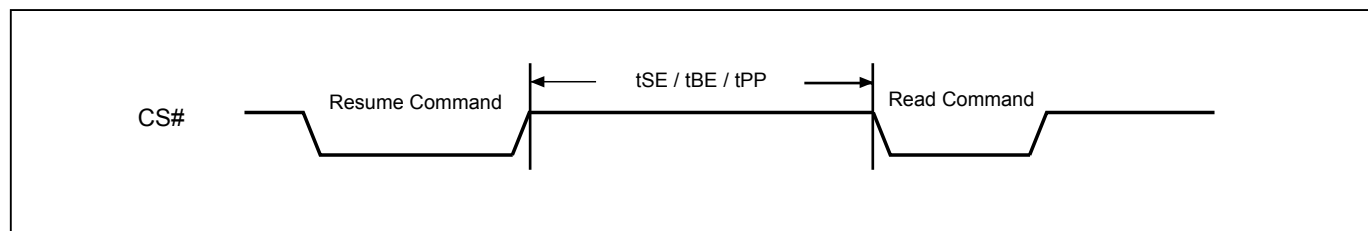
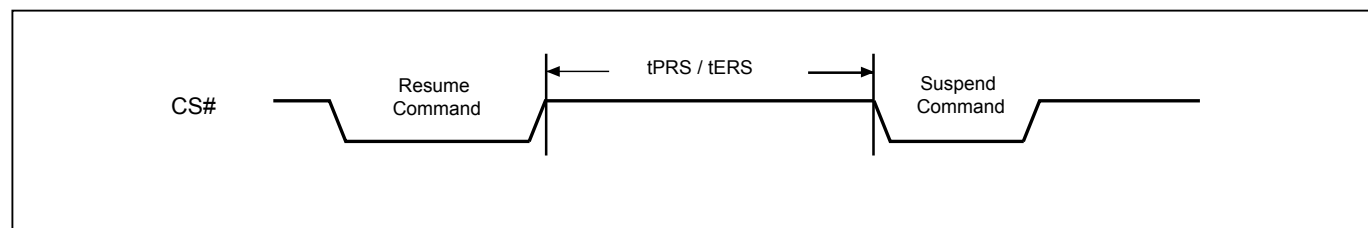
The Resume instruction resumes a suspended Program or Erase operation. After the device receives the Resume instruction, the WEL and WIP bits are set to “1” and the PSB or ESB is cleared to “0”. The program or erase operation will continue until it is completed or until another Suspend instruction is received.

To issue another Suspend instruction, the minimum resume-to-suspend latency ( $t_{PRS}$  or  $t_{ERS}$ ) is required. However, in order to finish the program or erase progress, a period equal to or longer than the typical timing is required.

To issue other command except suspend instruction, a latency of the self-timed Page Program Cycle time ( $t_{PP}$ ) or Sector Erase ( $t_{SE}$ ) is required. The WEL and WIP bits are cleared to “0” after the Program or Erase operation is completed.

**Note:**

The Resume instruction will be ignored during Performance Enhance Mode. Make sure the Serial NOR Flash has exited the Performance Enhance Mode before issuing the Resume instruction.

**Figure 97. Resume to Read Latency****Figure 98. Resume to Suspend Latency**

### **10-39. No Operation (NOP)**

The “No Operation” command is only able to terminate the Reset Enable (RSTEN) command and will not affect any other command.

Both SPI (8 clocks) and QPI (2 clocks) command cycle can accept by this instruction. The SIO[3:1] are don't care during SPI mode.

### **10-40. Software Reset (Reset-Enable (RSTEN) and Reset (RST))**

The Software Reset operation combines two instructions: Reset-Enable (RSTEN) command and Reset (RST) command. It returns the device to standby mode. All the volatile bits and settings will be cleared then, which makes the device return to the default status as power on.

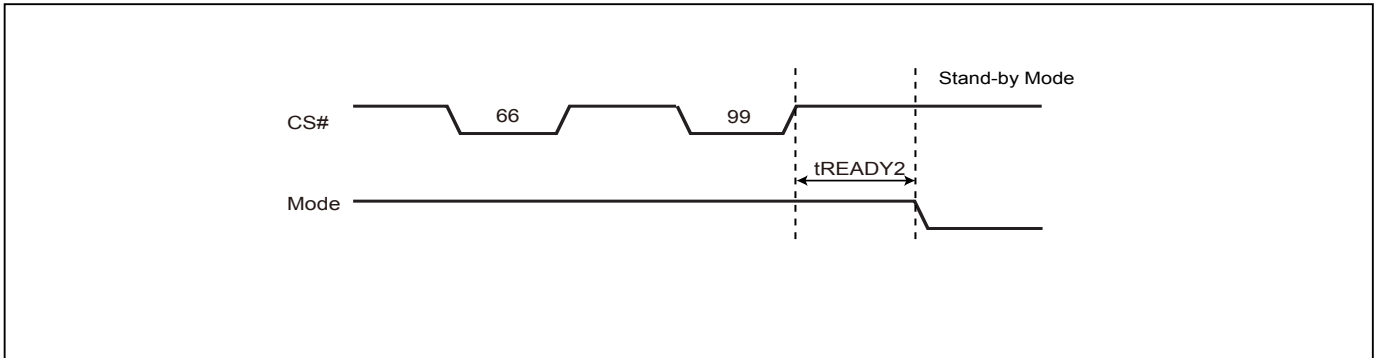
To execute Reset command (RST), the Reset-Enable (RSTEN) command must be executed first to perform the Reset operation. If there is any other command to interrupt after the Reset-Enable command, the Reset-Enable will be invalid.

Both SPI (8 clocks) and QPI (2 clocks) command cycle can accept by this instruction. The SIO[3:1] are don't care when during SPI mode.

If the Reset command is executed during program or erase operation, the operation will be disabled, the data under processing could be damaged or lost.

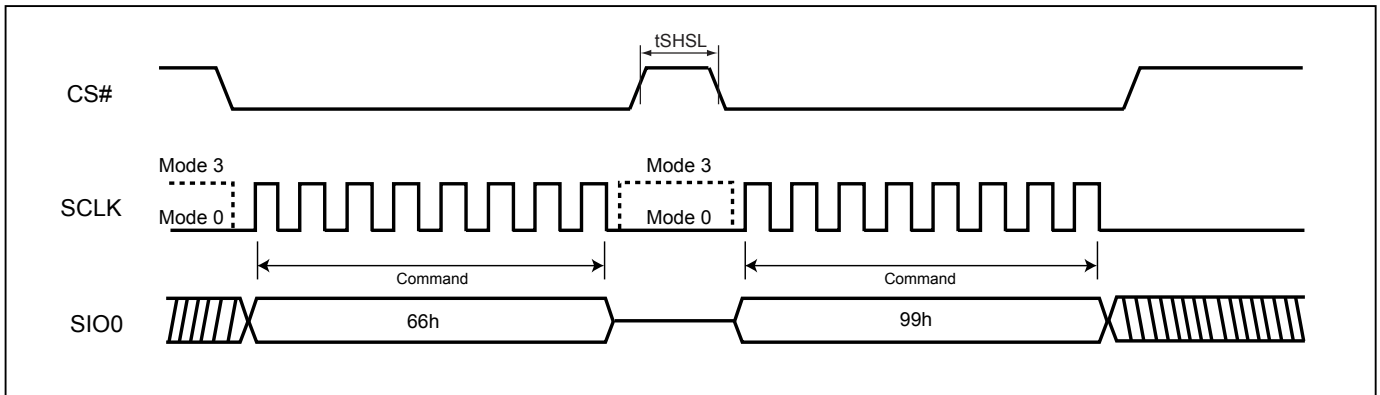
The reset time is different depending on the last operation. For details, please refer to ["Table 19. Reset Timing- \(Other Operation\)"](#) for tREADY2.

**Figure 99. Software Reset Recovery**

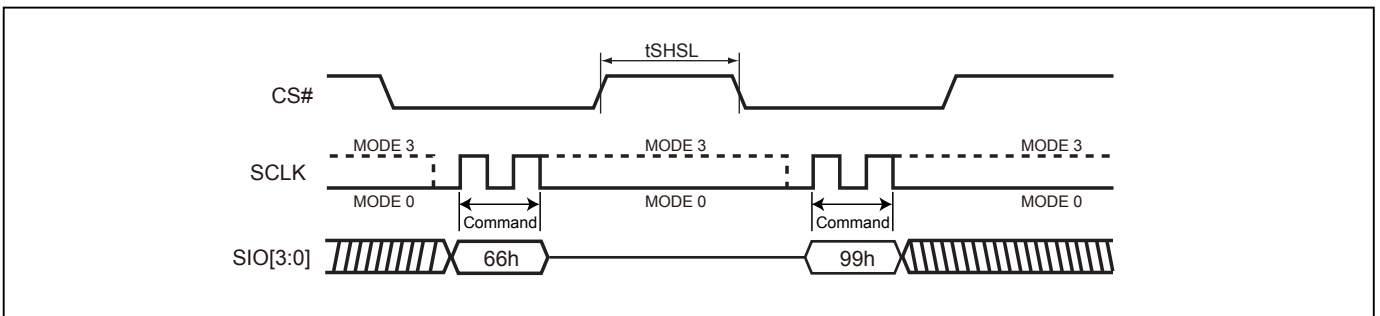


Note: Refer to "Table 19. Reset Timing-(Other Operation)" for tREADY2.

**Figure 100. Reset Sequence (SPI mode)**



**Figure 101. Reset Sequence (QPI mode)**





## 11. Serial Flash Discoverable Parameter (SFDP)

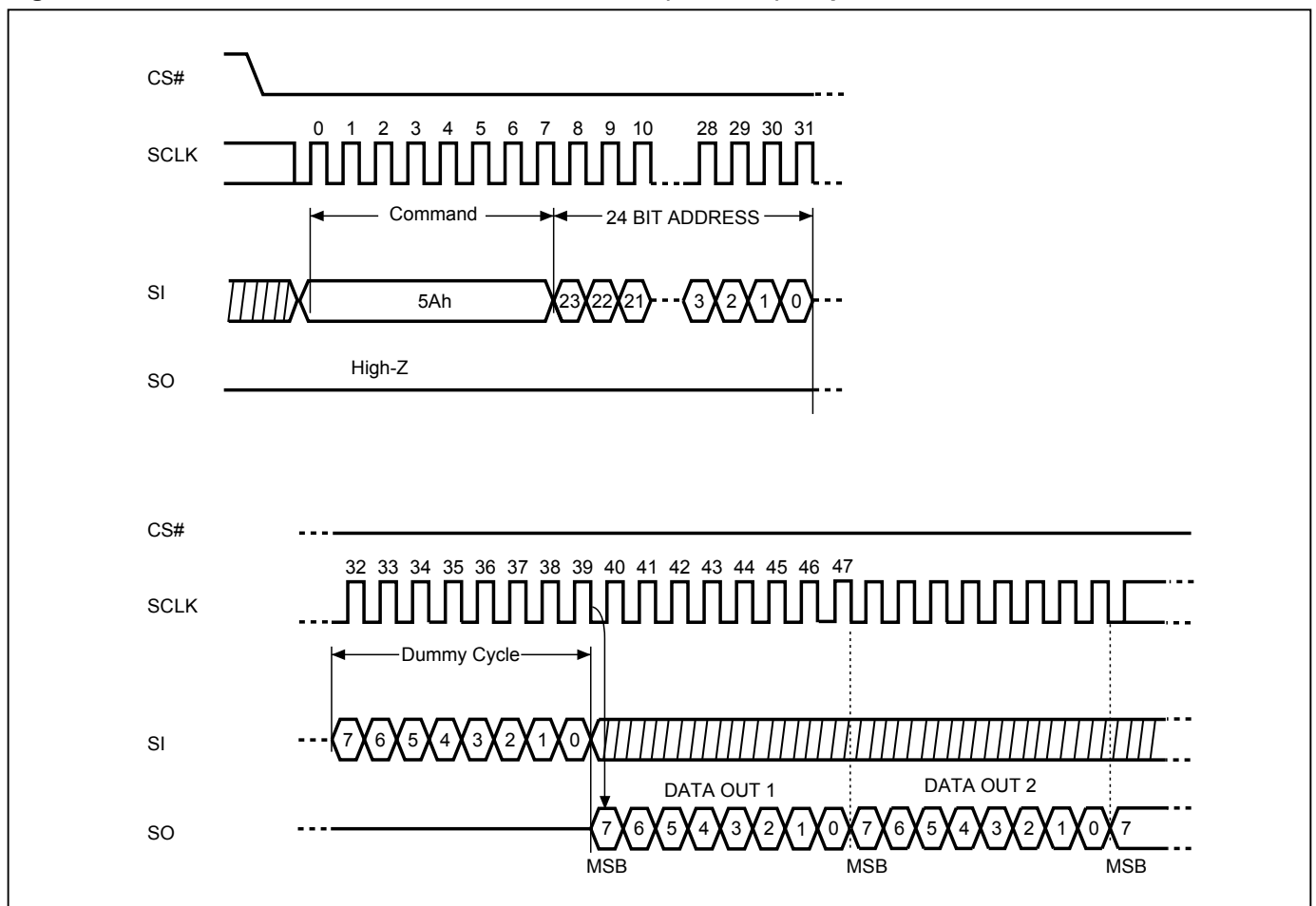
### 11-1. Read SFDP Mode (RDSFDP)

The Serial Flash Discoverable Parameter (SFDP) standard provides a consistent method of describing the functional and feature capabilities of serial flash devices in a standard set of internal parameter tables. These parameter tables can be interrogated by host system software to enable adjustments needed to accommodate divergent features from multiple vendors. The concept is similar to the one found in the Introduction of JEDEC Standard, JESD68 on CFI.

The sequence of issuing RDSFDP instruction is CS# goes low→send RDSFDP instruction (5Ah)→send 3 address bytes on SI pin→send 1 dummy byte on SI pin→read SFDP code on SO→to end RDSFDP operation can use CS# to high at any time during data out.

SFDP is a JEDEC Standard, JESD216B.

**Figure 102. Read Serial Flash Discoverable Parameter (RDSFDP) Sequence**



**Table 14. Signature and Parameter Identification Data Values**

SFDP Table (JESD216B) below is for MX66U2G45GXRI00

| Description                             | Comment  | Add (h)<br>(Byte) | DW Add<br>(Bit) | Data (h/b)<br>(Note1) | Data<br>(h) |
|---|--|-------------------|-----------------|-----------------------|-------------|
| SFDP Signature                          | Fixed: 50444653h   | 00h               | 07:00           | 53h                   | 53h         |
|   |  | 01h               | 15:08           | 46h                   | 46h         |
|   |  | 02h               | 23:16           | 44h                   | 44h         |
|   |  | 03h               | 31:24           | 50h                   | 50h         |
| SFDP Minor Revision Number              | Start from 00h   | 04h               | 07:00           | 06h                   | 06h         |
| SFDP Major Revision Number              | Start from 01h   | 05h               | 15:08           | 01h                   | 01h         |
| Number of Parameter Headers             | This number is 0-based. Therefore, 0 indicates 1 parameter header. | 06h               | 23:16           | 02h                   | 02h         |
| Unused                                  |  | 07h               | 31:24           | FFh                   | FFh         |
| ID number (JEDEC)                       | 00h: it indicates a JEDEC specified header.                        | 08h               | 07:00           | 00h                   | 00h         |
| Parameter Table Minor Revision Number   | Start from 00h   | 09h               | 15:08           | 06h                   | 06h         |
| Parameter Table Major Revision Number   | Start from 01h   | 0Ah               | 23:16           | 01h                   | 01h         |
| Parameter Table Length (in double word) | How many DWORDs in the Parameter table                             | 0Bh               | 31:24           | 10h                   | 10h         |
| Parameter Table Pointer (PTP)           | First address of JEDEC Flash Parameter table                       | 0Ch               | 07:00           | 30h                   | 30h         |
|   |  | 0Dh               | 15:08           | 00h                   | 00h         |
|   |  | 0Eh               | 23:16           | 00h                   | 00h         |
| Unused                                  |  | 0Fh               | 31:24           | FFh                   | FFh         |

SFDP Table below is for MX66U2G45GXRI00

| Description                                | Comment   | Add (h)<br>(Byte) | DW Add<br>(Bit) | Data (h/b)<br>(Note1) | Data<br>(h) |
|--|---|-------------------|-----------------|-----------------------|-------------|
| ID number<br>(Macronix manufacturer ID)    | it indicates Macronix manufacturer ID             | 10h               | 07:00           | C2h                   | C2h         |
| Parameter Table Minor Revision Number      | Start from 00h                                    | 11h               | 15:08           | 00h                   | 00h         |
| Parameter Table Major Revision Number      | Start from 01h                                    | 12h               | 23:16           | 01h                   | 01h         |
| Parameter Table Length<br>(in double word) | How many DWORDs in the Parameter table            | 13h               | 31:24           | 04h                   | 04h         |
| Parameter Table Pointer (PTP)              | First address of Macronix Flash Parameter table   | 14h               | 07:00           | 10h                   | 10h         |
|  |   | 15h               | 15:08           | 01h                   | 01h         |
|  |   | 16h               | 23:16           | 00h                   | 00h         |
| Unused                                     |   | 17h               | 31:24           | FFh                   | FFh         |
| ID number<br>(4-byte Address Instruction)  | 4-byte Address Instruction parameter ID           | 18h               | 07:00           | 84h                   | 84h         |
| Parameter Table Minor Revision Number      | Start from 00h                                    | 19h               | 15:08           | 00h                   | 00h         |
| Parameter Table Major Revision Number      | Start from 01h                                    | 1Ah               | 23:16           | 01h                   | 01h         |
| Parameter Table Length<br>(in double word) | How many DWORDs in the Parameter table            | 1Bh               | 31:24           | 02h                   | 02h         |
| Parameter Table Pointer (PTP)              | First address of 4-byte Address Instruction table | 1Ch               | 07:00           | C0h                   | C0h         |
|  |   | 1Dh               | 15:08           | 00h                   | 00h         |
|  |   | 1Eh               | 23:16           | 00h                   | 00h         |
| Unused                                     |   | 1Fh               | 31:24           | FFh                   | FFh         |

**Table 15. Parameter Table (0): JEDEC Flash Parameter Tables**

SFDP Table below is for MX66U2G45GXRI00

| Description  | Comment   | Add (h)<br>(Byte) | DW Add<br>(Bit) | Data (h/b)<br>(Note1) | Data<br>(h) |
|--|---|-------------------|-----------------|-----------------------|-------------|
| Block/Sector Erase sizes   | 00: Reserved, 01: 4KB erase,<br>10: Reserved,<br>11: not supported 4KB erase  | 30h               | 01:00           | 01b                   | E5h         |
| Write Granularity  | 0: 1Byte, 1: 64Byte or larger   |                   | 02              | 1b                    |             |
| Write Enable Instruction Required<br>for Writing to Volatile Status<br>Registers | 0: not required<br>1: required 00h to be written to the<br>status register  |                   | 03              | 0b                    |             |
| Write Enable Instruction Select for<br>Writing to Volatile Status Registers      | 0: use 50h instruction<br>1: use 06h instruction<br>Note: If target flash status register is<br>nonvolatile, then bits 3 and 4 must<br>be set to 00b. |                   | 04              | 0b                    |             |
| Unused   | Contains 111b and can never be<br>changed   |                   | 07:05           | 111b                  |             |
| 4KB Erase Instruction  |   | 31h               | 15:08           | 20h                   | 20h         |
| (1-1-2) Fast Read (Note2)  | 0=not supported 1=supported   | 32h               | 16              | 1b                    | FBh         |
| Address Bytes Number used in<br>addressing flash array                           | 00: 3Byte only, 01: 3 or 4Byte,<br>10: 4Byte only, 11: Reserved   |                   | 18:17           | 01b                   |             |
| Double Transfer Rate (DTR)<br>Clocking   | 0=not supported 1=supported   |                   | 19              | 1b                    |             |
| (1-2-2) Fast Read  | 0=not supported 1=supported   |                   | 20              | 1b                    |             |
| (1-4-4) Fast Read  | 0=not supported 1=supported   |                   | 21              | 1b                    |             |
| (1-1-4) Fast Read  | 0=not supported 1=supported   |                   | 22              | 1b                    |             |
| Unused   |   |                   | 23              | 1b                    |             |
| Unused   |   | 33h               | 31:24           | FFh                   | FFh         |
| Flash Memory Density   |   | 37h:34h           | 31:00           | 7FFF FFFFh            |             |
| (1-4-4) Fast Read Number of Wait<br>states (Note3)                               | 0 0000b: Not supported; 0 0100b: 4<br>0 0110b: 6; 0 1000b: 8  | 38h               | 04:00           | 0 0100b               | 44h         |
| (1-4-4) Fast Read Number of<br>Mode Bits (Note4)                                 | Mode Bits:<br>000b: Not supported; 010b: 2 bits   |                   | 07:05           | 010b                  |             |
| (1-4-4) Fast Read Instruction  |   | 39h               | 15:08           | EBh                   | EBh         |
| (1-1-4) Fast Read Number of Wait<br>states                                       | 0 0000b: Not supported; 0 0100b: 4<br>0 0110b: 6; 0 1000b: 8  | 3Ah               | 20:16           | 0 1000b               | 08h         |
| (1-1-4) Fast Read Number of<br>Mode Bits   | Mode Bits:<br>000b: Not supported; 010b: 2 bits   |                   | 23:21           | 000b                  |             |
| (1-1-4) Fast Read Instruction  |   | 3Bh               | 31:24           | 6Bh                   | 6Bh         |

SFDP Table below is for MX66U2G45GXRI00

| Description                             | Comment  | Add (h)<br>(Byte) | DW Add<br>(Bit) | Data (h/b)<br>(Note1) | Data<br>(h) |
|---|--|-------------------|-----------------|-----------------------|-------------|
| (1-1-2) Fast Read Number of Wait states | 0 0000b: Not supported; 0 0100b: 4<br>0 0110b: 6; 0 1000b: 8                       | 3Ch               | 04:00           | 0 1000b               | 08h         |
| (1-1-2) Fast Read Number of Mode Bits   | Mode Bits:<br>000b: Not supported; 010b: 2 bits                                    |                   | 07:05           | 000b                  |             |
| (1-1-2) Fast Read Instruction           |  | 3Dh               | 15:08           | 3Bh                   | 3Bh         |
| (1-2-2) Fast Read Number of Wait states | 0 0000b: Not supported; 0 0100b: 4<br>0 0110b: 6; 0 1000b: 8                       | 3Eh               | 20:16           | 0 0100b               | 04h         |
| (1-2-2) Fast Read Number of Mode Bits   | Mode Bits:<br>000b: Not supported; 010b: 2 bits                                    |                   | 23:21           | 000b                  |             |
| (1-2-2) Fast Read Instruction           |  | 3Fh               | 31:24           | BBh                   | BBh         |
| (2-2-2) Fast Read                       | 0=not supported 1=supported  | 40h               | 00              | 0b                    | FEh         |
| Unused                                  |  |                   | 03:01           | 111b                  |             |
| (4-4-4) Fast Read                       | 0=not supported 1=supported  |                   | 04              | 1b                    |             |
| Unused                                  |  |                   | 07:05           | 111b                  |             |
| Unused                                  |  | 43h:41h           | 31:08           | FFh                   | FFh         |
| Unused                                  |  | 45h:44h           | 15:00           | FFh                   | FFh         |
| (2-2-2) Fast Read Number of Wait states | 0 0000b: Not supported; 0 0100b: 4<br>0 0110b: 6; 0 1000b: 8                       | 46h               | 20:16           | 0 0000b               | 00h         |
| (2-2-2) Fast Read Number of Mode Bits   | Mode Bits:<br>000b: Not supported; 010b: 2 bits                                    |                   | 23:21           | 000b                  |             |
| (2-2-2) Fast Read Instruction           |  | 47h               | 31:24           | FFh                   | FFh         |
| Unused                                  |  | 49h:48h           | 15:00           | FFh                   | FFh         |
| (4-4-4) Fast Read Number of Wait states | 0 0000b: Not supported; 0 0100b: 4<br>0 0110b: 6; 0 1000b: 8                       | 4Ah               | 20:16           | 0 0100b               | 44h         |
| (4-4-4) Fast Read Number of Mode Bits   | Mode Bits:<br>000b: Not supported; 010b: 2 bits                                    |                   | 23:21           | 010b                  |             |
| (4-4-4) Fast Read Instruction           |  | 4Bh               | 31:24           | EBh                   | EBh         |
| Erase Type 1 Size                       | Sector/block size = 2 <sup>N</sup> bytes (Note5)<br>0Ch: 4KB; 0Fh: 32KB; 10h: 64KB | 4Ch               | 07:00           | 0Ch                   | 0Ch         |
| Erase Type 1 Erase Instruction          |  | 4Dh               | 15:08           | 20h                   | 20h         |
| Erase Type 2 Size                       | Sector/block size = 2 <sup>N</sup> bytes<br>00h: N/A; 0Fh: 32KB; 10h: 64KB         | 4Eh               | 23:16           | 0Fh                   | 0Fh         |
| Erase Type 2 Erase Instruction          |  | 4Fh               | 31:24           | 52h                   | 52h         |
| Erase Type 3 Size                       | Sector/block size = 2 <sup>N</sup> bytes<br>00h: N/A; 0Fh: 32KB; 10h: 64KB         | 50h               | 07:00           | 10h                   | 10h         |
| Erase Type 3 Erase Instruction          |  | 51h               | 15:08           | D8h                   | D8h         |
| Erase Type 4 Size                       | 00h: N/A, This sector type doesn't exist   | 52h               | 23:16           | 00h                   | 00h         |
| Erase Type 4 Erase Instruction          |  | 53h               | 31:24           | FFh                   | FFh         |



SFDP Table below is for MX66U2G45GXRI00

| Description   | Comment  | Add (h)<br>(Byte) | DW Add<br>(Bit) | Data (h/b)<br>(Note1) | Data<br>(h) |
|---|--|-------------------|-----------------|-----------------------|-------------|
| Multiplier from typical erase time to maximum erase time          | Multiplier value: 0h~Fh (0~15)<br>Max. time = 2 * (Multiplier + 1) *<br>Typical Time | 54h               | 03:00           | 0111b                 | 87h         |
| Erase Type 1 Erase Time<br>(Typical)                              | Count value: 00h~1Fh (0~31)<br>Typical Time = (Count + 1) * Units                    | 55h               | 07:04           | 1 1000b               | 49h         |
|   | Units<br>00: 1ms, 01: 16ms<br>10b: 128ms, 11b: 1s                                    |                   | 08              |                       |             |
| EraseType 2 Erase Time<br>(Typical)                               | Count value: 00h~1Fh (0~31)<br>Typical Time = (Count + 1) * Units                    | 56h               | 10:09           | 00b                   | 49h         |
|   | Units<br>00: 1ms, 01: 16ms<br>10b: 128ms, 11b: 1s                                    |                   | 15:11           |                       |             |
| Erase Type 3 Erase Time<br>(Typical)                              | Count value: 00h~1Fh (0~31)<br>Typical Time = (Count + 1) * Units                    | 56h               | 17:16           | 01b                   | B5h         |
|   | Units<br>00: 1 ms, 01: 16 ms<br>10b: 128ms, 11b: 1s                                  |                   | 22:18           |                       |             |
| Erase Type 4 Erase Time<br>(Typical)                              | Count value: 00h~1Fh (0~31)<br>Typical Time = (Count + 1) * Units                    | 57h               | 24:23           | 01b                   | 00h         |
|   | Units<br>00: 1ms, 01: 16ms<br>10b: 128 ms, 11b: 1 s                                  |                   | 29:25           |                       |             |
| Multiplier from typical time to max time for Page or byte program | Multiplier value: 0h~Fh (0~15)<br>Max. time = 2 * (Multiplier + 1) *<br>Typical Time | 58h               | 31:30           | 00b                   | 00h         |
|   | Page Program Size  |                   | 03:00           |                       |             |
| Page Program Time<br>(Typical)                                    | Page size = 2^N bytes<br>2^8 = 256 bytes, 8h = 1000b                                 | 59h               | 07:04           | 1000h                 | 84h         |
|   | Count value: 00h~1Fh (0~31)<br>Typical Time = (Count + 1) * Units                    |                   | 12:08           |                       |             |
| Byte Program Time, First Byte<br>(Typical)                        | Units<br>0: 8us, 1: 64us   | 5Ah               | 13              | 0b                    | D2h         |
|   | Count value: 0h~Fh (0~15)<br>Typical Time = (Count + 1) * Units                      |                   | 15:14           |                       |             |
| Byte Program Time, Additional<br>Byte<br>(Typical)                | Units<br>0: 1us, 1: 8us  | 5Ah               | 17:16           | 0011b                 | 04h         |
|   | Count value: 0h~Fh (0~15)<br>Typical Time = (Count + 1) * Units                      |                   | 18              |                       |             |
| Byte Program Time, Additional<br>Byte<br>(Typical)                | Units<br>0: 1us, 1: 8us  | 5Ah               | 22:19           | 0000b                 | 04h         |
|   | Count value: 0h~Fh (0~15)<br>Typical Time = (Count + 1) * Units                      |                   | 23              |                       |             |

SFDP Table below is for MX66U2G45GXRI00

| Description                                     | Comment  | Add (h)<br>(Byte) | DW Add<br>(Bit) | Data (h/b)<br>(Note1) | Data<br>(h) |
|---|--|-------------------|-----------------|-----------------------|-------------|
| Chip Erase Time<br>(Typical)                    | Count value: 00h~1Fh (0~31)<br>Typical Time = (Count + 1) * Units<br>Units<br>00: 16ms, 01: 256ms<br>10: 4s, 11: 64s   | 5Bh               | 27:24           | 0 0010b               | E2h         |
|   |  |                   | 28              |                       |             |
| Reserved  | Reserved: 1b   |                   | 30:29           | 11b                   |             |
|   |  |                   | 31              | 1b                    |             |
| Prohibited Operations During<br>Program Suspend | <ul style="list-style-type: none"> <li>◆ xxx0b: May not initiate a new erase anywhere</li> <li>◆ xx0xb: May not initiate a new page program anywhere</li> <li>◆ x1xxb: May not initiate a read in the program suspended page size</li> <li>◆ 1xxb: The erase and program restrictions in bits 1:0 are sufficient</li> </ul>  |                   | 03:00           | 0100b                 |             |
| Prohibited Operations During<br>Erase Suspend   | <ul style="list-style-type: none"> <li>◆ xxx0b: May not initiate a new erase anywhere</li> <li>◆ xx1xb: May not initiate a page program in the erase suspended sector size</li> <li>◆ xx0xb: May not initiate a page program anywhere</li> <li>◆ x1xxb: May not initiate a read in the erase suspended sector size</li> <li>◆ 1xxb: The erase and program restrictions in bits 5:4 are sufficient</li> </ul> | 5Ch               | 07:04           | 0100b                 | 44h         |
| Reserved  | Reserved: 1b   |                   | 08              | 1b                    |             |
| Program Resume to Suspend<br>Interval (Typical) | Count value: 0h~Fh (0~15)<br>Typical Time = (Count + 1) * 64us   | 5Dh               | 12:09           | 0001b                 | 03h         |
| Program Suspend Latency<br>(Max.)               | Count value: 00h~1Fh (0~31)<br>Maximum Time = (Count + 1) * Units<br>Units<br>00: 128ns, 01: 1us<br>10: 8us, 11: 64us  | 5Eh               | 15:13           | 1 1000b               | 67h         |
|   |  |                   | 17:16           |                       |             |
| Erase Resume to Suspend<br>Interval (Typical)   | Count value: 0h~Fh (0~15)<br>Typical Time = (Count + 1) * 64us   |                   | 19:18           | 01b                   |             |
| Erase Suspend Latency<br>(Max.)                 | Count value: 00h~1Fh (0~31)<br>Maximum Time = (Count + 1) * Units<br>Units<br>00: 128ns, 01: 1us<br>10: 8us, 11: 64us  | 5Fh               | 23:20           | 0110b                 |             |
|   |  |                   | 28:24           | 1 1000b               |             |
|   |  |                   | 30:29           | 01b                   | 38h         |
|   |  |                   | 31              | 0b                    |             |
| Suspend / Resume supported                      | 0= Support 1= Not supported  |                   |                 |                       |             |
| Program Resume Instruction                      | Instruction to Resume a Program  | 60h               | 07:00           | 30h                   | 30h         |
| Program Suspend Instruction                     | Instruction to Suspend a Program   | 61h               | 15:08           | B0h                   | B0h         |
| Erase Resume Instruction                        | Instruction to Resume Write/Erase  | 62h               | 23:16           | 30h                   | 30h         |
| Erase Suspend Instruction                       | Instruction to Suspend Write/Erase   | 63h               | 31:24           | B0h                   | B0h         |

SFDP Table below is for MX66U2G45GXRI00

| Description  | Comment  | Add (h)<br>(Byte) | DW Add<br>(Bit) | Data (h/b)<br>(Note1) | Data<br>(h) |
|--|--|-------------------|-----------------|-----------------------|-------------|
| Reserved   | Reserved: 11b  |                   | 01:00           | 11b                   |             |
| Status Register Polling Device Busy                            | <ul style="list-style-type: none"> <li>♦ Bit 2: Read WIP bit [0] by 05h Read instruction</li> <li>♦ Bit 3: Read bit 7 of Status Register by 70h Read instruction (0=not supported 1=support)</li> <li>♦ Bit 07:04, Reserved: 1111b</li> </ul>  | 64h               | 07:02           | 11 1101b              | F7h         |
| Release from Deep Power-down (RDP) Delay (Max.)                | Count value: 00h~1Fh (0~31)<br>Maximum Time = (Count + 1) * Units<br>Units<br>00: 128ns, 01: 1us<br>10: 8us, 11: 64us  | 65h               | 12:08<br>14:13  | 1 1101b<br>01b        | BDh         |
| Release from Deep Power-down (RDP) Instruction                 | Instruction to Exit Deep Power Down<br>♦ FFh: Don't need command   | 66h               | 15<br>22:16     | 1010 1011b<br>(ABh)   | D5h         |
| Enter Deep Power Down Instruction                              | Instruction to Enter Deep Power Down   | 67h               | 23<br>30:24     | 1011 1001b<br>(B9h)   | 5Ch         |
| Deep Power Down Supported                                      | 0: Supported 1: Not supported  |                   | 31              | 0b                    |             |
| 4-4-4 Mode Disable Sequences                                   | Methods to exit 4-4-4 mode<br>♦ xx1xb: issue F5h instruction   | 68h               | 03:00           | 1010b                 | 4Ah         |
| 4-4-4 Mode Enable Sequences                                    | Methods to enter 4-4-4 mode<br>♦ x x1xb: issue instruction 35h   |                   | 07:04<br>08     | 0 0100b               |             |
| 0-4-4 Mode Supported   | Performance Enhance Mode, Continuous Read, Execute in Place<br>0: Not supported 1: Supported   |                   | 09              | 1b                    |             |
| 0-4-4 Mode Exit Method   | <ul style="list-style-type: none"> <li>♦ xx_xxx1b: Mode Bits[7:0] = 00h will terminate this mode at the end of the current read operation.</li> <li>♦ xx_xx1xb: If 3-Byte address active, input Fh on DQ0-DQ3 for 8 clocks. If 4-Byte address active, input Fh on DQ0-DQ3 for 10 clocks.</li> <li>♦ xx_x1xb: Reserved</li> <li>♦ xx_1xxb: Input Fh (mode bit reset) on DQ0-DQ3 for 8 clocks.</li> <li>♦ x1_xxxxb: Mode Bit[7:0]≠Axh</li> <li>♦ 1x_ xxxb: Reserved</li> </ul> | 69h               | 15:10           | 10 0111b              | 9Eh         |
| 0-4-4 Mode Entry Method  | <ul style="list-style-type: none"> <li>♦ xxx1b: Mode Bits[7:0] = A5h Note: QE must be set prior to using this mode</li> <li>♦ x1xb: Mode Bit[7:0]=Axh</li> <li>♦ 1xxb: Reserved</li> </ul>   |                   | 19:16           | 1001h                 |             |
| Quad Enable (QE) bit Requirements                              | <ul style="list-style-type: none"> <li>♦ 000b: No QE bit. Detects 1-1-4/1-4-4 reads based on instruction</li> <li>♦ 010b: QE is bit 6 of Status Register, where 1=Quad Enable or 0=not Quad Enable</li> <li>♦ 111b: Not Supported</li> </ul>   | 6Ah               | 22:20           | 010b                  | 29h         |
| HOLD and RESET Disable by bit 4 of Ext. Configuration Register | 0: Not supported   |                   | 23              | 0b                    |             |



SFDP Table below is for MX66U2G45GXRI00

| Description  | Comment   | Add (h)<br>(Byte) | DW Add<br>(Bit) | Data (h/b)<br>(Note1) | Data<br>(h) |
|--|---|-------------------|-----------------|-----------------------|-------------|
| Reserved   |   | 6Bh               | 31:24           | FFh                   | FFh         |
| Volatile or Non-Volatile Register and Write Enable Instruction for Status Register 1 | <ul style="list-style-type: none"> <li>◆ xxx_xxx1b: Non-Volatile Status Register 1, powers-up to last written value, use instruction 06h to enable write</li> <li>◆ x1x_xxxxb: Reserved</li> <li>◆ 1xx_xxxxb: Reserved</li> </ul>   | 6Ch               | 06:00           | 111 0000b             | F0h         |
|  |   |                   | 07              | 1b                    |             |
| Reserved   |   |                   |                 |                       |             |
| Soft Reset and Rescue Sequence Support   | Return the device to its default power-on state<br><ul style="list-style-type: none"> <li>◆ x1_xxxxb: issue reset enable instruction 66h, then issue reset instruction 99h.</li> </ul>  | 6Dh               | 13:08           | 01 0000b              | 50h         |
|  |   |                   | 15:14           | 01b                   |             |
| Exit 4-Byte Addressing   | <ul style="list-style-type: none"> <li>◆ xx_xxxx_xxx1b: issue instruction E9h to exit 4-Byte address mode (write enable instruction 06h is not required)</li> <li>◆ xx_xxxx_x1xxb: 8-bit volatile extended address register used to define A[31:A24] bits. Read with instruction C8h. Write instruction is C5h, data length is 1 byte. Return to lowest memory segment by setting A[31:24] to 00h and use 3-Byte addressing.</li> <li>◆ xx_xx1x_xxxxb: Hardware reset</li> <li>◆ xx_x1xx_xxxxb: Software reset (see bits 13:8 in this DWORD)</li> <li>◆ xx_1xxx_xxxxb: Power cycle</li> <li>◆ x1_xxxx_xxxxb: Reserved</li> <li>◆ 1x_xxxx_xxxxb: Reserved</li> </ul> | 6Eh               | 23:16           | 1111 1001b            | F9h         |

SFDP Table below is for MX66U2G45GXRI00

| Description             | Comment  | Add (h)<br>(Byte) | DW Add<br>(Bit) | Data (h/b)<br>(Note1) | Data<br>(h) |
|-------------------------|--|-------------------|-----------------|-----------------------|-------------|
| Enter 4-Byte Addressing | <ul style="list-style-type: none"> <li>◆ xxxx_xxx1b: issue instruction B7h (preceding write enable not required)</li> <li>◆ xxxx_x1xxb: 8-bit volatile extended address register used to define A[31:24] bits. Read with instruction C8h. Write instruction is C5h with 1 byte of data. Select the active 128 Mbit memory segment by setting the appropriate A[31:24] bits and use 3-Byte addressing.</li> <li>◆ xx1x_xxxxb: Supports dedicated 4-Byte address instruction set. Consult vendor data sheet for the instruction set definition.</li> <li>◆ 1xxx_xxxxb: Reserved</li> </ul> | 6Fh               | 31:24           | 1000 0101b            | 85h         |

**Table 16. Parameter Table (1): 4-Byte Instruction Tables**

SFDP Table below is for MX66U2G45GXRI00

| Description   | Comment                     | Add (h)<br>(Byte) | DW Add<br>(Bit) | Data (h/b)<br>(Note1) | Data<br>(h) |
|---|-----------------------------|-------------------|-----------------|-----------------------|-------------|
| Support for (1-1-1) READ Command, Instruction=13h                         | 0=not supported 1=supported | C0h               | 00              | 1b                    | 7Fh         |
| Support for (1-1-1) FAST_READ Command, Instruction=0Ch                    | 0=not supported 1=supported |                   | 01              | 1b                    |             |
| Support for (1-1-2) FAST_READ Command, Instruction=3Ch                    | 0=not supported 1=supported |                   | 02              | 1b                    |             |
| Support for (1-2-2) FAST_READ Command, Instruction=BCh                    | 0=not supported 1=supported |                   | 03              | 1b                    |             |
| Support for (1-1-4) FAST_READ Command, Instruction=6Ch                    | 0=not supported 1=supported |                   | 04              | 1b                    |             |
| Support for (1-4-4) FAST_READ Command, Instruction=ECh                    | 0=not supported 1=supported |                   | 05              | 1b                    |             |
| Support for (1-1-1) Page Program Command, Instruction=12h                 | 0=not supported 1=supported |                   | 06              | 1b                    |             |
| Support for (1-1-4) Page Program Command, Instruction=34h                 | 0=not supported 1=supported |                   | 07              | 0b                    |             |
| Support for (1-4-4) Page Program Command, Instruction=3Eh                 | 0=not supported 1=supported | C1h               | 08              | 1b                    | 8Fh         |
| Support for Erase Command – Type 1 size, Instruction lookup in next Dword | 0=not supported 1=supported |                   | 09              | 1b                    |             |
| Support for Erase Command – Type 2 size, Instruction lookup in next Dword | 0=not supported 1=supported |                   | 10              | 1b                    |             |
| Support for Erase Command – Type 3 size, Instruction lookup in next Dword | 0=not supported 1=supported |                   | 11              | 1b                    |             |
| Support for Erase Command – Type 4 size, Instruction lookup in next Dword | 0=not supported 1=supported |                   | 12              | 0b                    |             |
| Support for (1-1-1) DTR_Read Command, Instruction=0Eh                     | 0=not supported 1=supported |                   | 13              | 0b                    |             |
| Support for (1-2-2) DTR_Read Command, Instruction=BEh                     | 0=not supported 1=supported |                   | 14              | 0b                    |             |
| Support for (1-4-4) DTR_Read Command, Instruction=EEh                     | 0=not supported 1=supported |                   | 15              | 1b                    |             |

SFDP Table below is for MX66U2G45GXRI00

| Description  | Comment                     | Add (h)<br>(Byte) | DW Add<br>(Bit) | Data (h/b)<br>(Note1) | Data<br>(h) |
|--|-----------------------------|-------------------|-----------------|-----------------------|-------------|
| Support for volatile individual sector lock Read command, Instruction=E0h      | 0=not supported 1=supported | C2h               | 16              | 1b                    | FFh         |
| Support for volatile individual sector lock Write command, Instruction=E1h     | 0=not supported 1=supported |                   | 17              | 1b                    |             |
| Support for non-volatile individual sector lock read command, Instruction=E2h  | 0=not supported 1=supported |                   | 18              | 1b                    |             |
| Support for non-volatile individual sector lock write command, Instruction=E3h | 0=not supported 1=supported |                   | 19              | 1b                    |             |
| Reserved   | Reserved                    |                   | 23:20           | 1111b                 |             |
| Reserved   | Reserved                    | C3h               | 31:24           | FFh                   | FFh         |
| Instruction for Erase Type 1   | FFh=not supported           | C4h               | 07:00           | 21h                   | 21h         |
| Instruction for Erase Type 2   | FFh=not supported           | C5h               | 15:08           | 5Ch                   | 5Ch         |
| Instruction for Erase Type 3   | FFh=not supported           | C6h               | 23:16           | DCh                   | DCh         |
| Instruction for Erase Type 4   | FFh=not supported           | C7h               | 31:24           | FFh                   | FFh         |

**Table 17. Parameter Table (2): Macronix Flash Parameter Tables**

SFDP Table below is for MX66U2G45GXRI00

| Description   | Comment  | Add (h)<br>(Byte) | DW Add<br>(Bit) | Data (h/b)<br>(Note1) | Data<br>(h) |     |
|---|--|-------------------|-----------------|-----------------------|-------------|-----|
| Vcc Supply Maximum Voltage  | 2000h=2.000V<br>2700h=2.700V<br>3600h=3.600V   | 111h:110h         | 07:00<br>15:08  | 00h<br>20h            | 00h<br>20h  |     |
| Vcc Supply Minimum Voltage  | 1650h=1.650V, 1750h=1.750V<br>2250h=2.250V, 2300h=2.300V<br>2350h=2.350V, 2650h=2.650V<br>2700h=2.700V | 113h: 112h        | 23:16<br>31:24  | 50h<br>16h            | 50h<br>16h  |     |
| H/W Reset# pin  | 0=not supported 1=supported  | 115h: 114h        | 00              | 1b                    | F99Dh       |     |
| H/W Hold# pin   | 0=not supported 1=supported  |                   | 01              | 0b                    |             |     |
| Deep Power Down Mode  | 0=not supported 1=supported  |                   | 02              | 1b                    |             |     |
| S/W Reset   | 0=not supported 1=supported  |                   | 03              | 1b                    |             |     |
| S/W Reset Instruction   | Reset Enable (66h) should be issued before Reset Instruction   |                   | 11:04           | 1001 1001b (99h)      |             |     |
| Program Suspend/Resume  | 0=not supported 1=supported  |                   | 12              | 1b                    |             |     |
| Erase Suspend/Resume  | 0=not supported 1=supported  |                   | 13              | 1b                    |             |     |
| Unused  |  |                   | 14              | 1b                    |             |     |
| Wrap-Around Read mode   | 0=not supported 1=supported  |                   | 15              | 1b                    |             |     |
| Wrap-Around Read mode Instruction                                 |  |                   | 116h            | 23:16                 |             | C0h |
| Wrap-Around Read data length                                      | 08h:support 8B wrap-around read<br>16h:8B&16B<br>32h:8B&16B&32B<br>64h:8B&16B&32B&64B                  | 117h              | 31:24           | 64h                   | 64h         |     |
| Individual block lock   | 0=not supported 1=supported  | 11Bh: 118h        | 00              | 1b                    | CB85h       |     |
| Individual block lock bit (Volatile/Nonvolatile)                  | 0=Volatile 1=Nonvolatile   |                   | 01              | 0b                    |             |     |
| Individual block lock Instruction                                 |  |                   | 09:02           | 1110 0001b (E1h)      |             |     |
| Individual block lock Volatile protect bit default protect status | 0=protect 1=unprotect  |                   | 10              | 0b                    |             |     |
| Secured OTP   | 0=not supported 1=supported  |                   | 11              | 1b                    |             |     |
| Read Lock   | 0=not supported 1=supported  |                   | 12              | 0b                    |             |     |
| Permanent Lock  | 0=not supported 1=supported  |                   | 13              | 0b                    |             |     |
| Unused  |  |                   | 15:14           | 11b                   |             |     |
| Unused  |  |                   | 31:16           | FFh                   |             | FFh |
| Unused  |  |                   | 11Fh: 11Ch      | 31:00                 |             | FFh |

Note 1: h/b is hexadecimal or binary.

Note 2: **(x-y-z)** means I/O mode nomenclature used to indicate the number of active pins used for the opcode (x), address (y), and data (z). At the present time, the only valid Read SFDP instruction modes are: (1-1-1), (2-2-2), and (4-4-4)

Note 3: **Wait States** is required dummy clock cycles after the address bits or optional mode bits.

Note 4: **Mode Bits** is optional control bits that follow the address bits. These bits are driven by the system controller if they are specified. (eg, read performance enhance toggling bits)

Note 5: 4KB=2<sup>0Ch</sup>, 32KB=2<sup>0Fh</sup>, 64KB=2<sup>10h</sup>

Note 6: All unused and undefined area data is blank FFh for SFDP Tables that are defined in Parameter Identification Header. All other areas beyond defined SFDP Table are reserved by Macronix.

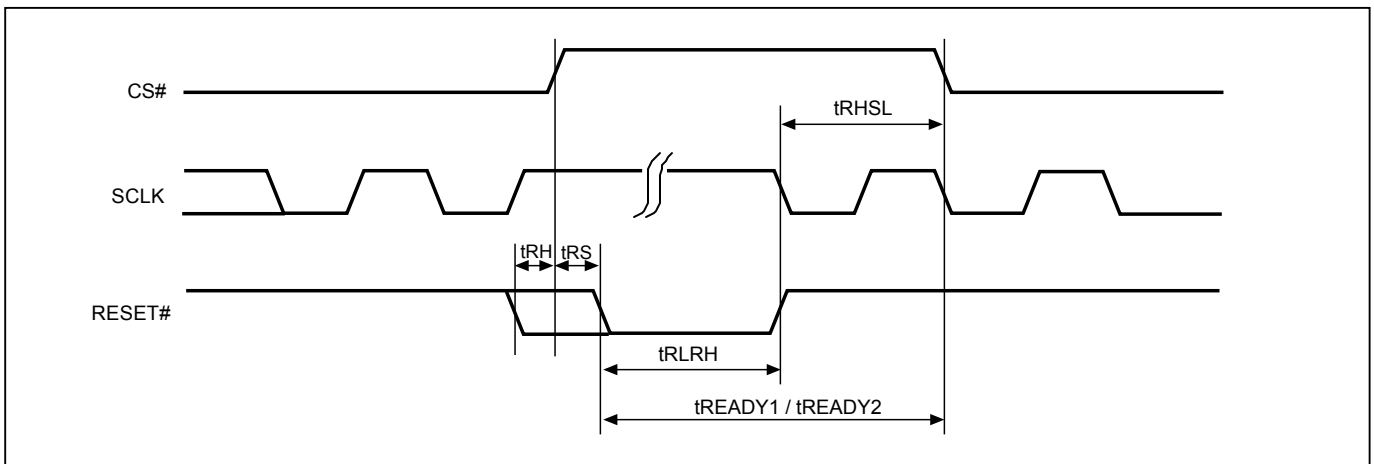
## 12. RESET

Driving the RESET# pin low for a period of tRLRH or longer will reset the device. After reset cycle, the device is at the following states:

- Standby mode
- All the volatile bits such as WEL/WIP/SRAM lock bit will return to the default status as power on.
- 3-byte address mode

If the device is under programming or erasing, driving the RESET# pin low will also terminate the operation and data could be lost. During the resetting cycle, the SO data becomes high impedance and the current will be reduced to minimum.

**Figure 103. RESET Timing**



**Table 18. Reset Timing-(Power On)**

| Symbol  | Parameter                  | Min. | Typ. | Max. | Unit |
|---------|----------------------------|------|------|------|------|
| tRHSL   | Reset# high before CS# low | 10   |      |      | us   |
| tRS     | Reset# setup time          | 15   |      |      | ns   |
| tRH     | Reset# hold time           | 15   |      |      | ns   |
| tRLRH   | Reset# low pulse width     | 10   |      |      | us   |
| tREADY1 | Reset Recovery time        | 35   |      |      | us   |

**Table 19. Reset Timing-(Other Operation)**

| Symbol  | Parameter   | Min. | Typ. | Max. | Unit |
|---------|---|------|------|------|------|
| tRHSL   | Reset# high before CS# low                        | 10   |      |      | us   |
| tRS     | Reset# setup time                                 | 15   |      |      | ns   |
| tRH     | Reset# hold time                                  | 15   |      |      | ns   |
| tRLRH   | Reset# low pulse width                            | 10   |      |      | us   |
| tREADY2 | Reset Recovery time (During instruction decoding) | 40   |      |      | us   |
|         | Reset Recovery time (for read operation)          | 40   |      |      | us   |
|         | Reset Recovery time (for program operation)       | 310  |      |      | us   |
|         | Reset Recovery time (for SE4KB operation)         | 12   |      |      | ms   |
|         | Reset Recovery time (for BE64K/BE32KB operation)  | 25   |      |      | ms   |
|         | Reset Recovery time (for Chip Erase operation)    | 1000 |      |      | ms   |
|         | Reset Recovery time (for WRSR operation)          | 40   |      |      | ms   |

### 13. POWER-ON STATE

The device is at below states when power-up:

- Standby mode (please note it is not deep power-down mode)
- Write Enable Latch (WEL) bit is reset

The device must not be selected during power-up and power-down stage unless the VCC achieves below correct level:

- VCC minimum at power-up stage and then after a delay of tVSL
- GND at power-down

Please note that a pull-up resistor on CS# may ensure a safe and proper power-up/down level.

An internal power-on reset (POR) circuit may protect the device from data corruption and inadvertent data change during power up state. When VCC is lower than VWI (POR threshold voltage value), the internal logic is reset and the flash device has no response to any command.

For further protection on the device, if the VCC does not reach the VCC minimum level, the correct operation is not guaranteed. The write, erase, and program command should be sent after the below time delay:

- tVSL after VCC reached VCC minimum level

The device can accept read command after VCC reached VCC minimum and a time delay of tVSL.

Please refer to the "[power-up timing](#)".

Note:

- To stabilize the VCC level, the VCC rail decoupled by a suitable capacitor close to package pins is recommended. (generally around 0.1uF)
- At power-down stage, the VCC drops below VWI level, all operations are disable and device has no response to any command. The data corruption might occur during the stage while a write, program, erase cycle is in progress.



## 14. ELECTRICAL SPECIFICATIONS

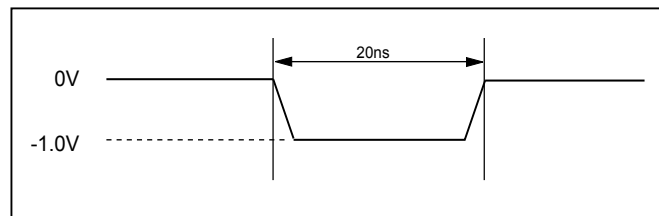
**Table 20. ABSOLUTE MAXIMUM RATINGS**

| Rating                        |                  | Value             |
|-------------------------------|------------------|-------------------|
| Ambient Operating Temperature | Industrial grade | -40°C to 85°C     |
| Storage Temperature           |                  | -65°C to 150°C    |
| Applied Input Voltage         |                  | -0.5V to VCC+0.5V |
| Applied Output Voltage        |                  | -0.5V to VCC+0.5V |
| VCC to Ground Potential       |                  | -0.5V to 2.5V     |

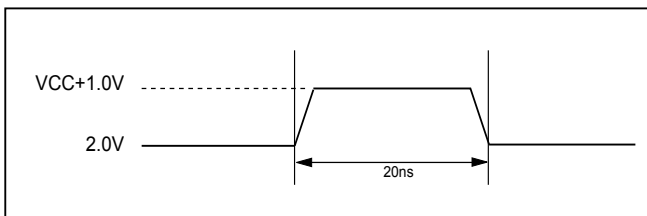
**NOTICE:**

1. Stresses greater than those listed under ABSOLUTE MAXIMUM RATINGS may cause permanent damage to the device. This is stress rating only and functional operational sections of this specification is not implied. Exposure to absolute maximum rating conditions for extended period may affect reliability.
2. Specifications contained within the following tables are subject to change.
3. During voltage transitions, all pins may overshoot to VCC+1.0V or -1.0V for period up to 20ns.

**Figure 104. Maximum Negative Overshoot Waveform**



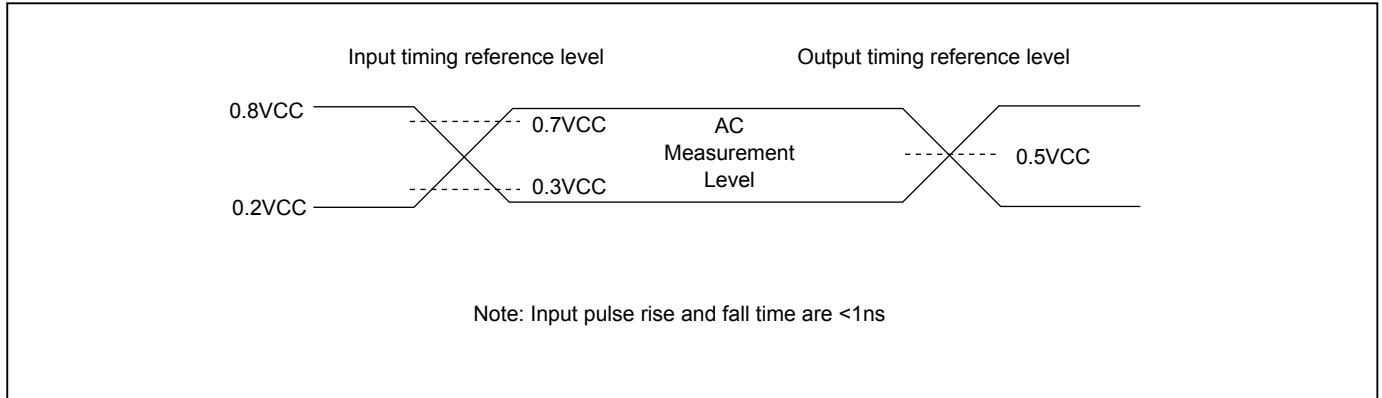
**Figure 105. Maximum Positive Overshoot Waveform**



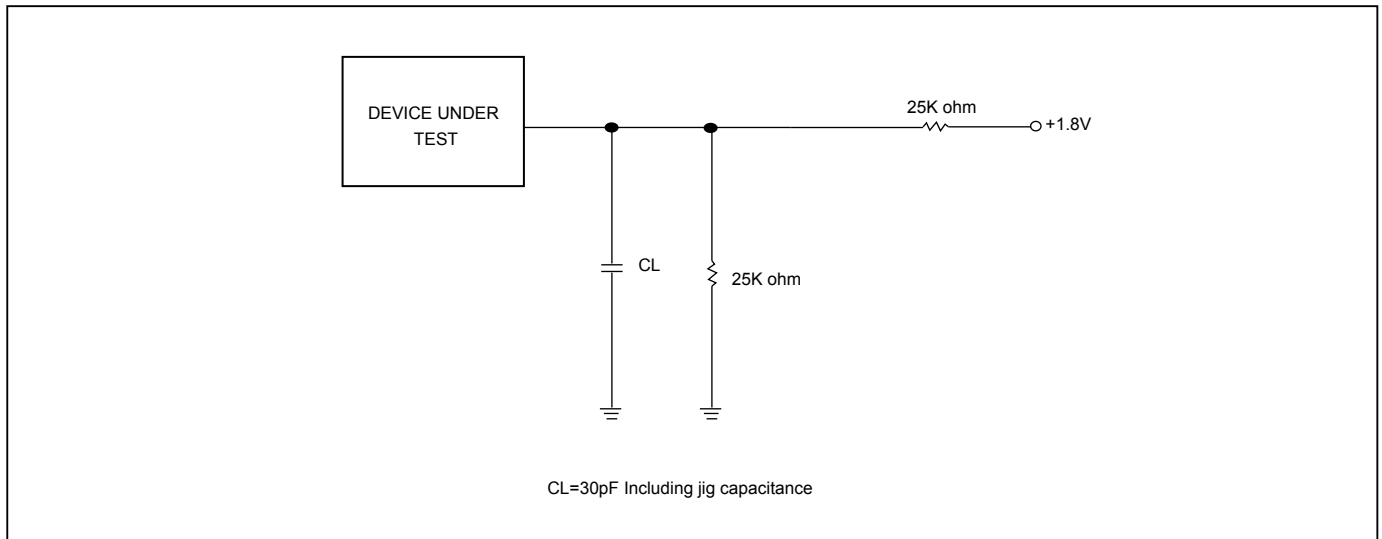
**Table 21. CAPACITANCE TA = 25°C, f = 1.0 MHz**

| Symbol | Parameter          | Min. | Typ. | Max. | Unit | Conditions |
|--------|--------------------|------|------|------|------|------------|
| CIN    | Input Capacitance  |      |      | 32   | pF   | VIN = 0V   |
| COU    | Output Capacitance |      |      | 32   | pF   | VOU = 0V   |

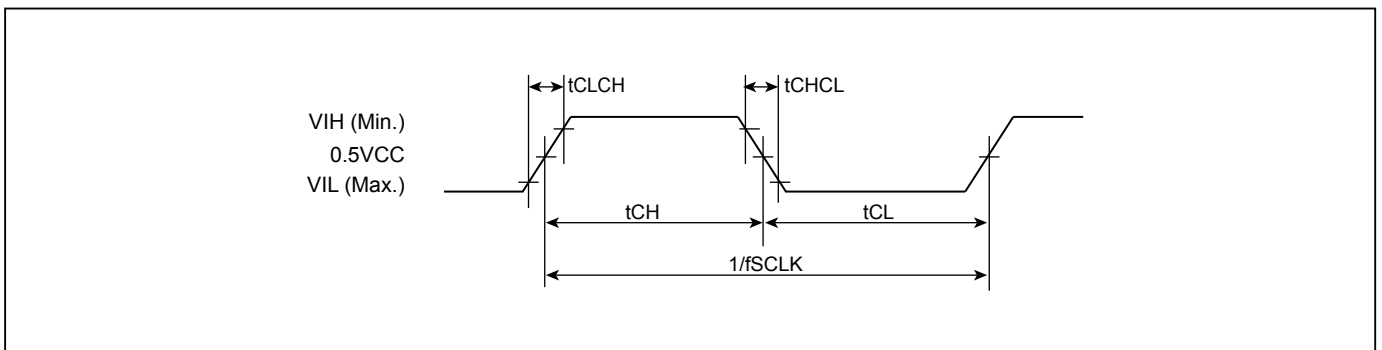
**Figure 106. DATA INPUT TEST WAVEFORMS AND MEASUREMENT LEVEL**



**Figure 107. OUTPUT LOADING**



**Figure 108. SCLK TIMING DEFINITION**



**Table 22. DC CHARACTERISTICS**

Temperature = -40°C to 85°C, VCC = 1.65V ~ 2.0V

| Symbol | Parameter  | Notes | Min.    | Typ. | Max.    | Units | Test Conditions   |
|--------|--|-------|---------|------|---------|-------|---|
| ILI    | Input Load Current                               | 1     |         |      | ±4      | uA    | VCC = VCC Max,<br>VIN = VCC or GND                                    |
| ILO    | Output Leakage Current                           | 1     |         |      | ±4      | uA    | VCC = VCC Max,<br>VOUT = VCC or GND                                   |
| ISB1   | VCC Standby Current                              | 1     |         | 80   | 500     | uA    | VIN = VCC or GND,<br>CS# = VCC  |
| ISB2   | Deep Power-down Current                          |       |         | 12   | 150     | uA    | VIN = VCC or GND,<br>CS# = VCC  |
| ICC1   | VCC Read<br>(Note 3)                             | 1     |         | 90   | 125     | mA    | f=83MHz, (DTR 4 x I/O read)<br>SCLK=0.1VCC/0.9VCC,<br>SO=Open         |
|        |  |       |         | 88   | 120     | mA    | f=133MHz, (4 x I/O read)<br>SCLK=0.1VCC/0.9VCC,<br>SO=Open            |
|        |  |       |         | 72   | 100     | mA    | f=104MHz, (4 x I/O read)<br>SCLK=0.1VCC/0.9VCC,<br>SO=Open            |
|        |  |       |         | 52   | 64      | mA    | f=84MHz, (1x I/O & 2 x I/O<br>read)<br>SCLK=0.1VCC/0.9VCC,<br>SO=Open |
| ICC2   | VCC Program Current (PP)                         | 1     |         | 35   | 45      | mA    | Program in Progress,<br>CS# = VCC                                     |
| ICC3   | VCC Write Status Register<br>(WRSR) Current      |       |         | 60   | 100     | mA    | Program status register in<br>progress, CS#=VCC                       |
| ICC4   | VCC Sector Erase Current<br>(SE)                 | 1     |         | 35   | 45      | mA    | Erase in Progress, CS#=VCC  |
| ICC4   | VCC Block (32K, 64K)<br>Erase Current (BE32K/BE) | 1     |         | 35   | 45      | mA    | Erase in Progress, CS#=VCC  |
| ICC5   | VCC Chip Erase Current<br>(CE)                   | 1     |         | 80   | 130     | mA    | Erase in Progress, CS#=VCC  |
| VIL    | Input Low Voltage                                |       | -0.4    |      | 0.3VCC  | V     |   |
| VIH    | Input High Voltage                               |       | 0.7VCC  |      | VCC+0.4 | V     |   |
| VOL    | Output Low Voltage                               |       |         |      | 0.2     | V     | IOL = 100uA   |
| VOH    | Output High Voltage                              |       | VCC-0.2 |      |         | V     | IOH = -100uA  |

Notes :

1. Typical values at VCC = 1.8V, T = 25°C. These currents are valid for all product versions (package and speeds).
2. Typical value is calculated by simulation.
3. Pattern = Blank

**Table 23. AC CHARACTERISTICS**

Temperature = -40°C to 85°C, VCC = 1.65V ~ 2.0V

| Symbol               | Alt. | Parameter  | Min.   | Typ.                                    | Max. | Unit |    |
|----------------------|------|--|--|---|------|------|----|
| fSCLK                | fC   | Clock Frequency for all commands(except Read Operation)          | D.C.   |   | 133  | MHz  |    |
| fRCLK                | fR   | Clock Frequency for READ instructions                            |  |   | 66   | MHz  |    |
| fTCLK                |      | Clock Frequency for FAST READ, DREAD, 2READ, QREAD, 4READ, 4DTRD | see "Dummy Cycle and Frequency Table (MHz)"      |   |      | MHz  |    |
| tCH <sup>(7)</sup>   | tCLH | Clock High Time  | Others (fSCLK)                                   | 45% x (1/fSCLK)                         |      | ns   |    |
|                      |      |  | Normal Read (fRCLK)                              | 7                                       |      | ns   |    |
| tCL <sup>(7)</sup>   | tCLL | Clock Low Time   | Others (fSCLK)                                   | 45% x (1/fSCLK)                         |      | ns   |    |
|                      |      |  | Normal Read (fRCLK)                              | 7                                       |      | ns   |    |
| tCLCH                |      | Clock Rise Time (peak to peak)                                   | 0.1  |   |      | V/ns |    |
| tCHCL                |      | Clock Fall Time (peak to peak)                                   | 0.1  |   |      | V/ns |    |
| tSLCH                | tCSS | CS# Active Setup Time (relative to SCLK)                         | 4.5  |   |      | ns   |    |
| tCHSL                |      | CS# Not Active Hold Time (relative to SCLK)                      | 4  |   |      | ns   |    |
| tDVCH                | tDSU | Data In Setup Time   | 2  |   |      | ns   |    |
| tCHDX                | tDH  | Data In Hold Time  | 2  |   |      | ns   |    |
| tCHSH                |      | CS# Active Hold Time (relative to SCLK)                          | 3  |   |      | ns   |    |
| tSHCH                |      | CS# Not Active Setup Time (relative to SCLK)                     | 3  |   |      | ns   |    |
| tSHSL                | tCSH | CS# Deselect Time  | From Read to next Read                           | 7                                       |      | ns   |    |
|                      |      |  | From Write/Erase/Program to Read Status Register | 30                                      |      | ns   |    |
| tSHQZ                | tDIS | Output Disable Time  |  |   | 8    | ns   |    |
| tCLQV                | tV   | Clock Low to Output Valid  | 24 BGA   | Loading: 30pF                           |      | 6.5  | ns |
|                      |      |  |  | Loading: 15pF                           |      | 6.5  | ns |
|                      |      |  |  | Loading: 10pF                           |      | 6.5  | ns |
| tCLQX                | tHO  | Output Hold Time   | 1  |   |      | ns   |    |
| tWHSL <sup>(3)</sup> |      | Write Protect Setup Time   | 20   |   |      | ns   |    |
| tSHWL <sup>(3)</sup> |      | Write Protect Hold Time  | 100  |   |      | ns   |    |
| tDP                  |      | CS# High to Deep Power-down Mode                                 |  |   | 10   | us   |    |
| tRES1                |      | CS# High to Standby Mode without Electronic Signature Read       |  |   | 30   | us   |    |
| tRES2                |      | CS# High to Standby Mode with Electronic Signature Read          |  |   | 30   | us   |    |
| tW                   |      | Write Status/Configuration Register Cycle Time                   |  |   | 40   | ms   |    |
| tBP                  |      | Byte-Program   |  | 25                                      | 60   | us   |    |
| tWREAW               |      | Write Extended Address Register                                  |  | 40                                      |      | ns   |    |
| tPP                  |      | Page Program Cycle Time  |  | 0.15                                    | 1.5  | ms   |    |
| tPP <sup>(5)</sup>   |      | Page Program Cycle Time (n bytes)                                |  | 0.016 + 0.009*<br>(n/16) <sup>(6)</sup> | 1.5  | ms   |    |
| tSE                  |      | Sector Erase Cycle Time  |  | 25                                      | 400  | ms   |    |
| tBE32                |      | Block Erase (32KB) Cycle Time                                    |  | 150                                     | 1000 | ms   |    |
| tBE                  |      | Block Erase (64KB) Cycle Time                                    |  | 220                                     | 2000 | ms   |    |
| tCE                  |      | Chip Erase Cycle Time  |  | 150                                     | 300  | s    |    |
| tESL <sup>(8)</sup>  |      | Erase Suspend Latency  |  |   | 25   | us   |    |
| tPSL <sup>(8)</sup>  |      | Program Suspend Latency  |  |   | 25   | us   |    |
| tPRS <sup>(9)</sup>  |      | Latency between Program Resume and next Suspend                  | 0.3  | 100                                     |      | us   |    |
| tERS <sup>(10)</sup> |      | Latency between Erase Resume and next Suspend                    | 0.3  | 400                                     |      | us   |    |

**Notes:**

1. tCH + tCL must be greater than or equal to 1/ Frequency.
2. Typical values given for TA=25°C. Not 100% tested.
3. Only applicable as a constraint for a WRSR instruction when SRWD is set at 1.
4. Test condition is shown as [Figure 106](#) and [Figure 107](#).
5. While programming consecutive bytes, Page Program instruction provides optimized timings by selecting to program the whole 256 bytes or only a few bytes between 1~256 bytes.
6. "n"=how many bytes to program(n>2). The number of (n/16) will be round up to next integer.
7. By default dummy cycle value. Please refer to the ["Table 1. Read performance Comparison"](#).
8. Latency time is required to complete Erase/Program Suspend operation until WIP bit is "0".
9. For tPRS, minimum timing must be observed before issuing the next program suspend command. However, a period equal to or longer than the typical timing is required in order for the program operation to make progress.
10. For tERS, minimum timing must be observed before issuing the next erase suspend command. However, a period equal to or longer than the typical timing is required in order for the erase operation to make progress.

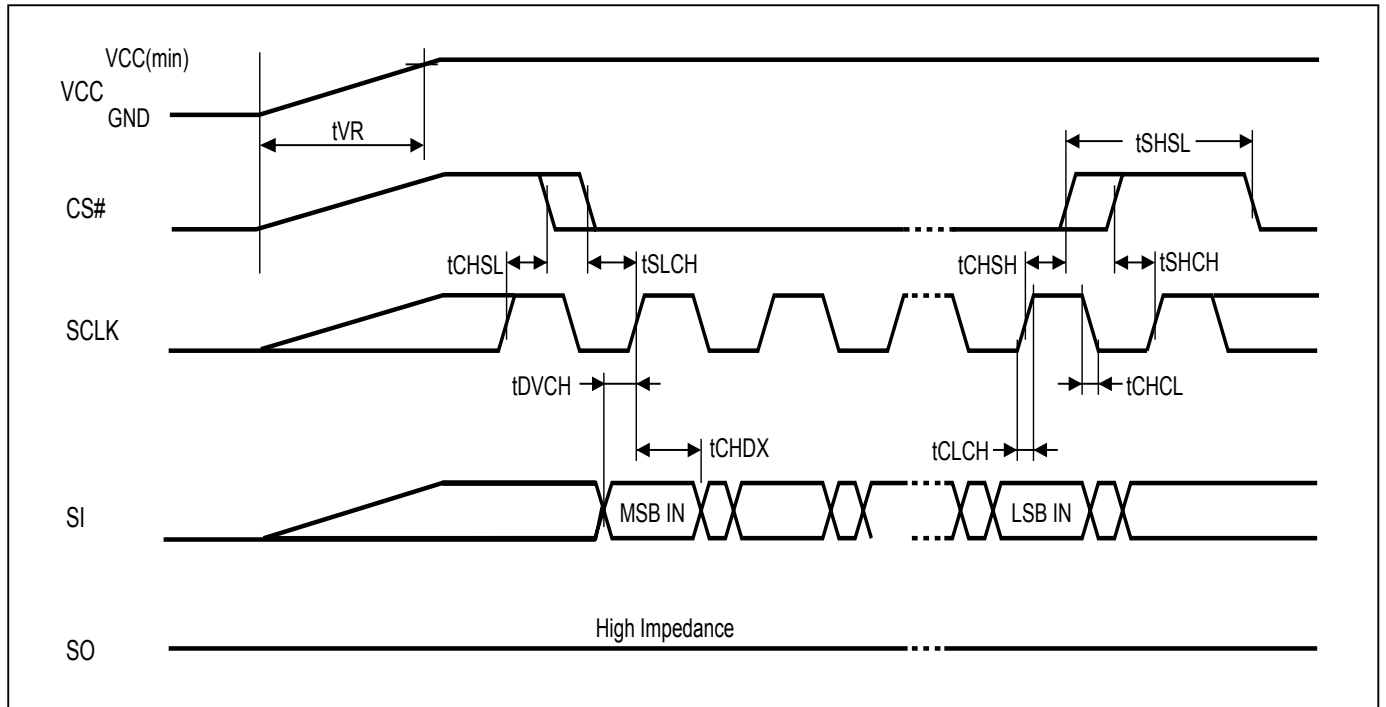
## 15. OPERATING CONDITIONS

### At Device Power-Up and Power-Down

AC timing illustrated in [Figure 109](#) and [Figure 110](#) are for the supply voltages and the control signals at device power-up and power-down. If the timing in the figures is ignored, the device will not operate correctly.

During power-up and power-down, CS# needs to follow the voltage applied on VCC to keep the device not to be selected. The CS# can be driven low when VCC reach  $V_{CC(min)}$  and wait a period of  $t_{VSL}$ .

**Figure 109. AC Timing at Device Power-Up**



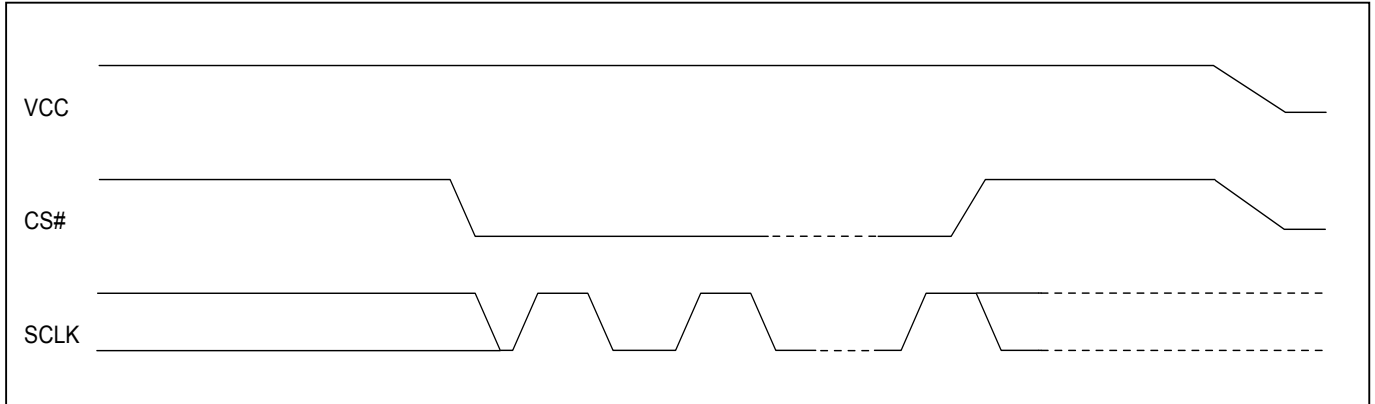
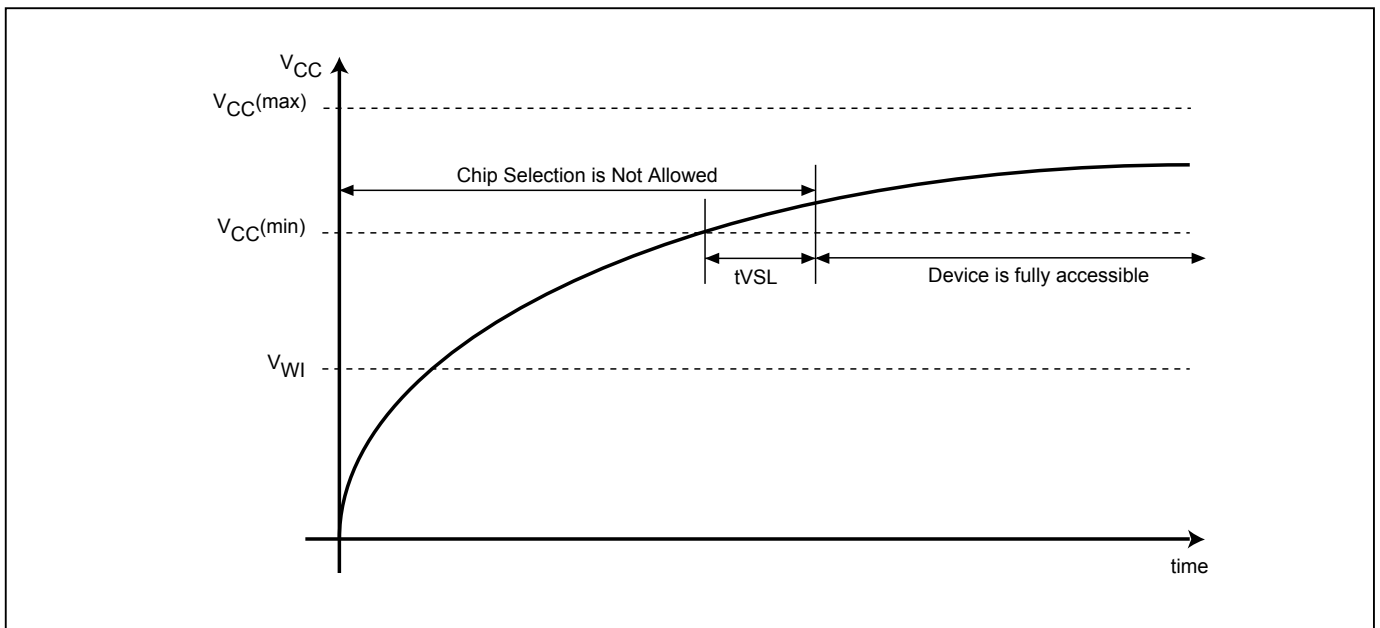
| Symbol   | Parameter     | Notes | Min. | Max.   | Unit |
|----------|---------------|-------|------|--------|------|
| $t_{VR}$ | VCC Rise Time | 1     |      | 500000 | us/V |

Notes :

1. Sampled, not 100% tested.
2. For AC spec  $t_{CHSL}$ ,  $t_{SLCH}$ ,  $t_{DVCH}$ ,  $t_{CHDX}$ ,  $t_{SHSL}$ ,  $t_{CHSH}$ ,  $t_{SHCH}$ ,  $t_{CHCL}$ ,  $t_{CLCH}$  in the figure, please refer to [Table 23. AC CHARACTERISTICS](#).

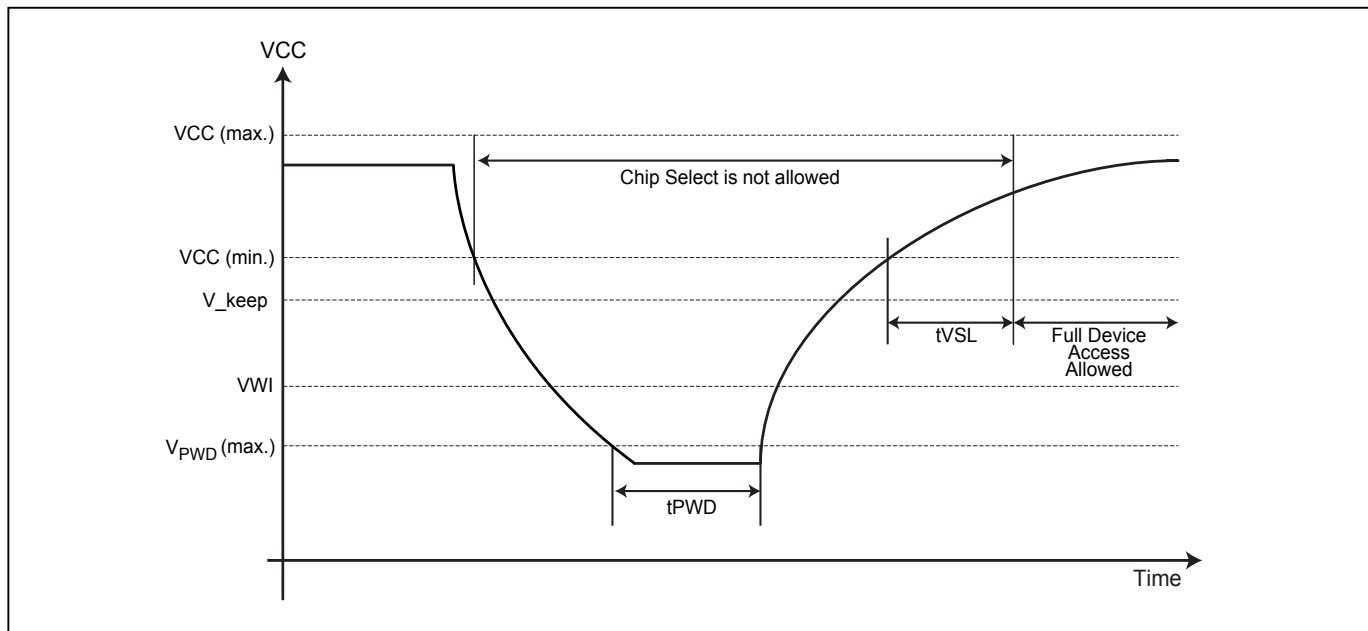
**Figure 110. Power-Down Sequence**

During power-down, CS# needs to follow the voltage drop on VCC to avoid mis-operation.

**Figure 111. Power-up Timing**

**Figure 112. Power Up/Down and Voltage Drop**

When powering down the device, VCC must drop below  $V_{PVD}$  for at least  $t_{PVD}$  to ensure the device will initialize correctly during power up. Please refer to "Figure 112. Power Up/Down and Voltage Drop" and "Table 24. Power-Up/Down Voltage and Timing" below for more details.



**Table 24. Power-Up/Down Voltage and Timing**

| Symbol     | Parameter  | Min. | Max. | Unit |
|------------|--|------|------|------|
| $V_{PVD}$  | VCC voltage needed to below $V_{PVD}$ for ensuring initialization will occur |      | 0.8  | V    |
| $V_{keep}$ | Voltage that a re-initialization is necessary if VDD drop below to VKEEP     | 1.5  |      | V    |
| $t_{PVD}$  | The minimum duration for ensuring initialization will occur                  | 300  |      | us   |
| $t_{VSL}$  | VCC(min.) to device operation  | 1500 |      | us   |
| VCC        | VCC Power Supply   | 1.65 | 2.0  | V    |
| VWI        | Write Inhibit Voltage  | 1.0  | 1.5  | V    |

**Note:** These parameters are characterized only.

### 15-1. INITIAL DELIVERY STATE

The device is delivered with the memory array erased: all bits are set to 1 (each byte contains FFh). The Status Register contains 00h (all Status Register bits are 0).



**16. ERASE AND PROGRAMMING PERFORMANCE**

| Parameter                                    | Min. | Typ. <sup>(1)</sup> | Max. <sup>(2)</sup> | Unit   |
|--|------|---------------------|---------------------|--------|
| Write Status Register Cycle Time             |      |                     | 40                  | ms     |
| Sector Erase Cycle Time (4KB)                |      | 25                  | 400                 | ms     |
| Block Erase Cycle Time (32KB)                |      | 150                 | 1000                | ms     |
| Block Erase Cycle Time (64KB)                |      | 220                 | 2000                | ms     |
| Chip Erase Cycle Time                        |      | 150                 | 300                 | s      |
| Byte Program Time (via page program command) |      | 25                  | 60                  | us     |
| Page Program Time                            |      | 0.15                | 1.5                 | ms     |
| Erase/Program Cycle                          |      | 100,000             |                     | cycles |

Note:

1. Typical program and erase time assumes the following conditions: 25°C, 1.8V, and checkerboard pattern.
2. Under worst conditions of 1.65V and the temperature of the worst case.
3. System-level overhead is the time required to execute the first-bus-cycle sequence for the programming command.

**17. DATA RETENTION**

| Parameter      | Condition | Min. | Max. | Unit  |
|----------------|-----------|------|------|-------|
| Data retention | 55°C      | 20   |      | years |

**18. LATCH-UP CHARACTERISTICS**

|   | Min.   | Max.       |
|---|--------|------------|
| Input Voltage with respect to GND on all power pins     |        | 1.5 VCCmax |
| Input current with respect to GND on all non-power pins | -100mA | +100mA     |
| Test conditions are compliant to JEDEC JDESD78 standard |        |            |

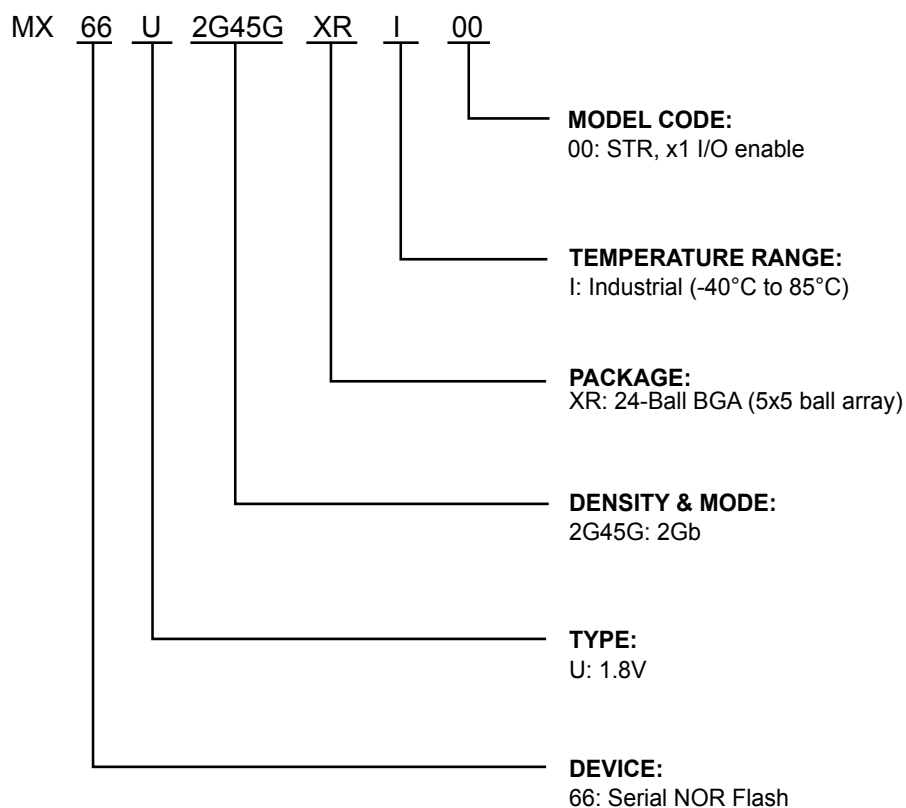


**19. ORDERING INFORMATION**

Please contact Macronix regional sales for the latest product selection and available form factors.

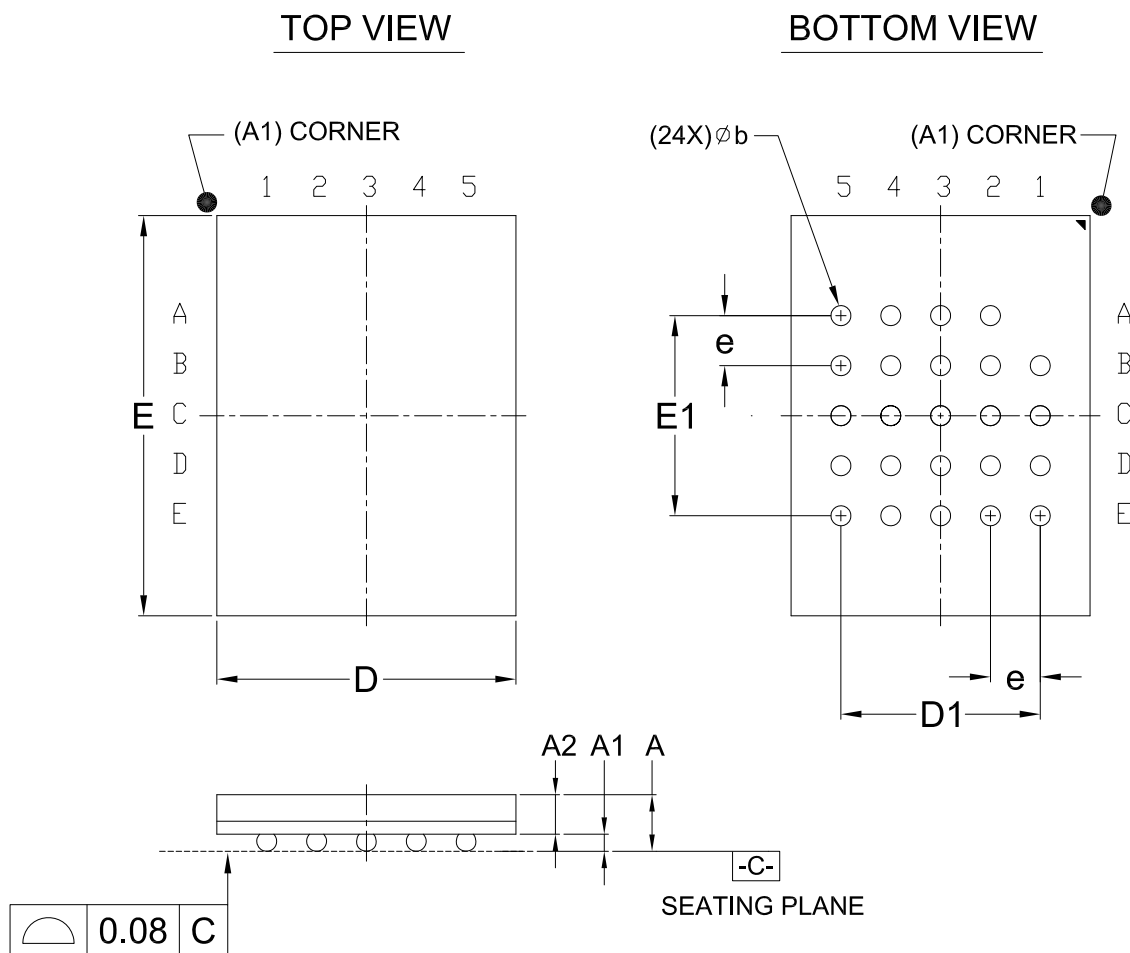
| <b>PART NO.</b> | <b>TEMPERATURE</b> | <b>PACKAGE</b>                  | <b>Remark</b>                            |
|-----------------|--------------------|---------------------------------|--|
| MX66U2G45GXRI00 | -40°C to 85°C      | 24-Ball BGA<br>(5x5 ball array) | Supported password<br>protection feature |

## 20. PART NAME DESCRIPTION



**21. PACKAGE INFORMATION**

Doc. Title: Package Outline for CSP 24BALL (6x8x1.3MM, BALL PITCH 1.0MM, BALL DIAMETER 0.4MM, 5x5 BALL ARRAY)



Dimensions (inch dimensions are derived from the original mm dimensions)

| SYMBOL |      | A     | A1    | A2    | b     | D     | D1    | E     | E1    | e     |
|--------|------|-------|-------|-------|-------|-------|-------|-------|-------|-------|
| mm     | Min. | ---   | 0.25  | 0.75  | 0.35  | 5.90  | --    | 7.90  | ---   | ---   |
|        | Nom. | ---   | 0.30  | --    | 0.40  | 6.00  | 4.00  | 8.00  | 4.00  | 1.00  |
|        | Max. | 1.30  | 0.35  | --    | 0.45  | 6.10  | --    | 8.10  | ---   | ---   |
| Inch   | Min. | --    | 0.010 | 0.030 | 0.014 | 0.232 | --    | 0.311 | ---   | ---   |
|        | Nom. | --    | 0.012 | --    | 0.016 | 0.236 | 0.157 | 0.315 | 0.157 | 0.039 |
|        | Max. | 0.051 | 0.014 | --    | 0.018 | 0.240 | --    | 0.319 | ---   | ---   |

**22. REVISION HISTORY**

| <b>Revision No.</b> | <b>Description</b>   | <b>Page</b>  | <b>Date</b> |
|---------------------|--|--|-------------|
| 0.01                | 1. Updated tVR values  | P118,120   | NOV/16/2016 |
|                     | 2. Updated the package information and removed 0A part No.                 | P122-124   |             |
|                     | 3. Updated the note for the internal pull up status of RESET# and WP#/SIO2 | P8   |             |
|                     | 4. Added SFDP table  | P97-110  |             |
|                     | 5. Content correction  | P7,12,14,24-26,29,<br>P45,58,65-66,77,82,<br>P84-86,89,120 |             |
| 1.0                 | 1. Removed "Advanced Information" to align with the product status         | All  | MAY/29/2018 |
|                     | 2. Updated Quad I/O DTR Read Frequency                                     | P7,28  |             |
|                     | 3. Updated ICC2/ICC3/ICC4/ICC5 values.                                     | P115   |             |
|                     | 4. Modified tDVCH/tCHDX/tCLQX values.                                      | P116   |             |
|                     | 5. Modified tPP values and notes   | P116,117   |             |
|                     | 6. Added <i>"Figure 108. SCLK TIMING DEFINITION"</i>                       | P114   |             |
|                     | 7. Added "Macronix Proprietary" footnote.                                  | All  |             |
|                     | 8. Added Note for <i>"Table 24. Power-Up/Down Voltage and Timing"</i>      | P120   |             |
|                     | 9. Format modifications for package outline                                | P124   |             |
|                     | 10. Content correction   | P21,27,33,69,85,91,<br>P114,116,121                        |             |



Except for customized products which have been expressly identified in the applicable agreement, Macronix's products are designed, developed, and/or manufactured for ordinary business, industrial, personal, and/or household applications only, and not for use in any applications which may, directly or indirectly, cause death, personal injury, or severe property damages. In the event Macronix products are used in contradicted to their target usage above, the buyer shall take any and all actions to ensure said Macronix's product qualified for its actual use in accordance with the applicable laws and regulations; and Macronix as well as it's suppliers and/or distributors shall be released from any and all liability arisen therefrom.

CCopyright© Macronix International Co., Ltd. 2016-2018. All rights reserved, including the trademarks and tradename thereof, such as Macronix, MXIC, MXIC Logo, MX Logo, Integrated Solutions Provider, Nbit, Macronix NBit, HybridNVM, HybridFlash, HybridXFlash, XtraROM, KH Logo, BE-SONOS, KSMC, Kingtech, MXSMIO, Macronix vEE, Macronix MAP, RichBook, Rich TV, OctaRAM, OctaBus, OctaFlash, and FitCAM. The names and brands of third party referred thereto (if any) are for identification purposes only.

For the contact and order information, please visit Macronix's Web site at: <http://www.macronix.com>