

PART NUMBER CODING

C S -M30RC

MOUNTING STYLES

C - SMT, SINGLE ROW MALE, PIN 1 (STANDARD)
D - SMT, SINGLE ROW MALE, PIN 1 (OPPOSITE BEND)

TERMINATION TYPE

NUMBER OF POSITIONS
(CONTACTS PER ROW, 002 THRU 040)

PLATING

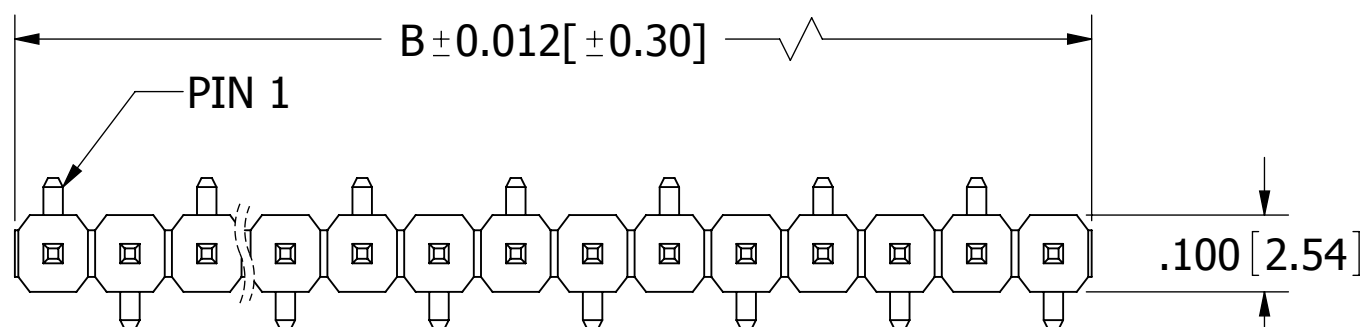
(ALL PLATINGS HAVE .000030" ~ .000050" MIN NICKEL UNDERPLATE)
CONTACT SURFACE TERMINATION
B = .000010" GOLD .000100" PURE TIN, MATTE
C = .000030" GOLD .000100" PURE TIN, MATTE
E = TIN OVERALL
P = GOLD FLASH OVERALL

INSULATOR / CONTACT MATERIAL

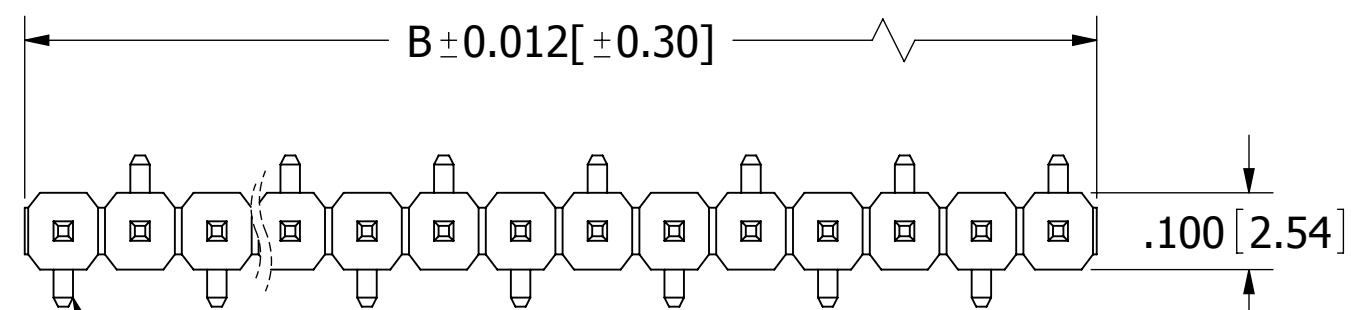
NR = NYLON 6T / BRASS
OPERATING TEMPERATURE: -40° C TO +105° C.
PROCESSING TEMP: WAVE/MANUAL SOLDERING ONLY.

LR = LCP / BRASS
OPERATING TEMPERATURE: -40° C TO +125° C.
PROCESSING TEMP: 230°C MAX FOR 60 SECS
(260°C MAX FOR 10 SECS)

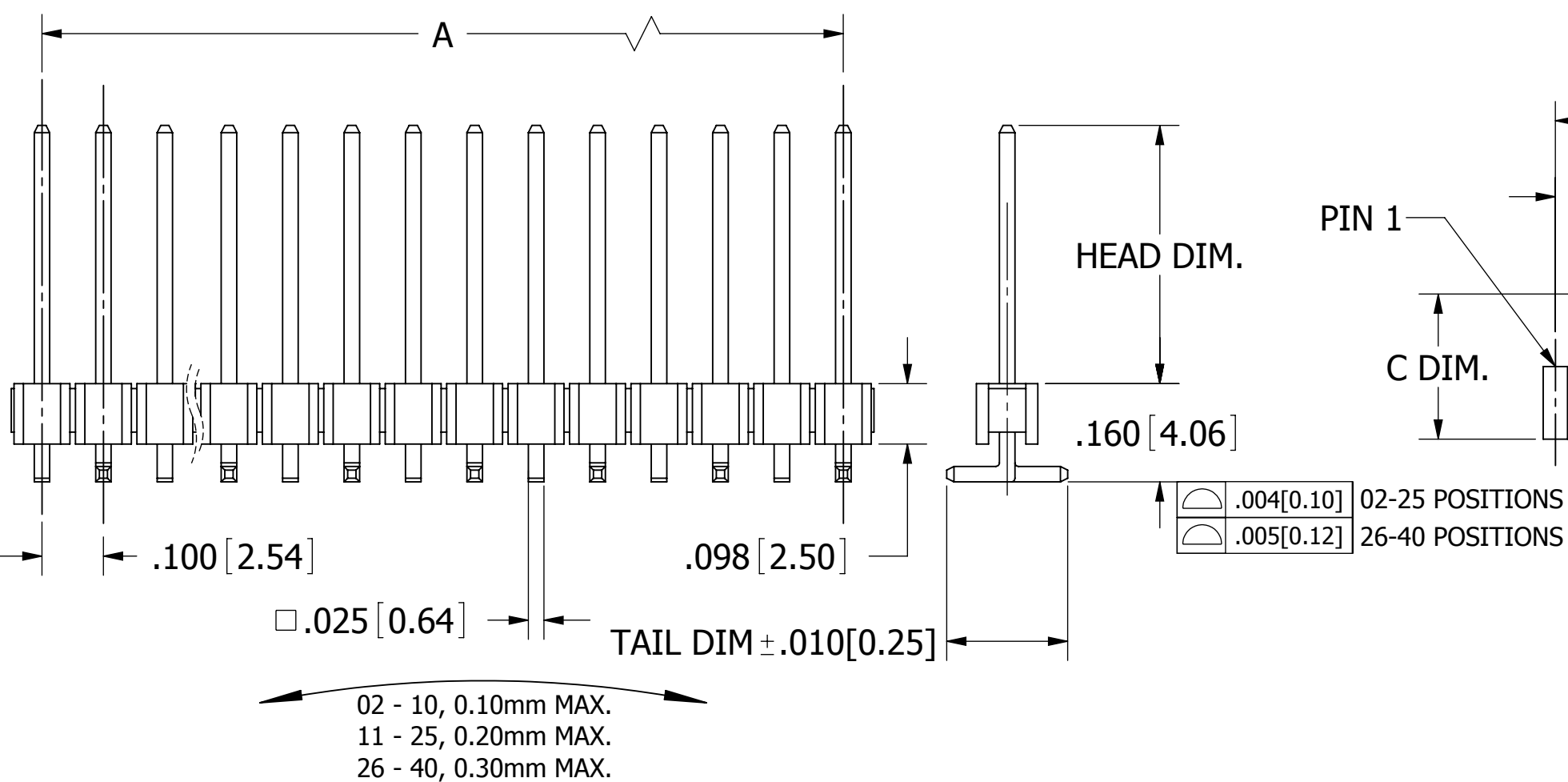
REVISIONS				
REV.	ECO. NO	DESCRIPTION	DATE	BY
C	2668	ADD 'LCP' MATERIAL AND REMOVE 'NYLON 9T'	09/06/2012	LH
D	2828	UPDATE PROCESSING TEMPERATURE FOR NYLON 6T MATERIAL, ADD 2-POSITION DIMENSION ON TABLE, UPDATE LCP OPERATING TEMP TO -40° C TO +125° C (WAS -40° C TO +105° C)	04/09/2015	LH
E	3535	ADD WARP TOLERANCE AND SMT TAIL COPLANAR TOLERANCE ON DRAWING	10/05/2016	LH



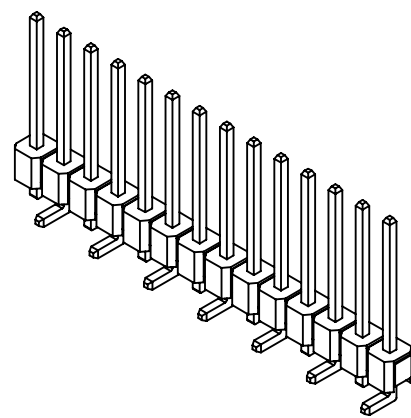
-R_C_S_C-M30RC
(STANDARD)



R_C_S_D-M30RC
(OPPOSITE BEND, ONLY APPLICABLE ON EVEN PIN COUNTS)

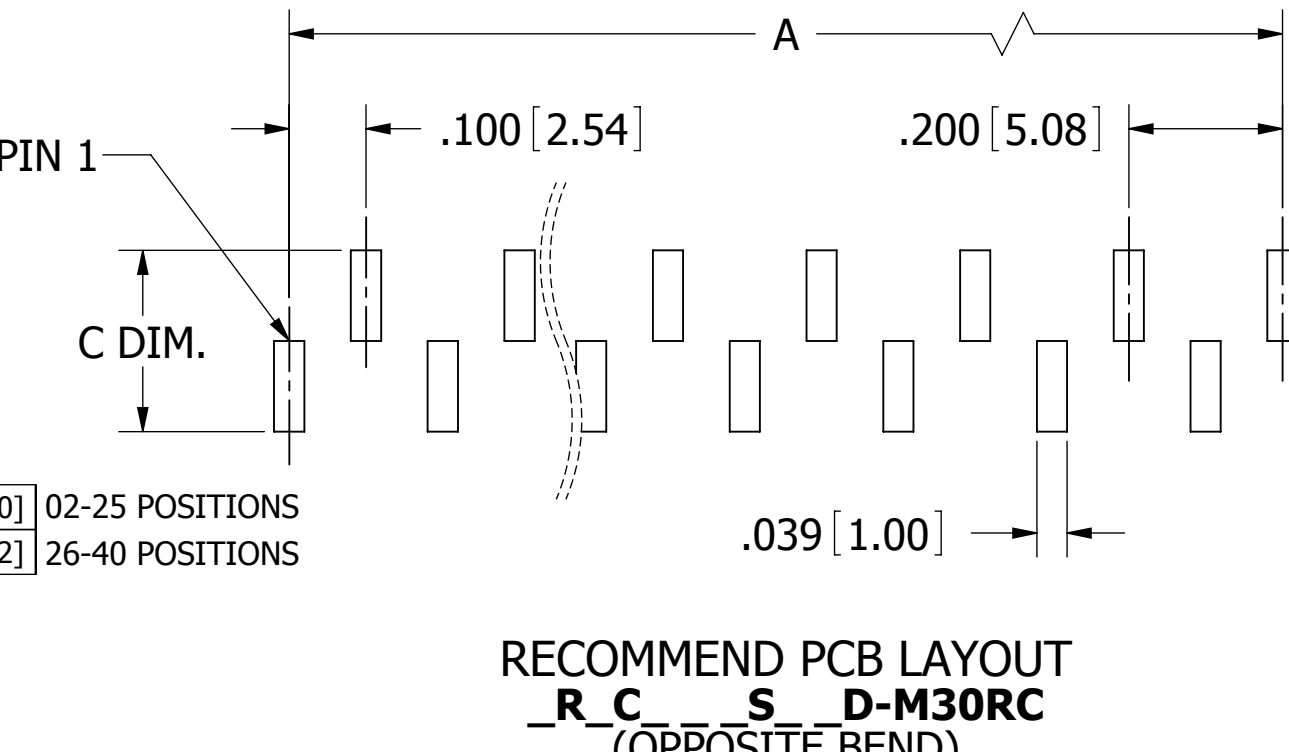
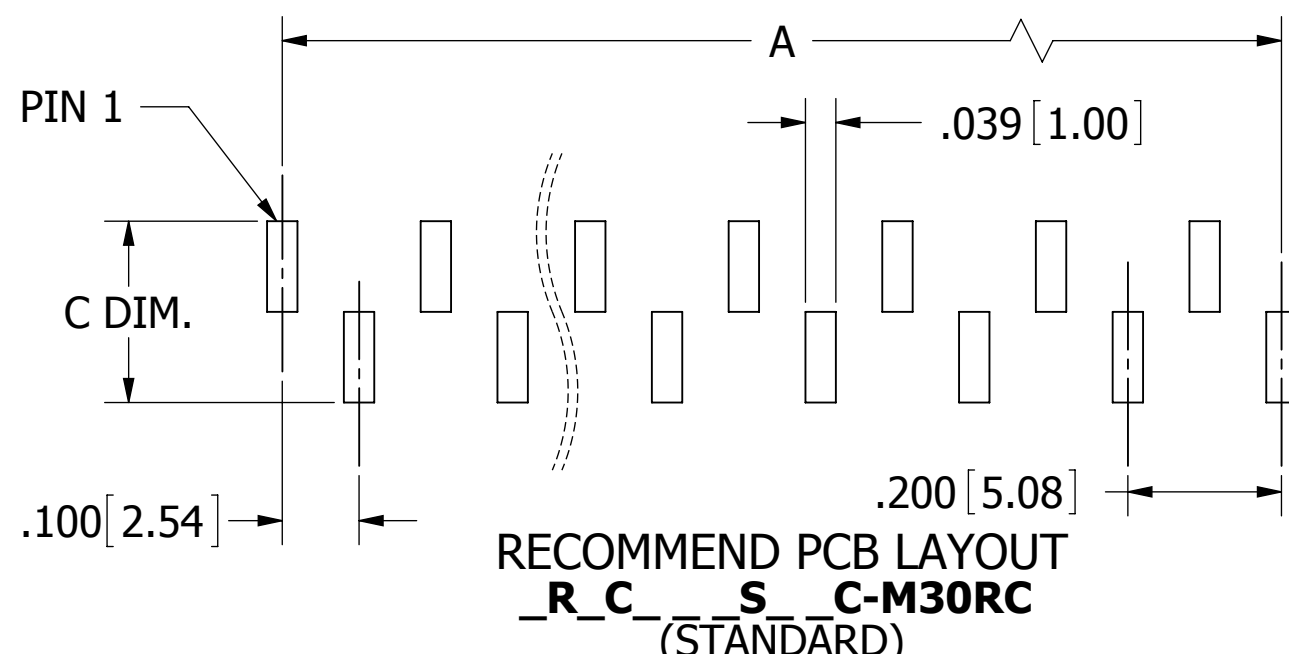


- NOTES:**
1. INSULATOR MATERIAL: SEE PART NUMBER CODING, UL 94V-0, BLACK.
 2. CONTACT MATERIAL: SEE PART NUMBER CODING.
 3. CONTACT PLATING: SEE PART NUMBER CODING.
 4. CURRENT RATING: 3 AMPS.
 5. INSULATOR RESISTANCE: 5000 MEGOHMS MIN.
 6. CONTACT RESISTANCE: 20 MILLIOHMS MAX.
 7. DIELECTRIC WITHSTANDING: 1000 V AC.
 8. OPERATING TEMPERATURE: SEE PART NUMBER CODING.



TERMINATION TYPE						
CODE	HEAD DIM		TAIL DIM		C DIM	
	INCH	MM	INCH	MM	INCH	MM
AB	0.230	5.84	0.320	8.13	0.359	9.13
FB	0.318	8.08	0.300	7.62	0.339	8.62
ZS	0.120	3.05	0.200	5.08	0.239	6.08
ZT	0.420	10.67	0.200	5.08	0.239	6.08

PART NUMBER	A		B	
	INCH	MM	INCH	MM
-C002S_-M30RC	0.100	2.54	0.200	5.08
-C003S_-M30RC	0.200	5.08	0.300	7.62
-C004S_-M30RC	0.300	7.62	0.400	10.16
-C005S_-M30RC	0.400	10.16	0.500	12.70
-C006S_-M30RC	0.500	12.70	0.600	15.24
-C007S_-M30RC	0.600	15.24	0.700	17.78
-C008S_-M30RC	0.700	17.78	0.800	20.32
-C009S_-M30RC	0.800	20.32	0.900	22.86
-C010S_-M30RC	0.900	22.86	1.000	25.40
-C011S_-M30RC	1.000	25.40	1.100	27.94
-C012S_-M30RC	1.100	27.94	1.200	30.48
-C013S_-M30RC	1.200	30.48	1.300	33.02
-C014S_-M30RC	1.300	33.02	1.400	35.56
-C015S_-M30RC	1.400	35.56	1.500	38.10
-C016S_-M30RC	1.500	38.10	1.600	40.64
-C017S_-M30RC	1.600	40.64	1.700	43.18
-C018S_-M30RC	1.700	43.18	1.800	45.72
-C019S_-M30RC	1.800	45.72	1.900	48.26
-C020S_-M30RC	1.900	48.26	2.000	50.80
-C021S_-M30RC	2.000	50.80	2.100	53.34
-C022S_-M30RC	2.100	53.34	2.200	55.88
-C023S_-M30RC	2.200	55.88	2.300	58.42
-C024S_-M30RC	2.300	58.42	2.400	60.96
-C025S_-M30RC	2.400	60.96	2.500	63.50
-C026S_-M30RC	2.500	63.50	2.600	66.04
-C027S_-M30RC	2.600	66.04	2.700	68.58
-C028S_-M30RC	2.700	68.58	2.800	71.12
-C029S_-M30RC	2.800	71.12	2.900	73.66
-C030S_-M30RC	2.900	73.66	3.000	76.20
-C031S_-M30RC	3.000	76.20	3.100	78.74
-C032S_-M30RC	3.100	78.74	3.200	81.28
-C033S_-M30RC	3.200	81.28	3.300	83.82
-C034S_-M30RC	3.300	83.82	3.400	86.36
-C035S_-M30RC	3.400	86.36	3.500	88.90
-C036S_-M30RC	3.500	88.90	3.600	91.44
-C037S_-M30RC	3.600	91.44	3.700	93.98
-C038S_-M30RC	3.700	93.98	3.800	96.52
-C039S_-M30RC	3.800	96.52	3.900	99.06
-C040S_-M30RC	3.900	99.06	4.000	101.60



UNLESS OTHERWISE SPECIFIED:
DIMENSIONS ARE IN INCHES [MM]

TOLERANCES:
ANGULAR:
.XX± .01 [3]
.XXX± .008 [20]
.XXXX± .0040 [100]

DRAWN	DATE	NAME	
	03/22/2011	LH	
<small>THE INFORMATION HEREIN CONTAINS PROPRIETARY INFORMATION OF SULLINS ELECTRONICS AND IS NOT TO BE REPRODUCED, USED OR DISCLOSED TO OTHERS FOR ANY PURPOSE EXCEPT AS SPECIFICALLY AUTHORIZED IN WRITING BY AN OFFICER OF SULLINS ELECTRONICS.</small>			TITLE HEADER MALE .100"[2.54mm]PITCH, SMT
PART NUMBER -R_C_S(AB,FB,ZS,ZT)_-M30RC			SIZE C
CAGE CODE 54453		DWG. NO. 11657	REV E
SCALE: 4:1		SHEET 1 OF 1	