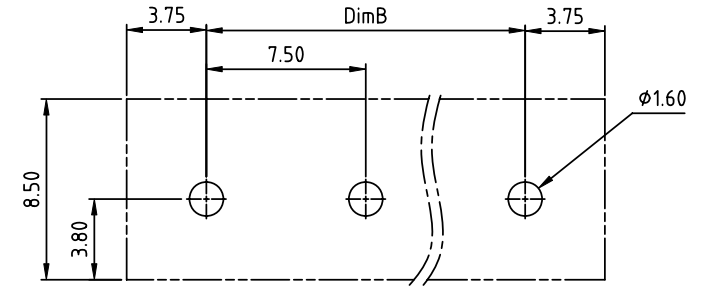
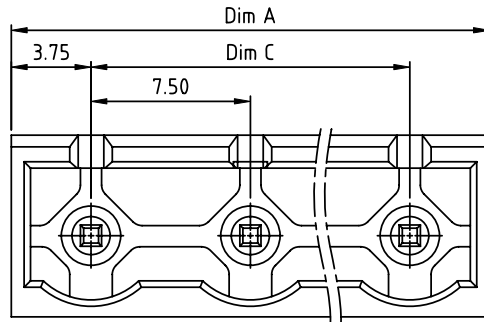
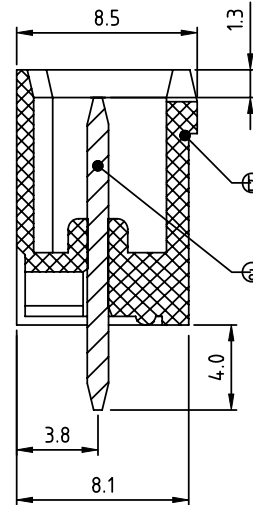
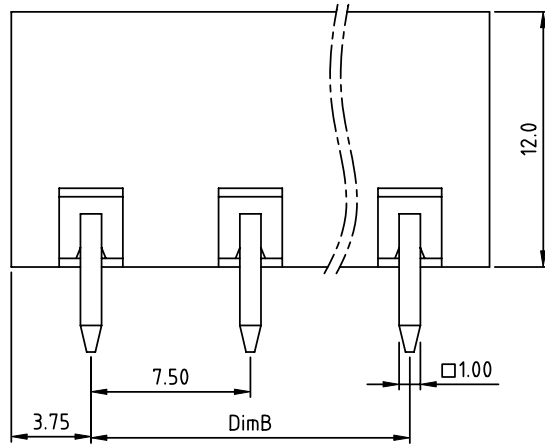


PRODUCT NUMBER	PITCH
OQxxA1x000J0G	7.50 mm



RECOMMENDED P.C.B LAYOUT
TOP VIEW



Material:

- Item ① Male contact pin: Copper Tin plated
- Item ② Terminal housing: Thermoplastic (UL94V-0)

- Electrical:
- | | | |
|--------------------------|-----------------|------|
| | cULus | TUV |
| ● Voltage rating: | 300V | 750V |
| ● Current rating: | 20A | 15A |
| ● Withstanding Voltage: | 1.6 KV | 6KV |
| ● Operating temperature: | -40°C to +115°C | |
| ● Soldering temperature: | 260°C±5°C/5 Sec | |
| ● Safety Approval: | | |

DIMENSION

Dim A	NX7.5
Dim B&C	(N-1)X7.5

N= NUMBER OF POLES

Poles	Tolerance
2P-6P	±0.20
7P-12P	±0.30
13P-16P	±0.40

PART NO.: OQ xx A 1 x 0 00J0 G

- | | | | | | |
|--------------|----------|------------|-------------------|-----------------|-----------------|
| No. of poles | 0 | Body Color | 0 | Black (RAL9005) | RoHS compliant |
| 02 | 2 poles | 2 | Red (RAL3001/D) | | (lead<4%) |
| 03 | 3 poles | 3 | Orange(RAL2011/P) | | In copper Alloy |
| ... | ... | 4 | Yellow(RAL1018/A) | | |
| 16 | 16 poles | 5 | Green(RAL6018/T) | | |
| | | 6 | Blue (RAL5015/A) | | |
| | | 8 | Grey(RAL7035/D) | | |
| | | 9 | White(RAL1102) | | |
| | | C | Green(RAL6018/U) | | |

mat'l. code		surface ASME Y14.5	tolerance ASME Y14.5	projection	product family TERMINAL BLOCK
ltr	ecn no	dr	date		title TERMINAL BLOCK
				tolerances unless otherwise specified	PLUGGABLE SOCKET,CLOSE TYPE,VERTICAL
				angles X±0.5	scale
				parallel X.X±0.3	MM
				X*±1*	X.XX±0.1
		dr	HANKE FENG 040414		dwg no OQxxA1x000J0G
		enr	HANKE FENG 040414		sheet 1 of 1 size A4
		chr	SHI JUN 040414		type CUSTOMER Drawing
		appd	SHI JUN 040414		
sheet index	revision sheet	A	1		