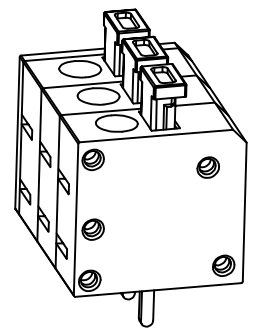
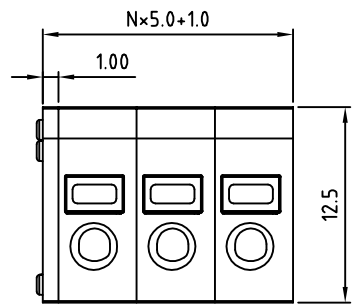


SIGN	DATE	DESCRIPTION	APPROVER
THIS IS CAD DRAWING, DO NOT REVISE MANUALLY!!!			



**Material**

- Terminal body (Contact pin): Brass
- Wire guard: Stainless steel
- Surface of solder tail: Tin plated
- Insulator (housing): Thermoplastic (UL94V-0)

**Electrical**

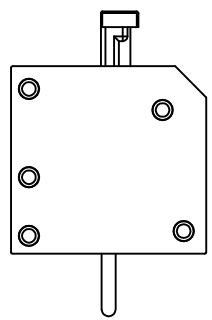
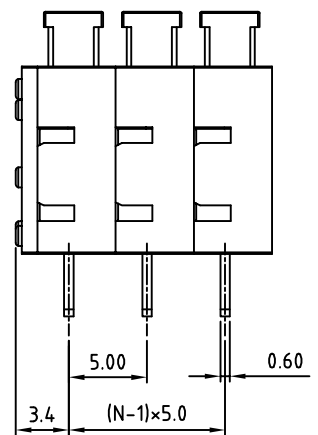
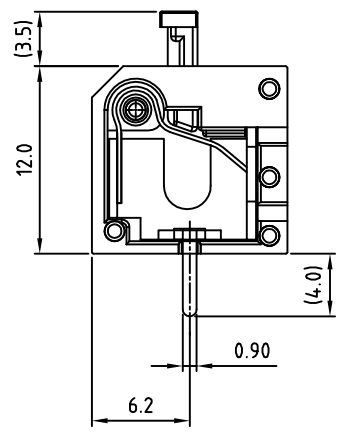
- Voltage rating: 300VAC
- Current rating: 6A
- Wire range:
  - Solid wire(AWG): 16-26
  - Stranded wire(AWG): 16-26
- Wire strip length: 6-7mm
- Withstanding Voltage: 1.6KV
- Operating temperature: -30°C to +105°C
- Soldering temperature: 250°C±10°C/5 Sec
- Safety Approval: us

RoHS Compliant

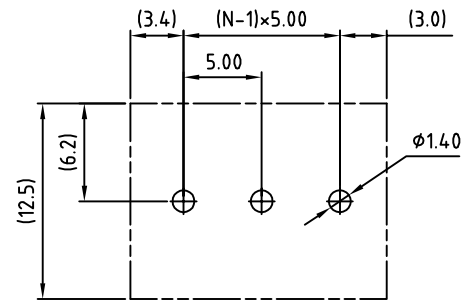
PART NUMBER:

**OSTHXXX0080**

No. of Poles	COLOR
01: 1 Pole	0: Black
02: 2 Poles	2: Red
...	5: Green
24 24 Poles	8: Grey(Standard)
	9: White
	C: Multiple colors



N=Number of poles



P.C.B LAYOUT

THESE DRAWINGS AND SPECIFICATIONS ARE THE PROPERTY OF ON-SHORE TECHNOLOGY, INC. AND SHALL NOT BE REPRODUCED, COPIED OR USED IN ANY MANNER WITHOUT THE PRIOR WRITTEN CONSENT OF ON-SHORE TECHNOLOGY, INC.



TITLE		OSTHX 5.0mm series vertical 90° (Wire inlet)				
PART NO.		OSTHXXX0080		DWG NO.	OSTHXXX0080.DWG	
APPROVED	CHECKED	DESIGNED	DRAWN	CUST NO.	Tolerance	
Shi jun 2006.11.07	Marivn 2006.06.20	Marivn 2006.06.20	Marivn 2006.06.20		X. ±0.50	
					UNIT: mm	X.X ±0.30
				SHEET: 01/01	SCALE: NONE	X.XX ±0.10
					REV: C	X° ±1°