

PLA15F

① PL ② A ③ 15 ④ F ⑤ -□ ⑥ -□



Example recommended EMI/EMC filter
NAC-04-472



High voltage pulse noise type : NAP series
Low leakage current type : NAM series
* A higher current rating EMI/EMC filter may be recommended in view of the other devices that could be connected in parallel with the power supply.

- ① Series name
- ② Single output
- ③ Output wattage
- ④ Universal input
- ⑤ Output voltage
- ⑥ Optional *7
C : with Coating
J : Connector interface
T : Vertical terminal block
-N□ : with DIN rail

See 5.1 in Instruction Manual.

*Make sure necessary tests will be carried out on your end equipment with the power supply installed in accordance with any required EMC/EMI regulations.

SPECIFICATIONS

	MODEL	PLA15F-5	PLA15F-12	PLA15F-15	PLA15F-24	
INPUT	VOLTAGE[V]	AC85 - 264 1 φ (Output derating is required at AC85V - 115V. See 1.1 and 3.2 in Instruction Manual) *3				
	CURRENT[A]	ACIN 100V	0.4typ (Io=90%)			
		ACIN 115V	0.4typ (Io=100%)			
		ACIN 230V	0.25typ (Io=100%)			
	FREQUENCY[Hz]	50 / 60 (47 - 63)				
	EFFICIENCY[%]	ACIN 100V	72.5typ (Io=90%)	75.5typ (Io=90%)	77.0typ (Io=90%)	78.0typ (Io=90%)
		ACIN 115V	73.5typ (Io=100%)	77.0typ (Io=100%)	78.5typ (Io=100%)	79.0typ (Io=100%)
		ACIN 230V	75.5typ (Io=100%)	78.5typ (Io=100%)	79.5typ (Io=100%)	80.0typ (Io=100%)
	INRUSH CURRENT[A]	ACIN 100V	16typ (Io=90%) Ta=25°C at cold start			
		ACIN 115V	16typ (Io=100%) Ta=25°C at cold start			
ACIN 230V		32typ (Io=100%) Ta=25°C at cold start				
LEAKAGE CURRENT[ma]	0.30max (ACIN 115V / 240V, 60Hz, Io=100%, According to IEC60950-1 and DEN-AN)					
OUTPUT	VOLTAGE[V]	5	12	15	24	
	CURRENT[A]	3	1.3	1	0.7	
	WATTAGE[W]	ACIN 85-115V	Output derating is required at ACIN 115V or less (refer to instruction manual 3.2)			
		ACIN 115V-264V	15.0	15.6	15.0	16.8
	LINE REGULATION[mV] *4	20max	48max	60max	96max	
	LOAD REGULATION[mV] *4	40max	100max	120max	150max	
	RIPPLE[mVp-p] *1	0 to +50°C	80max	120max	120max	120max
		-10 to 0°C	140max	160max	160max	160max
		Io=0 to 35%	160max	240max	240max	280max
	RIPPLE NOISE[mVp-p] *1	0 to +50°C	120max	150max	150max	150max
		-10 to 0°C	160max	180max	180max	180max
		Io=0 to 35%	240max	300max	300max	320max
	TEMPERATURE REGULATION[mV]	0 to +50°C	50max	120max	150max	240max
		-10 to +50°C	60max	150max	180max	290max
	DRIFT[mV] *2	20max	48max	60max	96max	
	START-UP TIME[ms]	200typ (ACIN 115V, Io=100%) *Start-up time is 700 ms typ for less than 1 minute of applying input again from turning off the input voltage.				
HOLD-UP TIME[ms]	20typ (ACIN 115V, Io=100%)					
OUTPUT VOLTAGE ADJUSTMENT RANGE[V]	4.50 to 5.50	10.80 to 13.20	13.50 to 16.50	21.60 to 26.40		
OUTPUT VOLTAGE SETTING[V]	5.00 to 5.15	12.00 to 12.48	15.00 to 15.60	24.00 to 24.96		
PROTECTION CIRCUIT AND OTHERS	OVERCURRENT PROTECTION	Works over 105% of rating and recovers automatically				
	OVERVOLTAGE PROTECTION[V]	5.75 to 7.00	13.80 to 16.80	17.25 to 21.00	27.60 to 33.60	
	OPERATING INDICATION	LED (Green)				
	REMOTE SENSING	Not provided				
REMOTE ON/OFF	Not provided					
ISOLATION	INPUT-OUTPUT	AC3,000V 1minute, Cutoff current = 10mA, DC500V 50MΩ min (At room temperature)				
	INPUT-FG	AC2,000V 1minute, Cutoff current = 10mA, DC500V 50MΩ min (At room temperature)				
	OUTPUT-FG	AC500V 1minute, Cutoff current = 25mA, DC500V 50MΩ min (At room temperature)				
ENVIRONMENT	OPERATING TEMP., HUMID. AND ALTITUDE *5	-20 to +70°C, 20 - 90%RH (Non condensing), 3,000m (10,000 feet) max				
	STORAGE TEMP., HUMID. AND ALTITUDE	-20 to +75°C, 20 - 90%RH (Non condensing), 9,000m (30,000 feet) max				
	VIBRATION	10 - 55Hz, 19.6m/s ² (2G), 3minutes period, 60minutes each along X, Y and Z axes				
	IMPACT	196.1m/s ² (20G), 11ms, once each X, Y and Z axes				
SAFETY AND NOISE REGULATIONS	AGENCY APPROVALS	UL60950-1, C-UL (CSA60950-1), EN60950-1, EN50178, UL508 (Except option -J) Complies with DEN-AN				
	CONDUCTED NOISE	Complies with FCC-B, VCCI-B, CISPR22-B, EN55011-B, EN55022-B				
	HARMONIC ATTENUATOR *8	Complies with IEC61000-3-2 class A				

SPECIFICATIONS

OTHERS	CASE SIZE/WEIGHT	38×80×73mm [1.50×3.15×2.87 inches] (Excluding terminal block and screw) (W×H×D) / 250g max
	COOLING METHOD	Convection
WARRANTY	WARRANTY	*6 5 years (subject to the operating conditions)

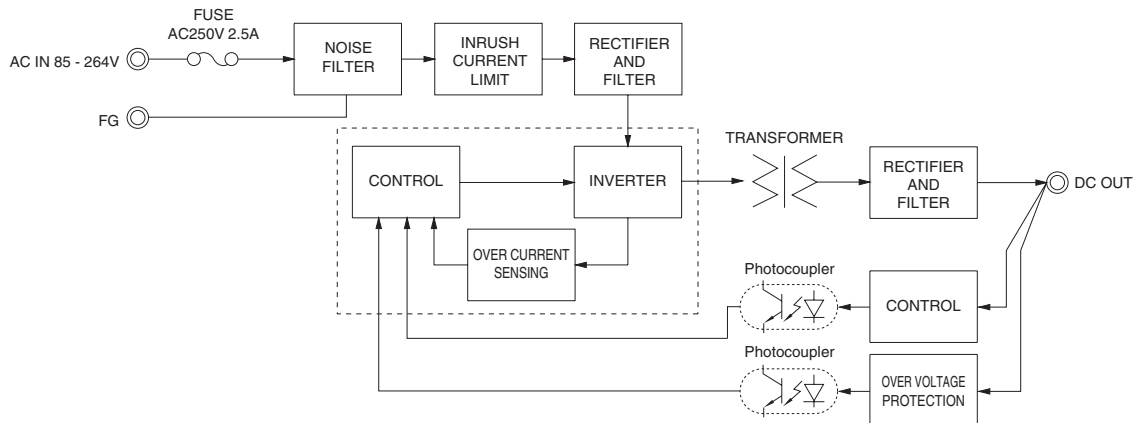
- *1 This is the result of measurement of the testing board with capacitors of 22 μF and 0.1 μF placed at 150 mm from the output terminals by a 20 MHz oscilloscope or a ripple-noise meter equivalent to Keisoku-Giken RM103. See 1.6 of Instruction Manual for more details. When the load factor is 0 - 35%, the switching power loss is reduced by burst operation, which will cause ripple and ripple noise to go beyond the specifications.
- *2 Drift is the change in DC output for an eight hour period after a half-hour warm-up at 25°C.
- *3 As for DC input, consult us for advice.
- *4 Consult us about dynamic load and input response. Measure the output voltage by using the average mode of the tester to deal with the burst operation at 35% load or less.

- *5 Output power derating is required. See 3.2 in Instruction Manual.
- *6 See 3.3 in Instruction Manual for more details.
- *7 Consult us about safety agency approvals for the models with optional functions.
- *8 Consult us about other classes.
- * Do not use the power supply in overcurrent conditions or in unspecified input voltage ranges. Otherwise the internal components may be damaged.
- * Parallel operation is not possible with this mode.
- * Sound noise may be heard from the power supply when used for pulse load.

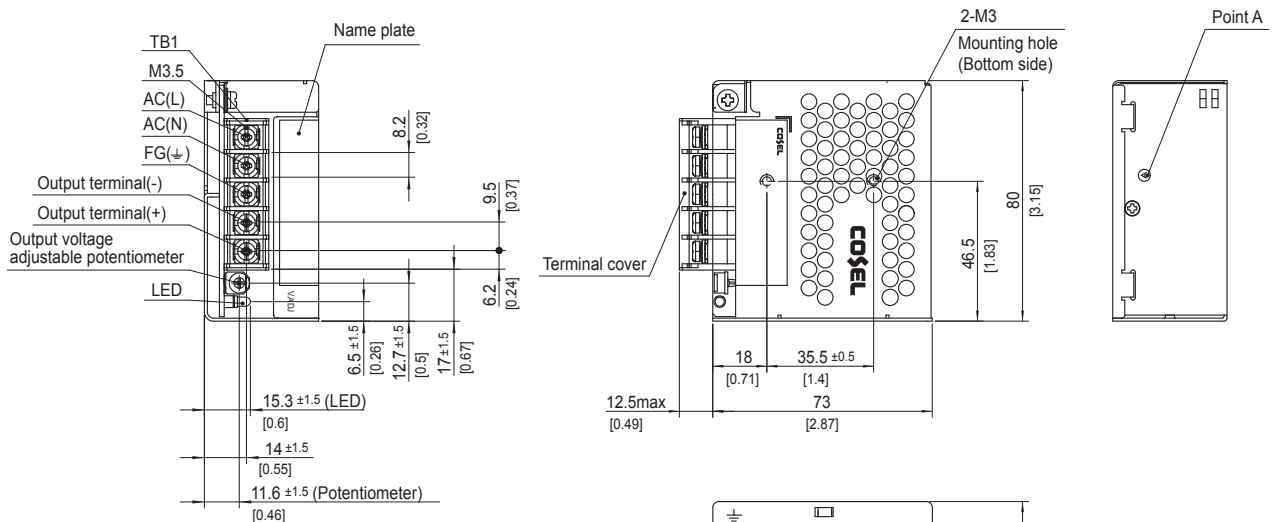
Features

- Compact design (Depth: 73mm 2.87inches)
- Low power consumption (1.0W typ AC240Vin, no load at standard model)
- UL508 approved (Except option -J), and complies with SEMI F47
- Various connection interface options (vertical terminal [-T], AMP connector [-J])

Block diagram



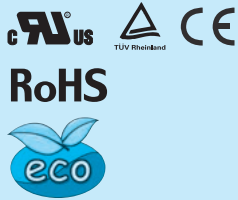
External view



- ※ Tolerance : ±1 [±0.04]
- ※ Weight : 250g max
- ※ PCB Material/thickness : CEM-3 / 1.6mm [0.06inches]
- ※ Chassis material : Electric galvanizing steel board
- ※ Case material : Electric galvanizing steel board
- ※ Dimensions in mm, []=inches
- ※ Mounting torque : 0.6N · m max
- ※ Screw tightening torque : 1.0N · m max

PLA30F

① **PL** ② **A** ③ **30** ④ **F** ⑤ **-□** ⑥ **-□**



Example recommended EMI/EMC filter
NAC-04-472



High voltage pulse noise type : NAP series
Low leakage current type : NAM series
* A higher current rating EMI/EMC filter may be recommended in view of the other devices that could be connected in parallel with the power supply.

- ① Series name
- ② Single output
- ③ Output wattage
- ④ Universal input
- ⑤ Output voltage
- ⑥ Optional *7
C : with Coating
J : Connector interface
T : Vertical terminal block
-N□ : with DIN rail

See 5.1 in Instruction Manual.

*Make sure necessary tests will be carried out on your end equipment with the power supply installed in accordance with any required EMC/EMI regulations.

SPECIFICATIONS

MODEL		PLA30F-5	PLA30F-12	PLA30F-15	PLA30F-24	
INPUT	VOLTAGE[V]	AC85 - 264 1 φ (Output derating is required at AC85V - 115V. See 1.1 and 3.2 in Instruction Manual) *3				
	CURRENT[A]	ACIN 100V	0.7typ (Io=90%)			
		ACIN 115V	0.7typ (Io=100%)			
		ACIN 230V	0.4typ (Io=100%)			
	FREQUENCY[Hz]	50 / 60 (47 - 63)				
	EFFICIENCY[%]	ACIN 100V	73.0typ (Io=90%)	80.0typ (Io=90%)	81.0typ (Io=90%)	82.5typ (Io=90%)
		ACIN 115V	74.0typ (Io=100%)	80.5typ (Io=100%)	81.5typ (Io=100%)	83.0typ (Io=100%)
ACIN 230V		77.0typ (Io=100%)	81.0typ (Io=100%)	82.0typ (Io=100%)	83.5typ (Io=100%)	
INRUSH CURRENT[A]	ACIN 100V	16typ (Io=90%) Ta=25°C at cold start				
	ACIN 115V	16typ (Io=100%) Ta=25°C at cold start				
	ACIN 230V	32typ (Io=100%) Ta=25°C at cold start				
LEAKAGE CURRENT[ma]	0.65max (ACIN 115V / 240V, 60Hz, Io=100%, According to IEC60950-1 and DEN-AN)					
OUTPUT	VOLTAGE[V]	5	12	15	24	
	CURRENT[A]	6	2.5	2	1.3	
	WATTAGE[W]	ACIN 85-115V	Output derating is required at ACIN 115V or less (refer to instruction manual 3.2)			
		ACIN 115V-264V	30.0	30.0	30.0	31.2
	LINE REGULATION[mV] *4	20max	48max	60max	96max	
	LOAD REGULATION[mV] *4	40max	100max	120max	150max	
	RIPPLE[mVp-p] *1	0 to +50°C	80max	120max	120max	120max
		-10 to 0°C	140max	160max	160max	160max
	RIPPLE NOISE[mVp-p] *1	0 to +50°C	120max	150max	150max	150max
		-10 to 0°C	160max	180max	180max	180max
	TEMPERATURE REGULATION[mV]	0 to +50°C	50max	120max	150max	240max
		-10 to +50°C	60max	150max	180max	290max
	DRIFT[mV] *2	20max	48max	60max	96max	
	START-UP TIME[ms]	150typ (ACIN 115V, Io=100%)				
HOLD-UP TIME[ms]	20typ (ACIN 115V, Io=100%)					
OUTPUT VOLTAGE ADJUSTMENT RANGE[V]	4.50 to 5.50	10.80 to 13.20	13.50 to 16.50	21.60 to 26.40		
OUTPUT VOLTAGE SETTING[V]	5.00 to 5.15	12.00 to 12.48	15.00 to 15.60	24.00 to 24.96		
PROTECTION CIRCUIT AND OTHERS	OVERCURRENT PROTECTION	Works over 105% of rating and recovers automatically				
	OVERVOLTAGE PROTECTION[V]	5.75 to 7.00	13.80 to 16.80	17.25 to 21.00	27.60 to 33.60	
	OPERATING INDICATION	LED (Green)				
	REMOTE SENSING	Not provided				
ISOLATION	REMOTE ON/OFF	Not provided				
	INPUT-OUTPUT	AC3,000V 1minute, Cutoff current = 10mA, DC500V 50MΩ min (At room temperature)				
	INPUT-FG	AC2,000V 1minute, Cutoff current = 10mA, DC500V 50MΩ min (At room temperature)				
OUTPUT-FG	AC500V 1minute, Cutoff current = 25mA, DC500V 50MΩ min (At room temperature)					
ENVIRONMENT	OPERATING TEMP., HUMID. AND ALTITUDE *5	-20 to +70°C, 20 - 90%RH (Non condensing), 3,000m (10,000 feet) max				
	STORAGE TEMP., HUMID. AND ALTITUDE	-20 to +75°C, 20 - 90%RH (Non condensing), 9,000m (30,000 feet) max				
	VIBRATION	10 - 55Hz, 19.6m/s ² (2G), 3minutes period, 60minutes each along X, Y and Z axes				
	IMPACT	196.1m/s ² (20G), 11ms, once each X, Y and Z axes				
SAFETY AND NOISE REGULATIONS	AGENCY APPROVALS	UL60950-1, C-UL (CSA60950-1), EN60950-1, EN50178, UL508 (Except option -J) Complies with DEN-AN				
	CONDUCTED NOISE	Complies with FCC-B, VCCI-B, CISPR22-B, EN55011-B, EN55022-B				
	HARMONIC ATTENUATOR *8	Complies with IEC61000-3-2 class A				

SPECIFICATIONS

OTHERS	CASE SIZE/WEIGHT	38 × 80 × 88mm [1.50 × 3.15 × 3.46 inches] (Excluding terminal block and screw) (W×H×D) / 330g max
	COOLING METHOD	Convection
WARRANTY	WARRANTY	*6 5 years (subject to the operating conditions)

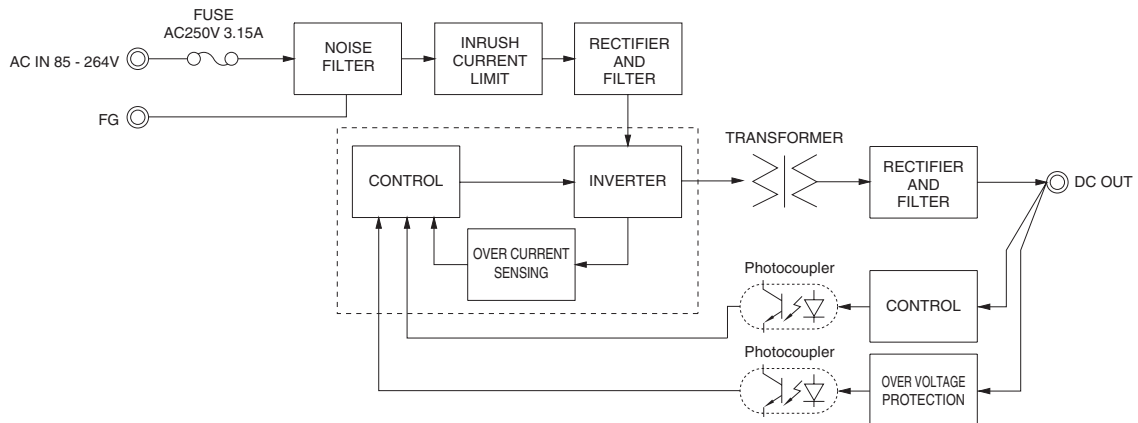
- *1 This is the result of measurement of the testing board with capacitors of 22 μF and 0.1 μF placed at 150 mm from the output terminals by a 20 MHz oscilloscope or a ripple-noise meter equivalent to Keisoku-Giken RM103.
See 1.6 of Instruction Manual for more details.
- *2 Drift is the change in DC output for an eight hour period after a half-hour warm-up at 25°C.
- *3 As for DC input, consult us for advice.
- *4 Consult us about dynamic load and input response.
- *5 Output power derating is required. See 3.2 in Instruction Manual.
- *6 See 3.3 in Instruction Manual for more details.

- *7 Consult us about safety agency approvals for the models with optional functions.
- *8 Consult us about other classes.
- * Do not use the power supply in overcurrent conditions or in unspecified input voltage ranges. Otherwise the internal components may be damaged.
- * Parallel operation is not possible with this mode.
- * Sound noise may be heard from the power supply when used for pulse load.

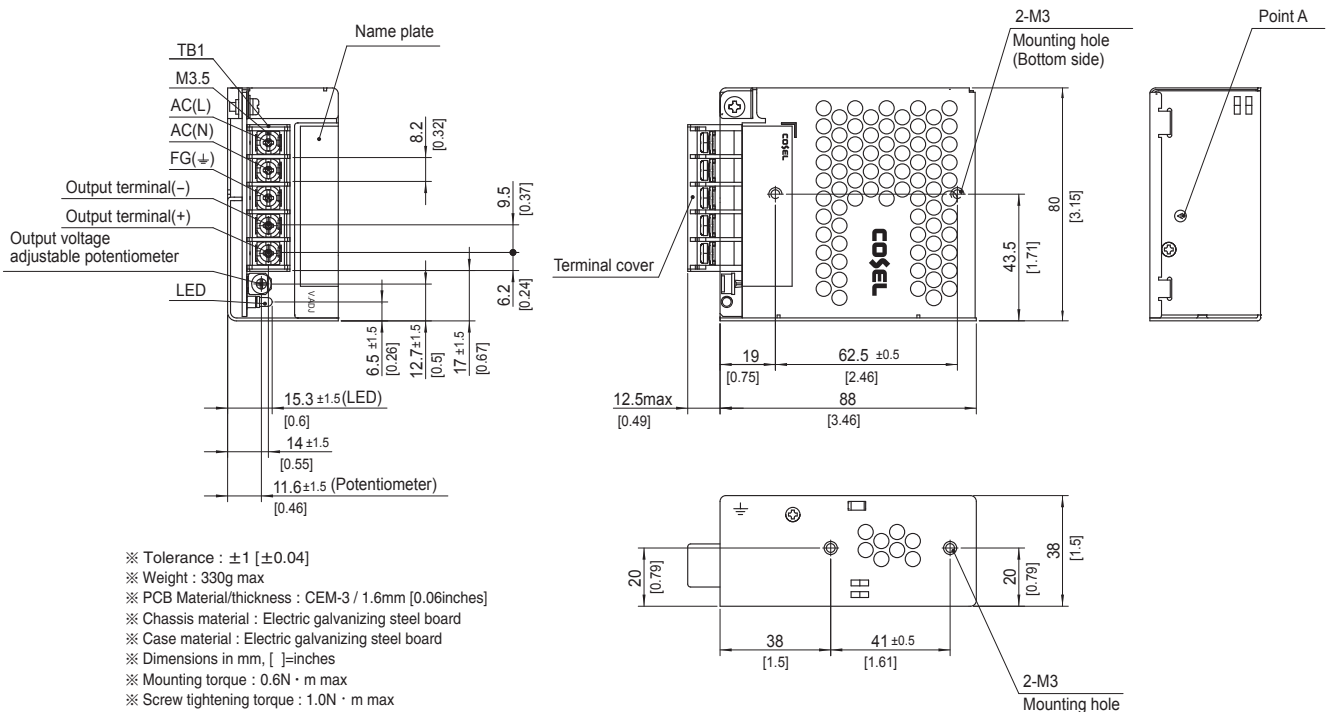
Features

- Compact design (Depth: 88mm 3.46inches)
- UL508 approved (Except option -J), and complies with SEMI F47
- Various connection interface options (vertical terminal [-T], AMP connector [-J])

Block diagram

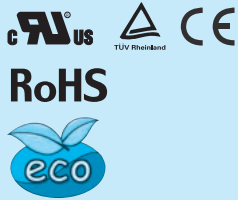


External view



PLA50F

① **PL** ② **A** ③ **50** ④ **F** ⑤ **-□** ⑥ **-□**



Example recommended EMI/EMC filter
NAC-04-472



High voltage pulse noise type : NAP series
Low leakage current type : NAM series
* A higher current rating EMI/EMC filter may be recommended in view of the other devices that could be connected in parallel with the power supply.

- ① Series name
- ② Single output
- ③ Output wattage
- ④ Universal input
- ⑤ Output voltage
- ⑥ Optional *7
C : with Coating
J : Connector interface
T : Vertical terminal block
-N□ : with DIN rail

See 5.1 in Instruction Manual.

*Make sure necessary tests will be carried out on your end equipment with the power supply installed in accordance with any required EMC/EMI regulations.

SPECIFICATIONS

MODEL		PLA50F-5	PLA50F-12	PLA50F-15	PLA50F-24
VOLTAGE[V]		AC85 - 264 1 φ (Output derating is required at AC85V - 115V. See 1.1 and 3.2 in Instruction Manual) *3			
CURRENT[A]	ACIN 100V	0.6typ (Io=90%)	0.7typ (Io=90%)		
	ACIN 115V	0.6typ (Io=100%)	0.7typ (Io=100%)		
	ACIN 230V	0.3typ (Io=100%)	0.4typ (Io=100%)		
FREQUENCY[Hz]		50 / 60 (47 - 63)			
EFFICIENCY[%]	ACIN 100V	74.5typ (Io=90%)	80.0typ (Io=90%)	80.0typ (Io=90%)	81.5typ (Io=90%)
	ACIN 115V	75.0typ (Io=100%)	80.5typ (Io=100%)	80.5typ (Io=100%)	82.0typ (Io=100%)
	ACIN 230V	76.5typ (Io=100%)	82.0typ (Io=100%)	82.0typ (Io=100%)	84.0typ (Io=100%)
POWER FACTOR	ACIN 100V	0.97typ (Io=90%)	0.98typ (Io=90%)		
	ACIN 115V	0.97typ (Io=100%)	0.98typ (Io=100%)		
	ACIN 230V	0.85typ (Io=100%)	0.87typ (Io=100%)		
INRUSH CURRENT[A]	ACIN 100V	16typ (Io=90%) Ta=25°C at cold start			
	ACIN 115V	16typ (Io=100%) Ta=25°C at cold start			
	ACIN 230V	32typ (Io=100%) Ta=25°C at cold start			
LEAKAGE CURRENT[ma]		0.75max (ACIN 115V / 240V, 60Hz, Io=100%, According to IEC60950-1 and DEN-AN)			
VOLTAGE[V]		5	12	15	24
CURRENT[A]		8	4.3	3.5	2.2
WATTAGE[W]	ACIN 85-115V	Output derating is required at ACIN 115V or less (refer to instruction manual 3.2)			
	ACIN 115V-264V	40.0	51.6	52.5	52.8
LINE REGULATION[mV] *4		20max	48max	60max	96max
LOAD REGULATION[mV] *4		40max	100max	120max	150max
RIPPLE[mVp-p] *1	0 to +45°C	80max	120max	120max	120max
	-10 to 0°C	140max	160max	160max	160max
RIPPLE NOISE[mVp-p] *1	0 to +45°C	120max	150max	150max	150max
	-10 to 0°C	160max	180max	180max	180max
TEMPERATURE REGULATION[mV]	0 to +45°C	50max	120max	150max	240max
	-10 to +45°C	60max	150max	180max	290max
DRIFT[mV] *2		20max	48max	60max	96max
START-UP TIME[ms]		350typ (ACIN 115V, Io=100%)			
HOLD-UP TIME[ms]		20typ (ACIN 115V, Io=100%)			
OUTPUT VOLTAGE ADJUSTMENT RANGE[V]		4.50 to 5.50	10.80 to 13.20	13.50 to 16.50	21.60 to 26.40
OUTPUT VOLTAGE SETTING[V]		5.00 to 5.15	12.00 to 12.48	15.00 to 15.60	24.00 to 24.96
OVERCURRENT PROTECTION		Works over 105% of rating and recovers automatically			
OVERVOLTAGE PROTECTION[V]		5.75 to 7.00	13.80 to 16.80	17.25 to 21.00	27.60 to 33.60
OPERATING INDICATION		LED (Green)			
REMOTE SENSING		Not provided			
REMOTE ON/OFF		Not provided			
INPUT-OUTPUT		AC3,000V 1minute, Cutoff current = 10mA, DC500V 50MΩ min (At room temperature)			
INPUT-FG		AC2,000V 1minute, Cutoff current = 10mA, DC500V 50MΩ min (At room temperature)			
OUTPUT-FG		AC500V 1minute, Cutoff current = 25mA, DC500V 50MΩ min (At room temperature)			
OPERATING TEMP., HUMID. AND ALTITUDE *5		-20 to +70°C, 20 - 90%RH (Non condensing), 3,000m (10,000 feet) max			
STORAGE TEMP., HUMID. AND ALTITUDE		-20 to +75°C, 20 - 90%RH (Non condensing), 9,000m (30,000 feet) max			
VIBRATION		10 - 55Hz, 19.6m/s ² (2G), 3minutes period, 60minutes each along X, Y and Z axes			
IMPACT		196.1m/s ² (20G), 11ms, once each X, Y and Z axes			
SAFETY AND NOISE REGULATIONS		AGENCY APPROVALS UL60950-1, C-UL (CSA60950-1), EN60950-1, EN50178, UL508 (Except option -J) Complies with DEN-AN			
		CONDUCTED NOISE Complies with FCC-B, VCCI-B, CISPR22-B, EN55011-B, EN55022-B			
		HARMONIC ATTENUATOR *8 Complies with IEC61000-3-2 class A			

SPECIFICATIONS

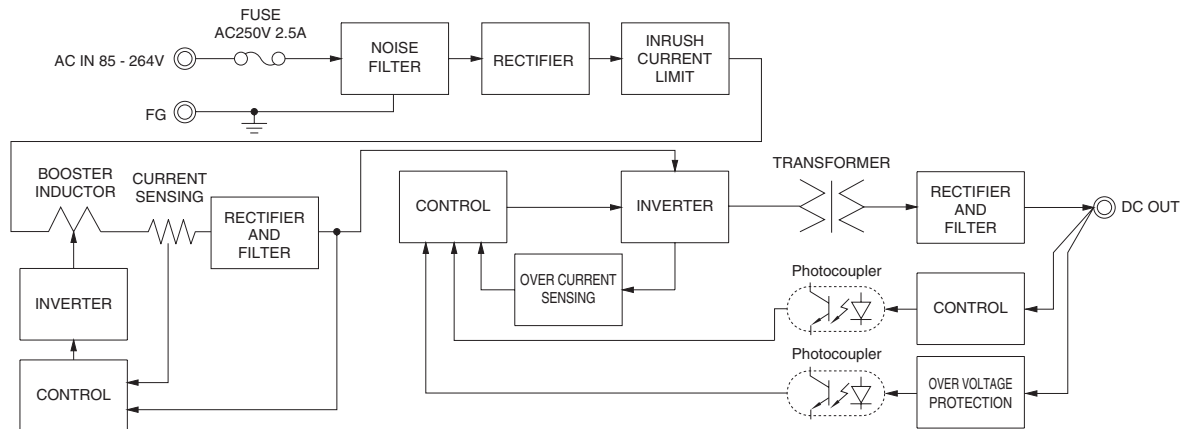
OTHERS	CASE SIZE/WEIGHT	38×80×99mm [1.50×3.15×3.90 inches] (Excluding terminal block and screw) (W×H×D) / 400g max
	COOLING METHOD	Convection
WARRANTY	WARRANTY	*6 5 years (subject to the operating conditions)

- *1 This is the result of measurement of the testing board with capacitors of 22 μ F and 0.1 μ F placed at 150 mm from the output terminals by a 20 MHz oscilloscope or a ripple-noise meter equivalent to Keisoku-Giken RM103.
See 1.6 of Instruction Manual for more details.
- *2 Drift is the change in DC output for an eight hour period after a half-hour warm-up at 25°C.
- *3 As for DC input, consult us for advice.
- *4 Consult us about dynamic load and input response.
- *5 Output power derating is required. See 3.2 in Instruction Manual.
- *6 See 3.3 in Instruction Manual for more details.
- *7 Consult us about safety agency approvals for the models with optional functions.
- *8 Consult us about other classes.
- * Do not use the power supply in overcurrent conditions or in unspecified input voltage ranges. Otherwise the internal components may be damaged.
- * Parallel operation is not possible with this mode.
- * Sound noise may be heard from the power supply when used for pulse load.

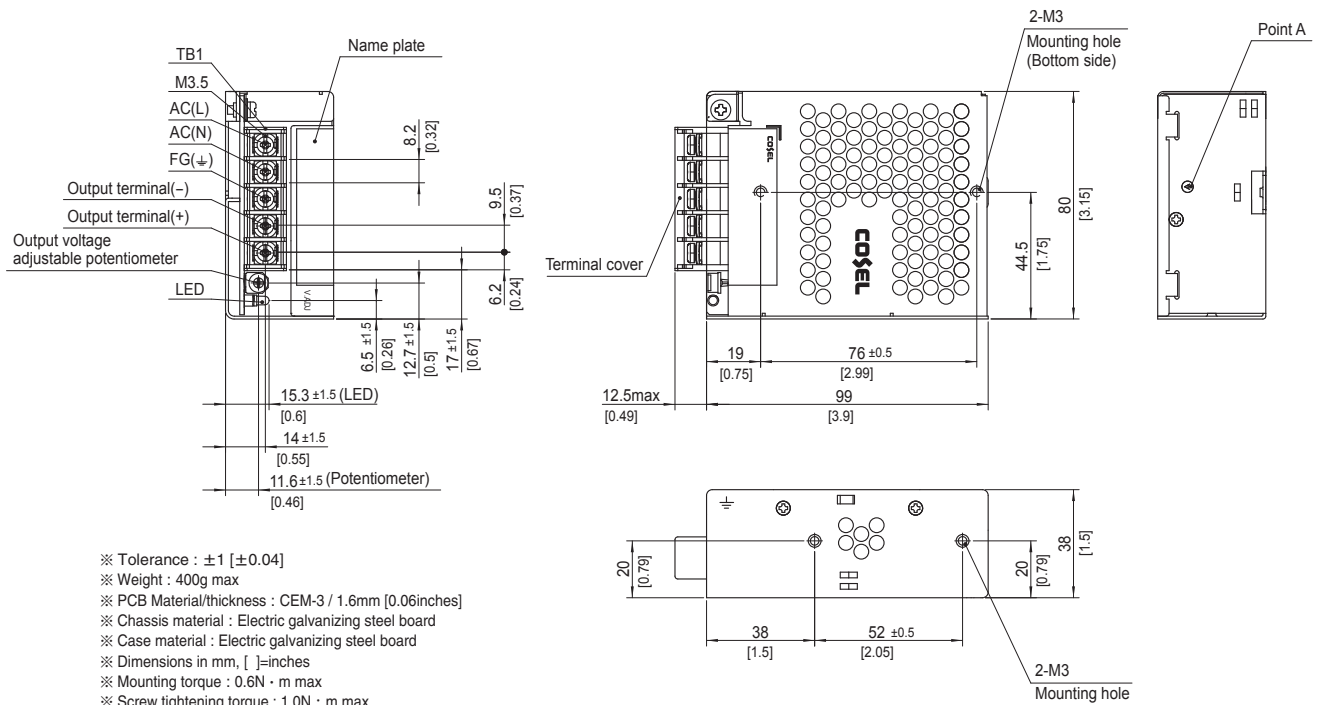
Features

- Compact design (Depth: 99mm 3.90inches)
- UL508 approved (Except option -J), and complies with SEMI F47
- Various connection interface options (vertical terminal [-T], AMP connector [-J])

Block diagram



External view



PLA100F

PL A 100 F -□ -□

① ② ③ ④ ⑤ ⑥



Example recommended EMI/EMC filter
NAC-04-472



High voltage pulse noise type : NAP series
Low leakage current type : NAM series
* A higher current rating EMI/EMC filter may be recommended in view of the other devices that could be connected in parallel with the power supply.

- ① Series name
- ② Single output
- ③ Output wattage
- ④ Universal input
- ⑤ Output voltage
- ⑥ Optional *7
- C : with Coating
- R : Remote on/off (Required external power source)
- J : Connector interface
- N : Vertical terminal block
- N□ : with DIN rail

See 5.1 in Instruction Manual.

*Make sure necessary tests will be carried out on your end equipment with the power supply installed in accordance with any required EMC/EMI regulations.

SPECIFICATIONS

* Please consider "PBA100F-5-N" about 5V output with case cover.

MODEL		PLA100F-12	PLA100F-15	PLA100F-24	PLA100F-36	PLA100F-48
VOLTAGE[V]		AC85 - 264 1 φ (Output derating is required at AC85V - 115V. See 1.1 and 3.2 in Instruction Manual) *3				
CURRENT[A]	ACIN 100V	1.2typ (Io=90%)				
	ACIN 115V	1.1typ (Io=100%)				
	ACIN 230V	0.6typ (Io=100%)				
FREQUENCY[Hz]		50 / 60 (47 - 63)				
EFFICIENCY[%]	ACIN 100V	82typ (Io=90%)	83typ (Io=90%)	85typ (Io=90%)	86typ (Io=90%)	86typ (Io=90%)
	ACIN 115V	82typ (Io=100%)	83typ (Io=100%)	85typ (Io=100%)	86typ (Io=100%)	86typ (Io=100%)
	ACIN 230V	85typ (Io=100%)	86typ (Io=100%)	88typ (Io=100%)	89typ (Io=100%)	89typ (Io=100%)
POWER FACTOR	ACIN 100V	0.98typ (Io=90%)				
	ACIN 115V	0.98typ (Io=100%)				
	ACIN 230V	0.95typ (Io=100%) * Power factor correction is stopped at AC250V or more.				
INRUSH CURRENT[A]	ACIN 100V	16typ (Io=90%) Ta=25°C at cold start				
	ACIN 115V	16typ (Io=100%) Ta=25°C at cold start				
	ACIN 230V	32typ (Io=100%) Ta=25°C at cold start				
LEAKAGE CURRENT[ma]		0.75max (ACIN 115V / 240V, 60Hz, Io=100%, According to IEC60950-1 and DEN-AN)				
VOLTAGE[V]		12	15	24	36	48
CURRENT[A]	ACIN 85-115V	Output derating is required at ACIN 115V or less (refer to instruction manual 3.2)				
	ACIN 115V-264V	8.4	6.7	4.3	2.8	2.1
WATTAGE[W]	ACIN 85-115V	Output derating is required at ACIN 115V or less (refer to instruction manual 3.2)				
	ACIN 115V-264V	100.8	100.5	103.2	100.8	100.8
LINE REGULATION[mV] *4		48max	60max	96max	144max	192max
LOAD REGULATION [mV] *4	Io=30 to 100%	100max	120max	150max	150max	300max
	Io=0 to 30%	Burst operation (Please contact us about detail)				
RIPPLE[mVp-p] *1	0 to +40°C	120max	120max	120max	150max	150max
	-10 to 0°C	160max	160max	160max	200max	400max
	Io: load factor	500max	500max	500max	500max	500max
RIPPLE NOISE[mVp-p] *1	0 to +40°C	150max	150max	150max	200max	200max
	-10 to 0°C	180max	180max	180max	240max	500max
	Io: load factor	600max	600max	600max	600max	600max
TEMPERATURE REGULATION[mV]	0 to +40°C	120max	150max	240max	360max	480max
	-10 to +40°C	180max	180max	290max	440max	600max
DRIFT[mV] *2		48max	60max	96max	144max	192max
START-UP TIME[ms]		500typ (ACIN 115V, Io=100%) Ta=25°C				
HOLD-UP TIME[ms]		20typ (ACIN 115V, Io=100%)				
OUTPUT VOLTAGE ADJUSTMENT RANGE[V]		10.80 to 13.20	13.50 to 16.50	21.60 to 26.40	32.40 to 39.60	43.20 to 52.80
OUTPUT VOLTAGE SETTING[V]		12.00 to 12.48	15.00 to 15.60	24.00 to 24.96	36.00 to 37.44	48.00 to 49.92
PROTECTION CIRCUIT AND OTHERS	OVERCURRENT PROTECTION	Works over 105% of rating and recovers automatically				
	OVERVOLTAGE PROTECTION[V]	13.80 to 16.80	17.25 to 21.00	27.60 to 33.60	41.40 to 50.40	54.00 to 67.20
	OPERATING INDICATION	LED (Green)				
	REMOTE SENSING	Not provided				
REMOTE ON/OFF		Optional (Required external power source. Option -R)				
ISOLATION	INPUT-OUTPUT • RC *9	AC3,000V 1minute, Cutoff current = 10mA, DC500V 50MΩ min (At room temperature)				
	INPUT-FG	AC2,000V 1minute, Cutoff current = 10mA, DC500V 50MΩ min (At room temperature)				
	OUTPUT • RC-FG *9	AC500V 1minute, Cutoff current = 100mA, DC500V 50MΩ min (At room temperature)				
	OUTPUT-RC *9	AC500V 1minute, Cutoff current = 100mA, DC500V 50MΩ min (At room temperature)				
ENVIRONMENT	OPERATING TEMP., HUMID. AND ALTITUDE *5	-20 to +70°C (Output derating is required), 20 - 90%RH (Non condensing), 3,000m (10,000 feet) max				
	STORAGE TEMP., HUMID. AND ALTITUDE	-20 to +75°C, 20 - 90%RH (Non condensing), 9,000m (30,000 feet) max				
	VIBRATION	10 - 55Hz, 19.6m/s ² (2G), 3minutes period, 60minutes each along X, Y and Z axes				
	IMPACT	196.1m/s ² (20G), 11ms, once each X, Y and Z axes				
SAFETY AND NOISE REGULATIONS	AGENCY APPROVALS	UL60950-1, C-UL (CSA60950-1), EN60950-1, EN50178, UL508 (Except option -J) Complies with DEN-AN				
	CONDUCTED NOISE	Complies with FCC-B, VCCI-B, CISPR22-B, EN55011-B, EN55022-B				
	HARMONIC ATTENUATOR *8	Complies with IEC61000-3-2 class A				

SPECIFICATIONS

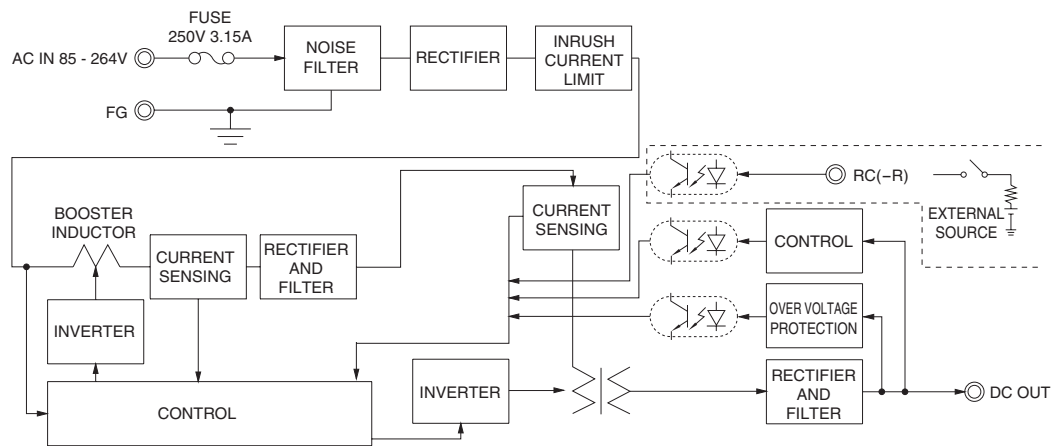
OTHERS	CASE SIZE/WEIGHT	41 X 97 X 109mm [1.61 X 3.82 X 4.29 inches] (Excluding terminal block and screw) (W X H X D) / 500g max
	COOLING METHOD	Convection
WARRANTY	WARRANTY	*6 5 years (subject to the operating conditions)

- *1 This is the result of measurement of the testing board with capacitors of 22 μF and 0.1 μF placed at 150 mm from the output terminals by a 20 MHz oscilloscope or a ripple-noise meter equivalent to Keisoku-Giken RM103. See 1.6 of Instruction Manual for more details. When the load factor is 0 - 30%, the switching power loss is reduced by burst operation, which will cause ripple and ripple noise to go beyond the specifications.
- *2 Drift is the change in DC output for an eight hour period after a half-hour warm-up at 25°C.
- *3 As for DC input, consult us for advice.
- *4 Consult us about dynamic load and input response. Measure the output voltage by using the average mode of the tester to deal with the burst operation at 30% load or less.
- *5 Output power derating is required. See 3.2 in Instruction Manual.
- *6 See 3.3 in Instruction Manual for more details.
- *7 Consult us about safety agency approvals for the models with optional functions.
- *8 Consult us about other classes.
- *9 The RC terminal is added to option -R models. The RC terminal is isolated from input, output, and FG.
- * Do not use the power supply in overcurrent conditions or in unspecified input voltage ranges. Otherwise the internal components may be damaged.
- * Parallel operation is not possible with this mode.
- * Sound noise may be heard from the power supply when used for pulse load.

Features

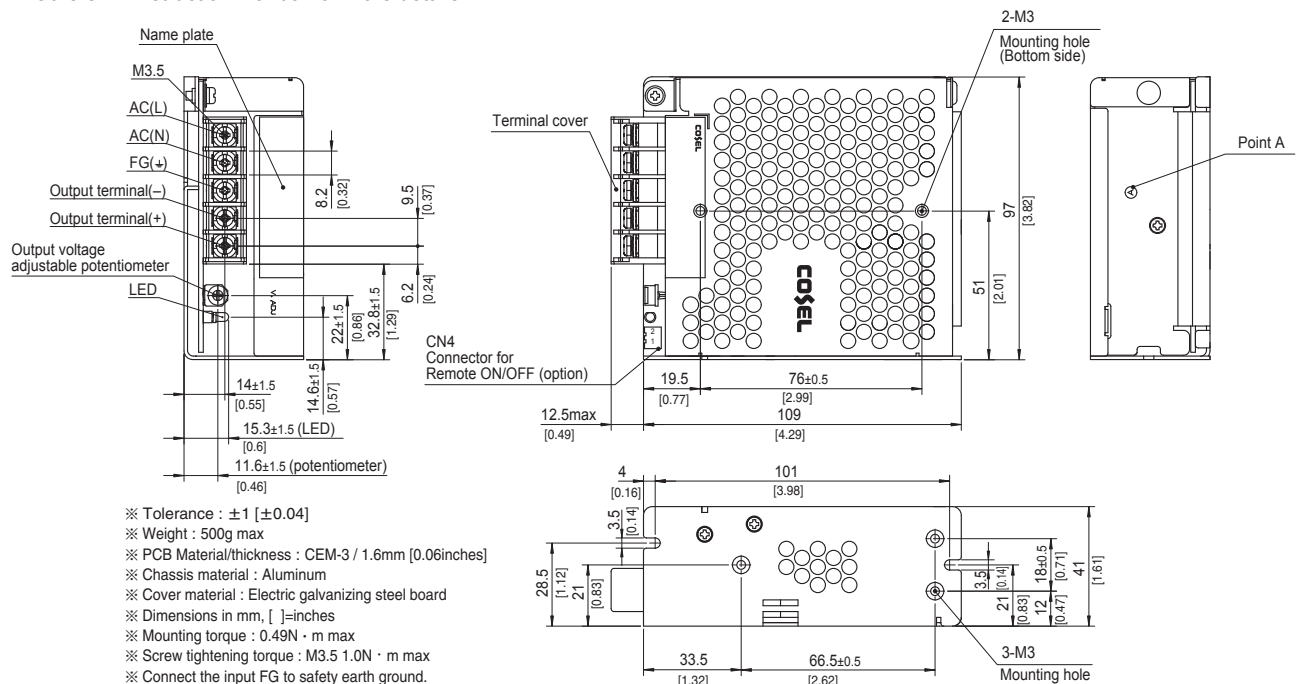
- Compact design (Depth: 109mm 4.29inches)
- High efficiency (88%typ PLA100F-24, AC230Vin, 100% load)
- Low power consumption (1.5W typ AC240Vin, no load at standard model)
- UL508 approved (Except option -J), and complies with SEMI F47 (see instruction manual 1.1)
- Various connection interface options (vertical terminal [-T], AMP connector [-J])

Block diagram



External view

The external size of -R option, -J option, -N1 option and -T option models is different from the standard model. See "5. Options and Others" in Instruction Manual for more details.



PLA150F

PL A 150 F -□ -□

① ② ③ ④ ⑤ ⑥



Example recommended EMI/EMC filter
NAC-04-472



High voltage pulse noise type : NAP series
Low leakage current type : NAM series
* A higher current rating EMI/EMC filter may be recommended in view of the other devices that could be connected in parallel with the power supply.

- ① Series name
- ② Single output
- ③ Output wattage
- ④ Universal input
- ⑤ Output voltage
- ⑥ Optional *7
- C : with Coating
- R : Remote on/off (Required external power source)
- J : Connector interface
- T : Vertical terminal block
- N□ : with DIN rail

See 5.1 in Instruction Manual.

*Make sure necessary tests will be carried out on your end equipment with the power supply installed in accordance with any required EMC/EMI regulations.

SPECIFICATIONS

* Please consider "PBA150F-5-N" about 5V output with case cover.

MODEL		PLA150F-12	PLA150F-15	PLA150F-24	PLA150F-36	PLA150F-48
VOLTAGE[V]		AC85 - 264 1 φ (Output derating is required at AC85V - 115V. See 1.1 and 3.2 in Instruction Manual) *3				
CURRENT[A]	ACIN 100V	1.7typ (Io=90%)				
	ACIN 115V	1.6typ (Io=100%)				
	ACIN 230V	0.8typ (Io=100%)				
FREQUENCY[Hz]		50 / 60 (47 - 63)				
EFFICIENCY[%]	ACIN 100V	84typ (Io=90%)	84typ (Io=90%)	87typ (Io=90%)	87typ (Io=90%)	87typ (Io=90%)
	ACIN 115V	84typ (Io=100%)	84typ (Io=100%)	87typ (Io=100%)	87typ (Io=100%)	87typ (Io=100%)
	ACIN 230V	87typ (Io=100%)	87typ (Io=100%)	90typ (Io=100%)	90typ (Io=100%)	90typ (Io=100%)
POWER FACTOR	ACIN 100V	0.98typ (Io=90%)				
	ACIN 115V	0.98typ (Io=100%)				
	ACIN 230V	0.95typ (Io=100%) * Power factor correction is stopped at AC250V or more.				
INRUSH CURRENT[A]	ACIN 100V	16typ (Io=90%) Ta=25°C at cold start				
	ACIN 115V	16typ (Io=100%) Ta=25°C at cold start				
	ACIN 230V	32typ (Io=100%) Ta=25°C at cold start				
LEAKAGE CURRENT[ma]		0.75max (ACIN 115V / 240V, 60Hz, Io=100%, According to IEC60950-1 and DEN-AN)				
VOLTAGE[V]		12	15	24	36	48
CURRENT[A]	ACIN 85-115V	Output derating is required at ACIN 115V or less (refer to instruction manual 3.2)				
	ACIN 115V-264V	12.5	10	6.4	4.2	3.2
WATTAGE[W]	ACIN 85-115V	Output derating is required at ACIN 115V or less (refer to instruction manual 3.2)				
	ACIN 115V-264V	150.0	150.0	153.6	151.2	153.6
LINE REGULATION[mV] *4		48max	60max	96max	144max	192max
LOAD REGULATION [mV] *4	Io=30 to 100%	100max	120max	150max	150max	300max
	Io=0 to 30%	Burst operation (Please contact us about detail)				
RIPPLE[mVp-p] *1	0 to +40°C	120max	120max	120max	150max	150max
	-10 to 0°C	160max	160max	160max	200max	400max
	Io: load factor	500max	500max	500max	500max	500max
RIPPLE NOISE[mVp-p] *1	0 to +40°C	150max	150max	150max	200max	200max
	-10 to 0°C	180max	180max	180max	240max	500max
	Io: load factor	600max	600max	600max	600max	600max
TEMPERATURE REGULATION[mV]	0 to +40°C	120max	150max	240max	360max	480max
	-10 to +40°C	180max	180max	290max	440max	600max
DRIFT[mV] *2		48max	60max	96max	144max	192max
START-UP TIME[ms]		500typ (ACIN 115V, Io=100%) Ta=25°C				
HOLD-UP TIME[ms]		20typ (ACIN 115V, Io=100%)				
OUTPUT VOLTAGE ADJUSTMENT RANGE[V]		10.80 to 13.20	13.50 to 16.50	21.60 to 26.40	32.40 to 39.60	43.20 to 52.80
OUTPUT VOLTAGE SETTING[V]		12.00 to 12.48	15.00 to 15.60	24.00 to 24.96	36.00 to 37.44	48.00 to 49.92
PROTECTION CIRCUIT AND OTHERS	OVERCURRENT PROTECTION	Works over 105% of rating and recovers automatically				
	OVERVOLTAGE PROTECTION[V]	13.80 to 16.80	17.25 to 21.00	27.60 to 33.60	41.40 to 50.40	54.00 to 67.20
	OPERATING INDICATION	LED (Green)				
	REMOTE SENSING	Not provided				
REMOTE ON/OFF		Optional (Required external power source. Option -R)				
ISOLATION	INPUT-OUTPUT • RC *9	AC3,000V 1minute, Cutoff current = 10mA, DC500V 50MΩ min (At room temperature)				
	INPUT-FG	AC2,000V 1minute, Cutoff current = 10mA, DC500V 50MΩ min (At room temperature)				
	OUTPUT • RC-FG *9	AC500V 1minute, Cutoff current = 100mA, DC500V 50MΩ min (At room temperature)				
	OUTPUT-RC *9	AC500V 1minute, Cutoff current = 100mA, DC500V 50MΩ min (At room temperature)				
ENVIRONMENT	OPERATING TEMP., HUMID. AND ALTITUDE *5	-20 to +70°C (Output derating is required), 20 - 90%RH (Non condensing), 3,000m (10,000 feet) max				
	STORAGE TEMP., HUMID. AND ALTITUDE	-20 to +75°C, 20 - 90%RH (Non condensing), 9,000m (30,000 feet) max				
	VIBRATION	10 - 55Hz, 19.6m/s ² (2G), 3minutes period, 60minutes each along X, Y and Z axes				
	IMPACT	196.1m/s ² (20G), 11ms, once each X, Y and Z axes				
SAFETY AND NOISE REGULATIONS	AGENCY APPROVALS	UL60950-1, C-UL (CSA60950-1), EN60950-1, EN50178, UL508 (Except option -J) Complies with DEN-AN				
	CONDUCTED NOISE	Complies with FCC-B, VCCI-B, CISPR22-B, EN55011-B, EN55022-B				
	HARMONIC ATTENUATOR *8	Complies with IEC61000-3-2 class A				

SPECIFICATIONS

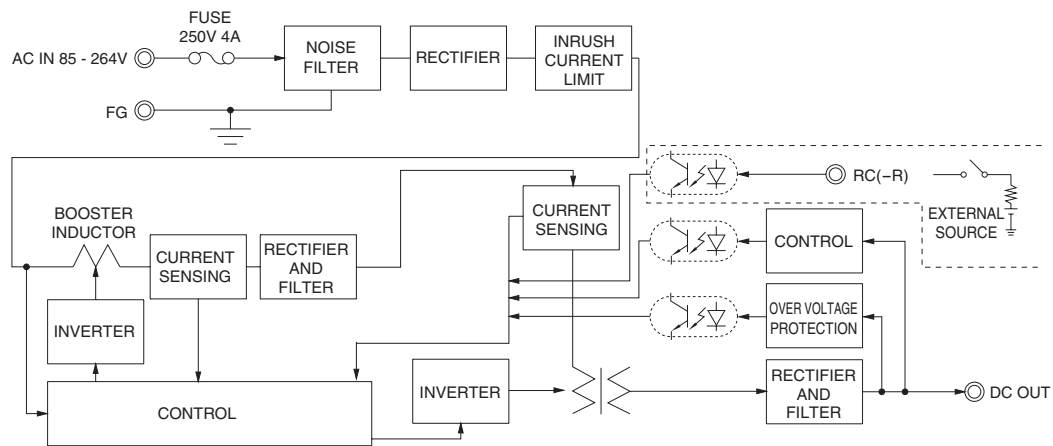
OTHERS	CASE SIZE/WEIGHT	41 X 97 X 129mm [1.61 X 3.82 X 5.08 inches] (Excluding terminal block and screw) (W×H×D) / 600g max
	COOLING METHOD	Convection
WARRANTY	WARRANTY	*6 5 years (subject to the operating conditions)

- *1 This is the result of measurement of the testing board with capacitors of 22 μF and 0.1 μF placed at 150 mm from the output terminals by a 20 MHz oscilloscope or a ripple-noise meter equivalent to Keisoku-Giken RM103. See 1.6 of Instruction Manual for more details. When the load factor is 0 - 30%, the switching power loss is reduced by burst operation, which will cause ripple and ripple noise to go beyond the specifications.
- *2 Drift is the change in DC output for an eight hour period after a half-hour warm-up at 25°C.
- *3 As for DC input, consult us for advice.
- *4 Consult us about dynamic load and input response. Measure the output voltage by using the average mode of the tester to deal with the burst operation at 30% load or less.
- *5 Output power derating is required. See 3.2 in Instruction Manual.
- *6 See 3.3 in Instruction Manual for more details.
- *7 Consult us about safety agency approvals for the models with optional functions.
- *8 Consult us about other classes.
- *9 The RC terminal is added to option -R models. The RC terminal is isolated from input, output, and FG.
- * Do not use the power supply in overcurrent conditions or in unspecified input voltage ranges. Otherwise the internal components may be damaged.
- * Parallel operation is not possible with this mode.
- * Sound noise may be heard from the power supply when used for pulse load.

Features

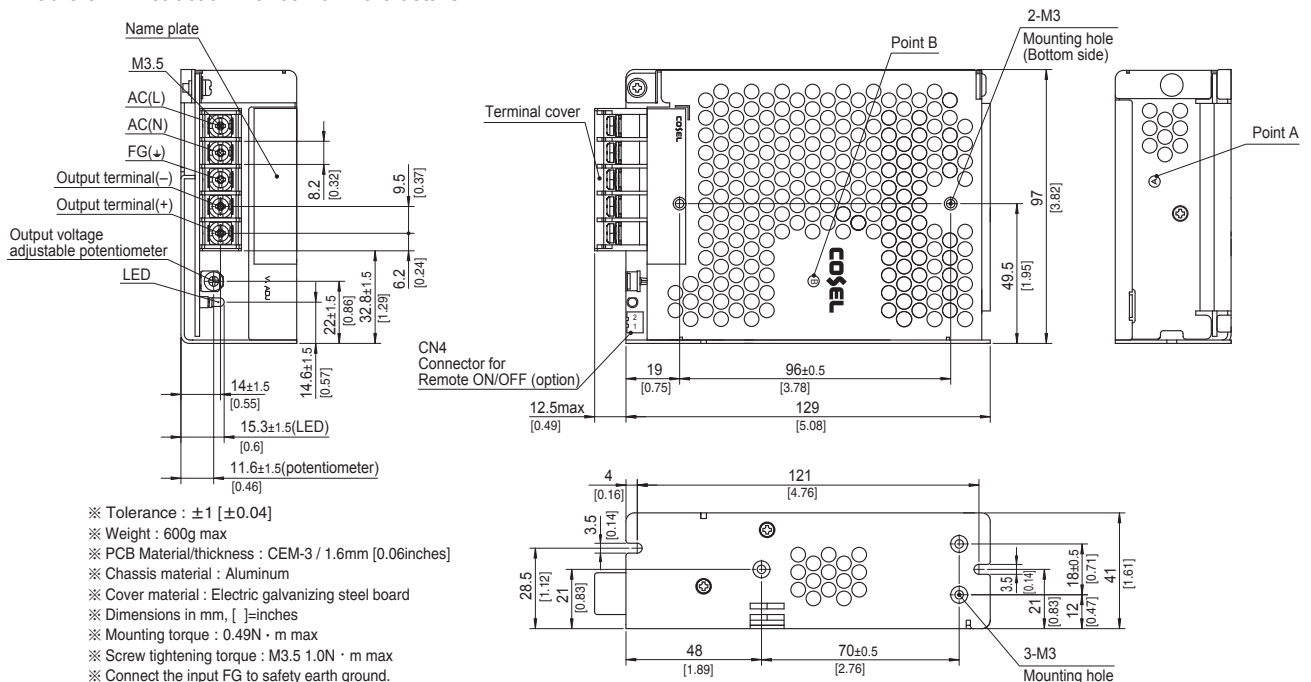
- Compact design (Depth: 129mm 5.08inches)
- High efficiency (90%typ PLA150F-24, AC230Vin, 100% load)
- Low power consumption (1.5W typ AC240Vin, no load at standard model)
- UL508 approved (Except option -J), and complies with SEMI F47 (see instruction manual 1.1)
- Various connection interface options (vertical terminal [-T], AMP connector [-J])

Block diagram



External view

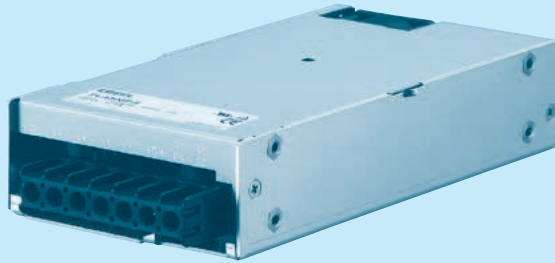
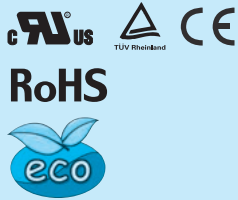
The external size of -R option, -J option, -N1 option and -T option models is different from the standard model. See "5. Options and Others" in Instruction Manual for more details.



- ※ Tolerance : ±1 [±0.04]
- ※ Weight : 600g max
- ※ PCB Material/thickness : CEM-3 / 1.6mm [0.06inches]
- ※ Chassis material : Aluminum
- ※ Cover material : Electric galvanizing steel board
- ※ Dimensions in mm, []=inches
- ※ Mounting torque : 0.49N · m max
- ※ Screw tightening torque : M3.5 1.0N · m max
- ※ Connect the input FG to safety earth ground.

PLA300F

PL A 300 F -□ -□
 ① ② ③ ④ ⑤ ⑥



Example recommended EMI/EMC filter
NAC-06-472



High voltage pulse noise type : NAP series
 Low leakage current type : NAM series
 * A higher current rating EMI/EMC filter may be recommended in view of the other devices that could be connected in parallel with the power supply.

- ① Series name
- ② Single output
- ③ Output wattage
- ④ Universal input
- ⑤ Output voltage
- ⑥ Optional *7
- C : with Coating
- G : Low leakage current
- V : External potentiometer for output voltage adjustment
- U : Low input voltage stop (Complies with SEMI F-47)
- R : Remote on/off (Required external power source)
- F4 : Low speed fan
- T2 : Horizontal terminal block (non-screw-hold type)

See 5.1 in Instruction Manual.

*Make sure necessary tests will be carried out on your end equipment with the power supply installed in accordance with any required EMC/EMI regulations.

SPECIFICATIONS

	MODEL	PLA300F-5	PLA300F-12	PLA300F-15	PLA300F-24	PLA300F-36	PLA300F-48	
INPUT	VOLTAGE[V]	AC85 - 264 1 φ (Output derating is required at AC85V - 115V. See 1.1 and 3.2 in Instruction Manual) *3						
	CURRENT[A]	ACIN 100V	3.1typ (Io=90%)	3.4typ (Io=90%)				
		ACIN 115V	3.0typ (Io=100%)	3.3typ (Io=100%)				
		ACIN 230V	1.5typ (Io=100%)	1.7typ (Io=100%)				
	FREQUENCY[Hz]	50 / 60 (47 - 63)						
	EFFICIENCY[%]	ACIN 100V	73typ (Io=90%)	78typ (Io=90%)	79typ (Io=90%)	81typ (Io=90%)	81typ (Io=90%)	82typ (Io=90%)
		ACIN 115V	74typ (Io=100%)	78typ (Io=100%)	80typ (Io=100%)	82typ (Io=100%)	82typ (Io=100%)	83typ (Io=100%)
		ACIN 230V	77typ (Io=100%)	81typ (Io=100%)	83typ (Io=100%)	86typ (Io=100%)	86typ (Io=100%)	86typ (Io=100%)
	POWER FACTOR	ACIN 100V	0.98typ (Io=90%)					
		ACIN 115V	0.98typ (Io=100%)					
ACIN 230V		0.95typ (Io=100%)						
INRUSH CURRENT[A]	ACIN 100V	20typ (Io=90%) Ta=25°C at cold start						
	ACIN 115V	20typ (Io=100%) Ta=25°C at cold start						
	ACIN 230V	40typ (Io=100%) Ta=25°C at cold start						
LEAKAGE CURRENT[ma]	0.75max (ACIN 115V / 240V, 60Hz, Io=100%, According to IEC60950-1 and DEN-AN)							
OUTPUT	VOLTAGE[V]	5	12	15	24	36	48	
	CURRENT[A]	ACIN 85-115V	Output derating is required at ACIN 115V or less (refer to instruction manual 3.2)					
		ACIN 115V-264V	50	25	20	12.5	8.4	6.3
	WATTAGE[W]	ACIN 85-115V	Output derating is required at ACIN 115V or less (refer to instruction manual 3.2)					
		ACIN 115V-264V	250	300	300	300	302.4	302.4
	LINE REGULATION[mV]	*4	20max	48max	60max	96max	144max	192max
	LOAD REGULATION[mV]	*4	40max	100max	120max	150max	150max	300max
	RIPPLE[mVp-p]	0 to +50°C	80max	120max	120max	120max	150max	150max
		-10 to 0°C	140max	160max	160max	160max	160max	400max
	RIPPLE NOISE[mVp-p]	0 to +50°C	120max	150max	150max	150max	200max	200max
		-10 to 0°C	160max	180max	180max	180max	240max	500max
	TEMPERATURE REGULATION[mV]	0 to +50°C	50max	120max	150max	240max	360max	480max
		-10 to +50°C	75max	180max	180max	290max	440max	600max
	DRIFT[mV]	*2	20max	48max	60max	96max	144max	192max
	START-UP TIME[ms]	300typ (ACIN 115V, Io=100%)						
HOLD-UP TIME[ms]	20typ (ACIN 115V, Io=100%)							
OUTPUT VOLTAGE ADJUSTMENT RANGE[V]	4.50 to 5.50		10.80 to 13.20	13.50 to 16.50	21.60 to 26.40	32.40 to 39.60	43.20 to 52.80	
OUTPUT VOLTAGE SETTING[V]	5.00 to 5.15		12.00 to 12.48	15.00 to 15.60	24.00 to 24.96	36.00 to 37.44	48.00 to 49.92	
PROTECTION CIRCUIT AND OTHERS	OVERCURRENT PROTECTION	Works over 105% of rating and recovers automatically						
	OVERVOLTAGE PROTECTION[V]	5.75 to 7.00	13.80 to 16.80	17.25 to 21.00	27.60 to 33.60	41.40 to 50.40	55.20 to 67.20	
	OPERATING INDICATION	LED (Green)						
	REMOTE SENSING	Not provided						
REMOTE ON/OFF	Optional (Required external power source. Option -R)							
ISOLATION	INPUT-OUTPUT • RC	*10	AC3,000V 1minute, Cutoff current = 10mA, DC500V 50MΩ min (At room temperature)					
	INPUT-FG	AC2,000V 1minute, Cutoff current = 10mA, DC500V 50MΩ min (At room temperature)						
	OUTPUT • RC-FG	*10	AC500V 1minute, Cutoff current = 100mA, DC500V 50MΩ min (At room temperature)					
	OUTPUT-RC	*10	AC500V 1minute, Cutoff current = 100mA, DC500V 50MΩ min (At room temperature)					
ENVIRONMENT	OPERATING TEMP., HUMID. AND ALTITUDE *5	-20 to +70°C (Output derating is required), 20 - 90%RH (Non condensing), 3,000m (10,000 feet) max						
	STORAGE TEMP., HUMID. AND ALTITUDE	-20 to +75°C, 20 - 90%RH (Non condensing), 9,000m (30,000 feet) max						
	VIBRATION	10 - 55Hz, 19.6m/s ² (2G), 3minutes period, 60minutes each along X, Y and Z axes						
SAFETY AND NOISE REGULATIONS	IMPACT	196.1m/s ² (20G), 11ms, once each X, Y and Z axes						
	AGENCY APPROVALS	UL60950-1, C-UL (CSA60950-1), EN60950-1, EN50178 Complies with DEN-AN						
	CONDUCTED NOISE	Complies with FCC-B, VCCI-B, CISPR22-B, EN55011-B, EN55022-B						
HARMONIC ATTENUATOR *9	Complies with IEC61000-3-2 class A							

SPECIFICATIONS

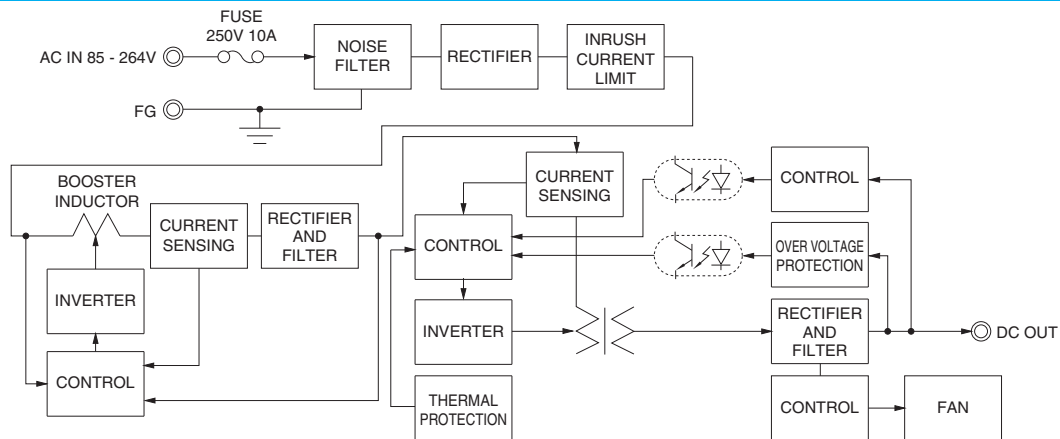
OTHERS	CASE SIZE/WEIGHT	102×41×190mm [4.02×1.61×7.48 inches] (Excluding terminal block and screw) (W×H×D) / 1.0kg max
	COOLING METHOD	*8 Forced cooling (internal fan)
WARRANTY	WARRANTY	*6 5 years (subject to the operating conditions)

- *1 This is the result of measurement of the testing board with capacitors of 22 μF and 0.1 μF placed at 150 mm from the output terminals by a 20 MHz oscilloscope or a ripple-noise meter equivalent to Keisoku-Giken RM103.
See 1.6 of Instruction Manual for more details.
- *2 Drift is the change in DC output for an eight hour period after a half-hour warm-up at 25°C.
- *3 Output power derating is required. As for DC input, consult us for advice.
- *4 Consult us about dynamic load and input response.
- *5 See 3.2 in Instruction Manual.
- *6 See 3.3 in Instruction Manual for more details.
- *7 Consult us about safety agency approvals for the models with optional functions.
- *8 The fan speed slows down at no load.
- *9 Consult us about other classes.
- *10 The RC terminal is added to option -R models. The RC terminal is isolated from input, output, and FG.
- * Do not use the power supply in overcurrent conditions or in unspecified input voltage ranges. Otherwise the internal components may be damaged.
- * Parallel operation is not possible with this mode.
- * Sound noise may be heard from the power supply when used for pulse load.

Features

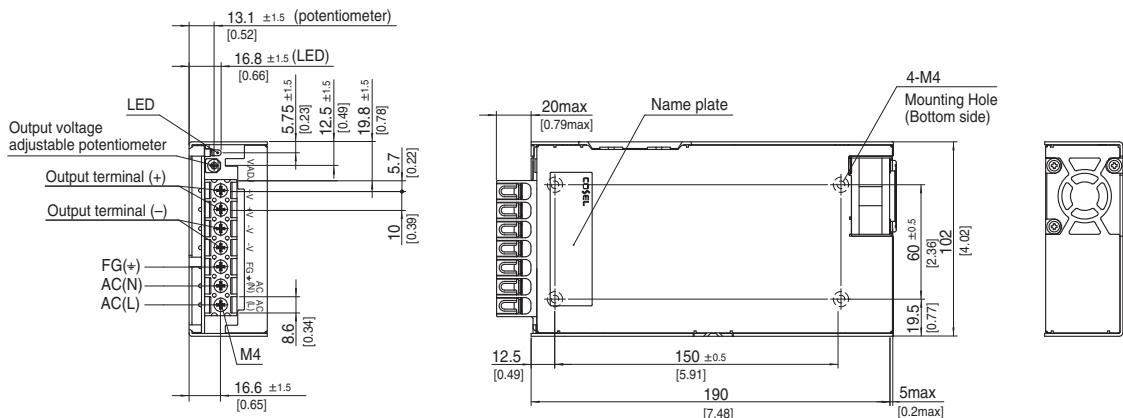
- Cost-effective
- Longer life (see Instruction Manual)
- Low profile (meets 1U height = 41 mm or 1.61 inches)
- Wide operating temperature range (-20°C to +70°C see instruction manual)
- Screw hold type terminal block
- Slow fan speed at no load
- Many optional functions
- Complies with SEMI F-47 (-U option, see Instruction Manual for details)

Block diagram

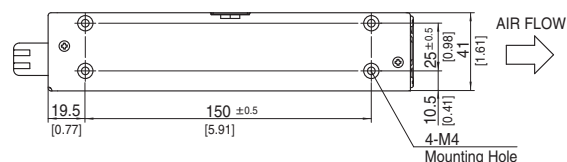


External view

The external size of -V option, -R option, and -T2 option models is different from the standard model. See "5. Options and Others" in Instruction Manual for more details.

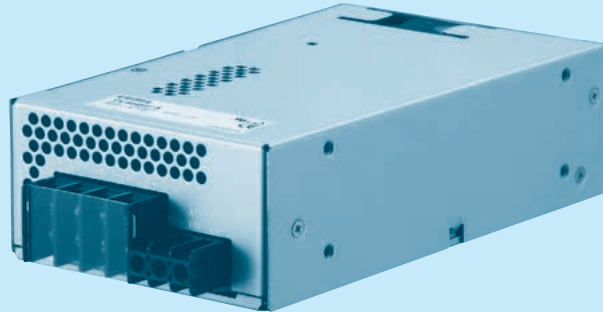
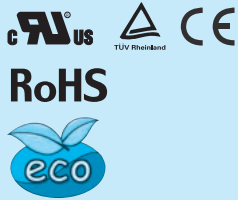


- ※ Tolerance : ±1 [±0.04]
- ※ Weight : 1.0kg max
- ※ PCB Material/thickness : CEM-3 / 1.6mm [0.06inches]
- ※ Chassis material : Aluminum
- ※ Case material : Electric galvanizing steel board
- ※ Dimensions in mm, []=inches
- ※ Mounting torque : 1.2N · m max
- ※ Screw tightening torque : 1.6N · m max
- ※ Connect the input FG to safety earth ground.



PLA600F

PL A 600 F -□ -□
 ① ② ③ ④ ⑤ ⑥



Example recommended EMI/EMC filter
NAC-16-472



High voltage pulse noise type : NAP series
 Low leakage current type : NAM series
 * A higher current rating EMI/EMC filter may be recommended in view of the other devices that could be connected in parallel with the power supply.

- ① Series name
- ② Single output
- ③ Output wattage
- ④ Universal input
- ⑤ Output voltage
- ⑥ Optional *7
- C : with Coating
- G : Low leakage current
- V : External potentiometer for output voltage adjustment
- U : Low input voltage stop (Complies with SEMI F-47)
- W: Parallel operation, LV alarm Remote sensing
- R : Remote on/off (Required external power source)
- F4: Low speed fan
- T2: Horizontal terminal block (non-screw-hold type)

See 5.1 in Instruction Manual.

*Make sure necessary tests will be carried out on your end equipment with the power supply installed in accordance with any required EMC/EMI regulations.
 *Please consider "PLA600F-5" about 5V output.

SPECIFICATIONS

	MODEL	PLA600F-12	PLA600F-15	PLA600F-24	PLA600F-36	PLA600F-48		
INPUT	VOLTAGE[V]	AC85 - 264 1 φ (Output derating is required at AC85V - 115V. See 1.1 and 3.2 in Instruction Manual) *4						
	CURRENT[A]	ACIN 100V	6.7typ (Io=90%)					
		ACIN 115V	6.5typ (Io=100%)					
		ACIN 230V	3.2typ (Io=100%)					
	FREQUENCY[Hz]	50 / 60 (47 - 63)						
	EFFICIENCY[%]	ACIN 100V	81typ (Io=90%)	81typ (Io=90%)	84typ (Io=90%)	85typ (Io=90%)	85typ (Io=90%)	
		ACIN 115V	81typ (Io=100%)	81typ (Io=100%)	84typ (Io=100%)	85typ (Io=100%)	85typ (Io=100%)	
		ACIN 230V	84typ (Io=100%)	84typ (Io=100%)	88typ (Io=100%)	88typ (Io=100%)	88typ (Io=100%)	
	POWER FACTOR	ACIN 100V	0.98typ (Io=90%)					
		ACIN 115V	0.98typ (Io=100%)					
ACIN 230V		0.95typ (Io=100%)						
INRUSH CURRENT[A]	ACIN 100V	20/40typ (Io=90%) (Primary inrush current /Secondary inrush current) (More than 3sec to re-start)						
	ACIN 115V	20/40typ (Io=100%) (Primary inrush current /Secondary inrush current) (More than 3sec to re-start)						
	ACIN 230V	40/40typ (Io=100%) (Primary inrush current /Secondary inrush current) (More than 3sec to re-start)						
LEAKAGE CURRENT[ma]	1.5max (ACIN 115V / 240V, 60Hz, Io=100%, According to IEC60950-1 and DEN-AN)							
OUTPUT	VOLTAGE[V]	12	15	24	36	48		
	CURRENT[A]	ACIN 85-115V	Output derating is required at ACIN 115V or less (refer to instruction manual 3.2)					
		ACIN 115V-264V	50	40	25	16.7	12.5	
	WATTAGE[W]	ACIN 85-115V	Output derating is required at ACIN 115V or less (refer to instruction manual 3.2)					
		ACIN 115V-264V	600	600	600	601.2	600	
	LINE REGULATION[mV]	*8	48max	60max	96max	144max	192max	
	LOAD REGULATION[mV]	*8	100max	120max	150max	150max	300max	
	RIPPLE[mVp-p]	*1	0 to +50°C	120max	120max	120max	150max	150max
			-20 to 0°C	160max	160max	160max	160max	400max
	RIPPLE NOISE[mVp-p]	*1	0 to +50°C	150max	150max	150max	200max	200max
			-20 to 0°C	180max	180max	180max	240max	500max
	TEMPERATURE REGULATION[mV]		0 to +50°C	120max	150max	240max	360max	480max
			-20 to +50°C	180max	180max	290max	440max	600max
	DRIFT[mV]	*2	48max	60max	96max	144max	192max	
	START-UP TIME[ms]		300typ (ACIN 115V, Io=100%)					
	HOLD-UP TIME[ms]		20typ (ACIN 115V, Io=100%)					
	OUTPUT VOLTAGE ADJUSTMENT RANGE[V]		10.80 to 13.20	13.50 to 16.50	21.60 to 26.40	32.40 to 39.60	43.20 to 52.80	
OUTPUT VOLTAGE SETTING[V]		12.00 to 12.48	15.00 to 15.60	24.00 to 24.96	36.00 to 37.44	48.00 to 49.92		
PROTECTION CIRCUIT AND OTHERS	OVERCURRENT PROTECTION	Works over 105% of rating and recovers automatically						
	OVERVOLTAGE PROTECTION[V]	13.80 to 16.80	17.25 to 21.00	27.60 to 33.60	41.40 to 50.40	55.20 to 67.20		
	OPERATING INDICATION	LED (Green)						
	REMOTE SENSING	Optional (Option -W)						
REMOTE ON/OFF	Optional (Required external power source. Option -R)							
ISOLATION	INPUT-OUTPUT • RC	*3	AC3,000V 1minute, Cutoff current = 10mA, DC500V 50MΩ min (At room temperature)					
	INPUT-FG		AC2,000V 1minute, Cutoff current = 10mA, DC500V 50MΩ min (At room temperature)					
	OUTPUT • RC-FG	*3	AC500V 1minute, Cutoff current = 100mA, DC500V 50MΩ min (At room temperature)					
	OUTPUT-RC	*3	AC500V 1minute, Cutoff current = 100mA, DC500V 50MΩ min (At room temperature)					
ENVIRONMENT	OPERATING TEMP., HUMID. AND ALTITUDE *5	-20 to +70°C (Output derating is required), 20 - 90%RH (Non condensing), 3,000m (10,000 feet) max						
	STORAGE TEMP., HUMID. AND ALTITUDE	-20 to +75°C, 20 - 90%RH (Non condensing), 9,000m (30,000 feet) max						
	VIBRATION	10 - 55Hz, 19.6m/s ² (2G), 3minutes period, 60minutes each along X, Y and Z axes						
	IMPACT	196.1m/s ² (20G), 11ms, once each X, Y and Z axes						
SAFETY AND NOISE REGULATIONS	AGENCY APPROVALS	UL60950-1, C-UL (CSA60950-1), EN60950-1, EN50178 Complies with DEN-AN						
	CONDUCTED NOISE	Complies with FCC-B, VCCI-B, CISPR22-B, EN55011-B, EN55022-B						
	HARMONIC ATTENUATOR *10	Complies with IEC61000-3-2 class A						

SPECIFICATIONS

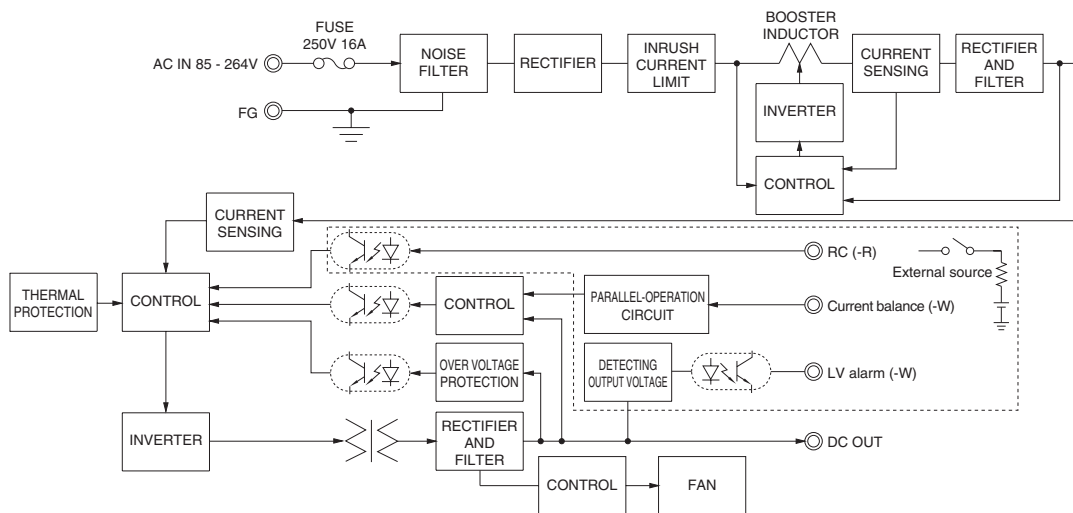
OTHERS	CASE SIZE/WEIGHT	120×61×215mm [4.72×2.40×8.46 inches] (Excluding terminal block and screw) (W×H×D) / 2.0kg max
	COOLING METHOD	*9 Forced cooling (internal fan)
WARRANTY	WARRANTY	*6 5 years (subject to the operating conditions)

- *1 This is the result of measurement of the testing board with capacitors of 22 μ F and 0.1 μ F placed at 150 mm from the output terminals by a 20 MHz oscilloscope or a ripple-noise meter equivalent to Keisoku-Giken RM103. See 1.6 of Instruction Manual for more details.
- *2 Drift is the change in DC output for an eight hour period after a half-hour warm-up at 25°C.
- *3 The RC terminal is added to option -R models. The RC terminal is isolated from input, output, and FG.
- *4 As for DC input, consult us for advice.
- *5 Output power derating is required. See 3.2 in Instruction Manual.
- *6 See 3.3 in Instruction Manual for more details.
- *7 Consult us about safety agency approvals for the models with optional functions.
- *8 Consult us about dynamic load and input response.
- *9 The fan speed slows down at no load.
- *10 Consult us about other classes.
- * Do not use the power supply in overcurrent conditions or in unspecified input voltage ranges. Otherwise the internal components may be damaged.
- * Parallel operation is allowed for PLA600F models with the -W option only.
- * Sound noise may be heard from the power supply when used for pulse load.

Features

- Cost-effective
- Longer life (see Instruction Manual)
- Low profile (meets 2U height = 61 mm or 2.40 inches)
- Wide operating temperature range (-20°C to +70°C see instruction manual)
- Screw hold type terminal block
- Slow fan speed at no load
- Many optional functions
- Complies with SEMI F-47 (-U option, see Instruction Manual for details)

Block diagram



External view

The external size of -V option, -W option, -R option, and -T2 option is different from the standard model. See "5. Options and Others" in Instruction Manual for more details.

