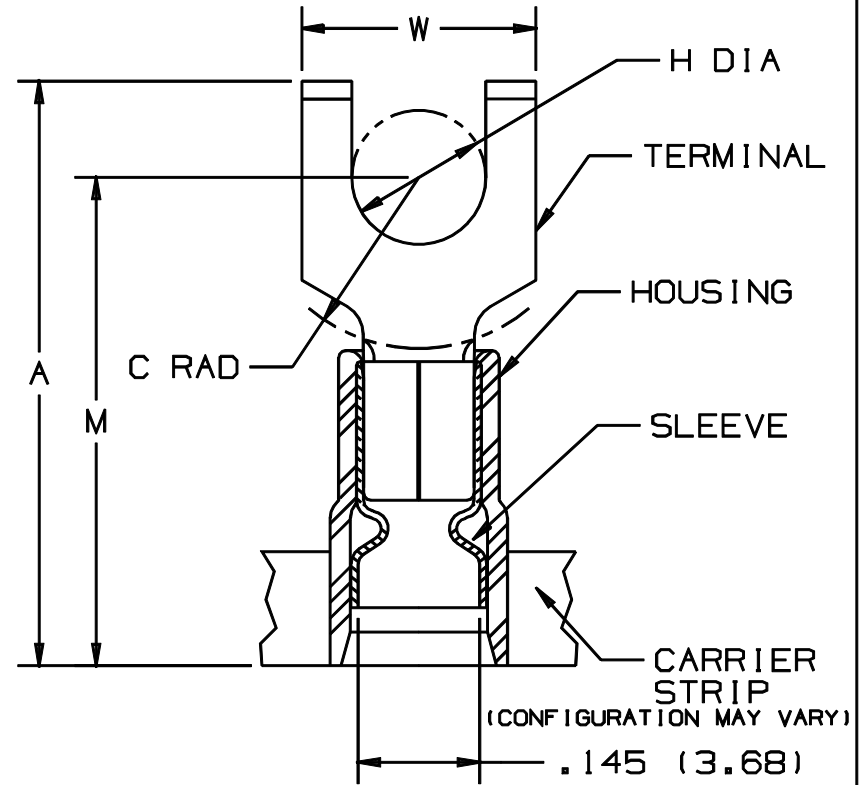


THIS COPY IS PROVIDED ON A RESTRICTED BASIS AND IS NOT TO BE USED IN ANY WAY DETRIMENTAL TO THE INTERESTS OF PANDUIT CORP.

PANDUIT PART NUMBER	STUD SIZE	DIMENSIONS in.				
		A ±.03	W ±.01	C ±.02	M ±.03	H ±.01
PNF18-6FF-3K	#6	.80 (20.32)	.28 (7.11)	.19 (4.83)	.64 (16.26)	.15 (3.81)
PNF18-8FF-3K	#8	.87 (22.10)	.31 (7.87)	.23 (5.84)	.68 (17.27)	.17 (4.32)
PNF18-10FF-3K	#10	.86 (21.84)	.35 (8.89)	.23 (5.84)	.68 (17.27)	.20 (5.08)

NOTES :

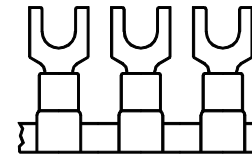
- UL LISTED AND CSA CERTIFIED FOR :
  - 600 V MAX. VOLTAGE RATING
  - 221°F (105°C) MAX. TEMP. RATING
  - #22-18 AWG (0.5-1.5 mm<sup>2</sup>) SOLID OR STRANDED, COPPER WIRE
- INSTALLATION TOOLS :
  - PRESSES - CP-851, CP-860, CP-861
  - APPLICATOR - CA-800
  - DIE INSERTS - CD-800-1
- PACKAGE QTY. : 3K = 3000 PCS.  
CONTINUOUS MOLDED CARRIER STRIP
- MATERIAL :
  - STAMPING - .03" (.8) THK COPPER, TIN PLATED
  - HOUSING - RED NYLON
  - SLEEVE - BRASS, TIN PLATED
- DIMENSIONS IN BRACKETS ARE IN MILLIMETERS
- WIRE STRIP LENGTH: 1/4 <sup>+1/32</sup>/<sub>0</sub> (6.4 <sup>+8</sup>/<sub>0</sub>)



LISTED  
587H  
E52164



CERTIFIED  
LR31212



.145 (3.68)  
MAX WIRE  
INSUL DIA  
.090 (2.29)  
MIN. WIRE  
INSUL. DIA.

A41202\_06

										<b>PANDUIT</b> CORP.	TINLEY PARK, ILLINOIS
06	1/01	KMD		CAD FILE SPEC. WAS N41202AA_PCD_05						TERMO 3PC. CONTINUOUSLY MOLDED NYLON (FUNNEL) INSULATED, 22-18 BARREL, FLANGED FORKS	
05	12/96	JAMB		ADDED DIM., "MIN. WIRE INSUL DIA."	05403						
REV	DATE	BY	CHK	DESCRIPTION	ECN	CUST	PM	DRAWN BY	CHK'D	SCALE	DRAWING NO.
								FES	LA	NONE	A41202