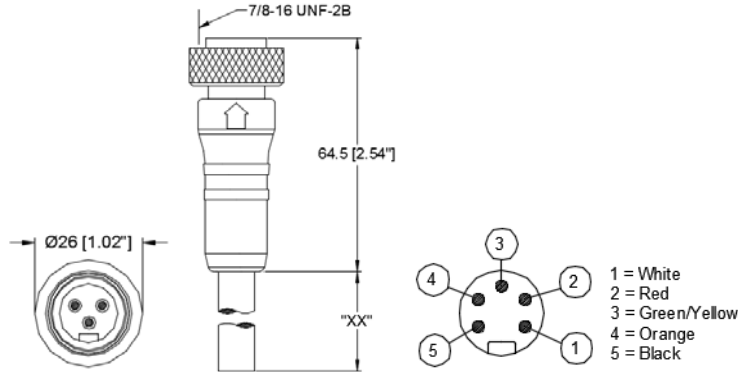
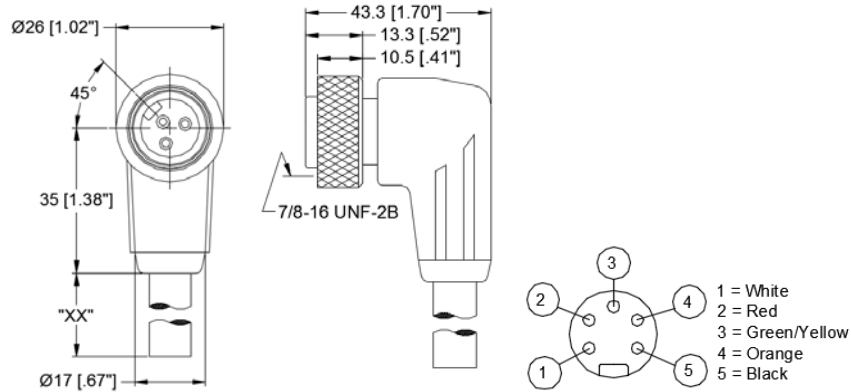


Drawings

End 1



End 2



Technical Data

Cordage Construction		Diameters (In)
Cordage Part Number	115	
Component 1	5 COND	
a) Conductor	16 (65/34) AWG Bare Copper	0.059
b) Insulation	0.016" Wall, Nom. PVC/ 0.005" Wall Nylon	0.101
Insulation Colors	White, Red, Green/Yellow, Orange, Black	
Jacket	0.050" Wall, Nom. TPE	0.380
a) Color(s)	YELLOW	
Cord Configuration		
End 1	Mini Male 7/8", Internal Thread	
End 2	Mini Female 7/8" 90 Degree	
Insert	Yellow TPU	
Mold Color	Yellow TPU	
Contact	Copper Alloy, Gold over Silver plated	

Issue: 1 Issue Date: 8/1/2016 Effective Date: 8/1/2016

Coupling Nut	Aluminum, anodized black	
Available Lengths	0.6, 1, 3, 5, 10, 15, 20 Meters	
Applicable Specifications- Cable		
UL	TC-ER SUN RES OIL RES I/II AWM/STYLE 20327	90°C Dry/75°C Wet 600 V _{RMS}
CSA International	C(UL) CIC Control/TC FT4	90°C Dry/75°C Wet 600 V _{RMS}
Applicable Specifications- Cord Set		
UL	ANSI/UL 2238, Cable Assembly Extension RU, UL File Number E485156	
CSA	CSA-C22.2 No. 182.3, Special Use Attachment Plugs, Receptacles and Connectors cRU, UL File Number E485156	
Ingress Protection	IP67	
Environmental Compliance		
CE	All materials used in the manufacture of this part meet the requirements of European Directive 2011/65/EU regarding the restriction of use of certain hazardous substances in electrical and electronic equipment. Exemption used; 6a.	
REACH Regulation (EC 1907/2006)	This product does not contain Substances of Very High Concern (SVHC) listed on the European Union's REACH candidate list in excess of 0.1% mass of the item.	
Physical & Mechanical Properties		
Temperature Range, Cord	-30 to 90°C(static), -15 to 90°C (dynamic)	
Bend Radius	7X Cable Diameter (static), 10X Cable Diameter (dynamic)	
Pull Tension	101 Lbs, Maximum	
Current Rating	7.3 Amps @ 50°C	
Ordering Information		
PR05KW115 YL355	0.6 Meters	
PR05KW115 YL356	1.0 Meters	
PR05KW115 YL357	3.0 Meters	
PR05KW115 YL358	5.0 Meters	
PR05KW115 YL359	10.0 Meters	
PR05KW115 YL400	15.0 Meters	
PR05KW115 YL401	20.0 Meters	
Standard Package	Each	

Although Alpha Wire ("Alpha") makes every reasonable effort to ensure their accuracy at the time of this publication, information and specifications described herein are subject to error or omission and to change without notice, and the listing of such information and specifications does not ensure product availability. Alpha provides the information and specification herein on an "AS IS" basis, with no representations or warranties, whether express, statutory or implied. In no event will Alpha be liable any damages (including consequential, indirect, incidental, special, punitive, or exemplary damages) whatsoever, even if Alpha has been advised of the possibility of such damages, whether in an action under contract, negligence or any other theory, arising out of or in connection with the use, or inability to use, the information or specification described herein.