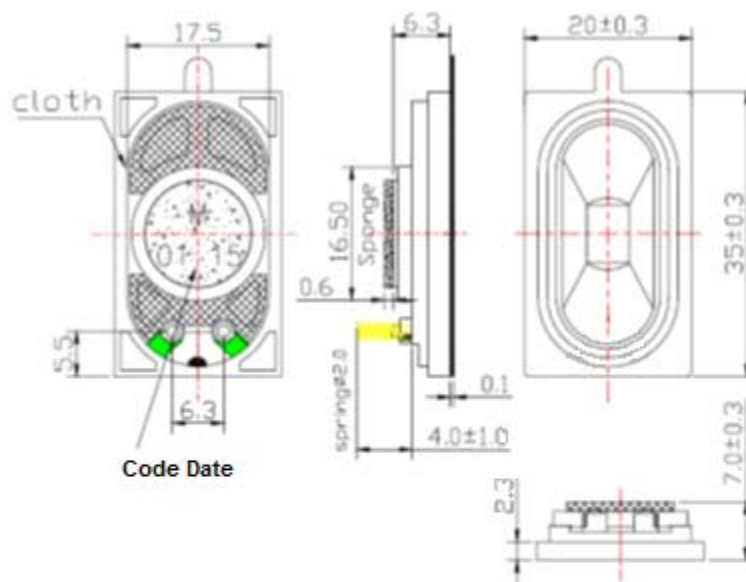


**Sales Outline Drawing**Revision **A****Specifications:**

Impedance ( $\Omega$ )	$8 \pm 15\%$ at 1000 Hz 1.0 V
Rated Power (W)	2.0
Max Power (W)	2.5
Resonance Freq Fo (Hz)	$670 \pm 20\%$
Frequency Range (Hz)	Fo ~ 10000
Output S.P.L. (dB)	$98 \pm 3$ at 2.0w/.1m 0.8k, 1.0k, 1.2k, 1.5kHz $75 \pm 3$ at 1w/1m 0.8k, 1.0k, 1.2k, 1.5kHz
Magnet	Nd-Fe-B
Frame Material	ABS 777D
Operating / Storage Temp	-20 to 55°C/ -30 to 65°C
Weight (g)	4.53
Options	For other options contact factory

**Dimensions:  $\pm 0.2$**  (units: mm)**ROHS Compliant**

Recommmand PWD Pad Layout