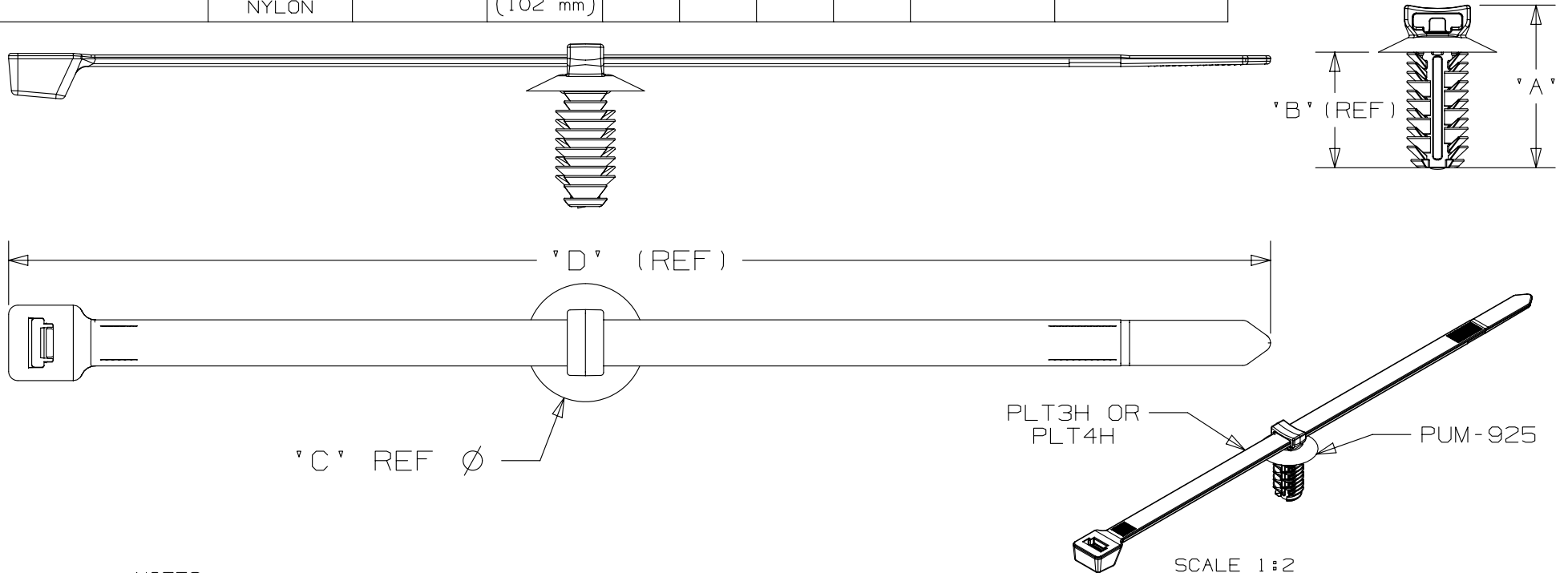


THIS COPY IS PROVIDED ON A RESTRICTED BASIS AND IS NOT TO BE USED IN ANY WAY DETRIMENTAL TO THE INTERESTS OF PANDUIT CORP.

PANDUIT PART NUMBER	CABLE TIE			DIMENSIONS (mm)				COLOR	WEIGHT grams/100pcs
	MATERIAL	MIN TENSILE	MAX BUNDLE	'A'	'B' (REF)	'C' (REF)	'D' (REF)		
PUM-925-3H-_30	HEAT STABILIZED NYLON	120 LBS (534 N)	3.0 " (76 mm)	26.7	19.1	19.6	290	BLACK	594 (REF)
PUM-925-4H-_0	WEATHER RESISTANT NYLON		4.0 " (102 mm)				368		702 (REF)



NOTES:

1. SEE CURRENT PRICE SHEET FOR PART NUMBER SUFFIX DESIGNATION FOR PACKAGE SIZE.
2. (*) DIMENSIONAL VARIANCE IS POSSIBLE DUE TO MOLDING PROCESS RELATED SINK MARKS.
3. APPLICATION SPECIFICATION:
A. HOLE DIAMETER: 8.8 - 9.3 mm
B. PANEL THICKNESS: 1.0 - 16.0 mm

CAD FILENAME/LAYERS		G03597AC_DC_GB3597AC/01A	
<h1>PANDUIT</h1> CORP. TINLEY PARK, ILLINOIS			
PUM-925-3H-_30 & PUM-925-4H-_0 PUSH MOUNT/CABLE TIE ASSEMBLY			
UNLESS OTHERWISE SPECIFIED, ALL DIMENSIONS ARE GIVEN IN METRIC TOLERANCE: ±0.5MM			

REV	DATE	BY	CHK	DESCRIPTION	ECN	R	CUST	SUP	DRAWN BY	MAT'L	SCALE	DRAWING NO.	DWG SIZE
01A	11/25/08	PSG		INITIAL RELEASE	GB3597AC	01A			PSG	SEE TABLE	1:1 UNLESS NOTED	GB3597AC	A
									DATE				
									CHK'D				