

## Features

- Non-Isolated
- Synchronous rectification design
- Adjustable Output voltage
- 2, 3, 4AMP Adjustable Positive Step Down Integrated Switching Regulator
- Over load protection (125% full load typical)
- Remote ON/OFF Control(Ground Off)
- Wide Input Range
- UL94V-0 Package Material
- Continuous short circuit protection (Very low short current  $I_{sc} < 50mA$ )
- Input voltage range 4.5V~28V
- Efficiency to 97%

## Description

The R-7XXX series is a high performance 2.5V to 15V , 2Amp to 4Amp, 12-Pin SIP (single in-line package), Integrated switching regulator (ISR). The Synchronous - rectified design yields excellent efficiencies up to 97%. Short circuit protection reduces the short circuit input current to under 50mA .

## Selection Guide

| Part Number<br>SIP12 | Input Range<br>(V) | Nominal Output Voltage<br>(V) | Vout Adjust Range<br>(V) | Output Current<br>(A) | Efficiency (%) |     |          |
|----------------------|--------------------|-------------------------------|--------------------------|-----------------------|----------------|-----|----------|
|                      |                    |                               |                          |                       | Min. Vin       | 12V | Max. Vin |
| R-723.3x             | 4.5 – 28           | 3.3                           | 2.5 – 5.5                | 2                     | 95             | 93  | 89       |
| R-725.0x             | 6.5 – 28           | 5.0                           | 3.0 – 5.5                | 2                     | 96             | 95  | 91       |
| R-726.5x             | 8.5 – 28           | 6.5                           | 5.0 – 8.0                | 2                     | 97             | 96  | 93       |
| R-729.0x             | 12 – 28            | 9.0                           | 7.0 – 11                 | 2                     | 96             | -   | 93       |
| R-7212x              | 15 – 28            | 12                            | 10 – 14                  | 2                     | 97             | -   | 95       |
| R-7215x              | 19 – 28            | 15                            | 13 – 17                  | 2                     | 97             | -   | 96       |
| R-733.3x             | 4.5 – 28           | 3.3                           | 2.5 – 5.5                | 3                     | 94             | 93  | 89       |
| R-735.0x             | 6.5 – 28           | 5.0                           | 3.0 – 5.5                | 3                     | 95             | 95  | 92       |
| R-736.5x             | 8.5 – 28           | 6.5                           | 5.0 – 8.0                | 3                     | 97             | 96  | 93       |
| R-739.0x             | 12 – 28            | 9.0                           | 7.0 – 11                 | 3                     | 96             | -   | 94       |
| R-7312x              | 15 – 28            | 12                            | 10 – 14                  | 3                     | 97             | -   | 96       |
| R-7315x              | 19 – 28            | 15                            | 13 – 17                  | 3                     | 97             | -   | 96       |
| R-743.3x             | 4.5 – 28           | 3.3                           | 2.5 – 5.5                | 4                     | 93             | 92  | 88       |
| R-745.0x             | 6.5 – 28           | 5.0                           | 3.0 – 5.5                | 4                     | 95             | 94  | 91       |
| R-746.5x             | 8.5 – 28           | 6.5                           | 5.0 – 7.5                | 4                     | 96             | 96  | 93       |

Note:  $V_{in} - V_{out} \geq 1.5V - 4.0V$  depending on  $V_{out}$  if adjust function is used!

Suffix x: (see mechanical drawing for details)

x = P pins vertical through hole

x = D pins bent for horizontal through hole mounting

## INNOLINE DC/DC-Converter

with 3 year Warranty

# RECOM

## 2, 3, 4 AMP SIP12 Vertical & Horizontal



EN-60950-1 Certified

# R-7xxx

Refer to Application Notes

**Specifications (refer to the standard application circuit, Ta: 25°C)**

| Characteristics   | Conditions   | Min.   | Typ.               | Max.   |
|---|--|--|--------------------|--|
| Output Voltage Range                                      | All Series   | 2.5  |                    | 17V  |
| Output Current  | R-72xxP/D<br>R-73xxP/D<br>R-74xxP/D  | 0.2<br>0.3<br>0.4  |                    | 2.0A<br>3.0A<br>4.0A                                       |
| Output Current Limit                                      | R-72xxP/D<br>R-73xxP/D<br>R-74xxP/D  |  | 2.5<br>3.75<br>5.0 | 3.0A<br>4.25A<br>5.5A                                      |
| Short Circuit Input Current                               | All Series   |  | 50                 | 100mA  |
| Short Circuit Protection                                  |  | Continuous, automatic recovery                                 |                    |  |
| Output Voltage Accuracy (At 100% Load)                    | All Series   |  | ±1%                | ±2%  |
| Line Voltage Regulation (Vin = min. to max. at full load) | All Series   |  | 0.5                | 1.0%   |
| Load Regulation (10 to 100% full load)                    | All Series   |  | 0.5                | 1.0%   |
| Ripple & Noise  | All Series   |  | 40mVp-p            | 70mVp-p  |
| Transient Response (see note 1)                           | 50% Load Change –<br>Vout Over / Undershoot  |  | 100µs              | 200µs<br>100mV   |
| Remote ON / OFF (see note 2)                              | Open or High (Power ON)<br>Low (Power OFF)   | 4.5  |                    | 28V<br>0.8V  |
| Max capacitance Load                                      | with normal start-up time, no external diodes<br>with <1 second start up time + diode protection circuit |  |                    | 200µF<br>6800µF  |
| Switching Frequency                                       |  | 270  | 300                | 330kHz   |
| Shutdown current  | ON / OFF Pin pulled low  |  |                    | 100µA  |
| Quiescent Current   | Vin = min. to max. at 0% load  |  |                    | 30mA   |
| Operating Temperature Range                               |  | -40°C  |                    | +85°C  |
| Operating Case Temperature                                |  |  |                    | +110°C   |
| Storage Temperature Range                                 |  | -40°C  |                    | +125°C   |
| Case Material   |  | Non-Conductive Black Plastic                                   |                    |  |
| Potting Material  |  | Epoxy (UL94V-0)  |                    |  |
| Thermal Impedance   | Natural Convection   |  |                    | 25°C/W   |
| Internal Power Dissipation                                | Ta < 60°C  |  |                    | 1.4W   |
| Package Weight  |  |  |                    | 9g   |
| Packing Quantity  |  |  |                    | 15 pcs per Tube  |
| MTBF (Nominal Vout, 100% load)                            | Tamb. = +25°C<br>Tamb. = +85°C   | } Detailed Information see<br>Application Notes chapter "MTBF" |                    | 749 x 10 <sup>3</sup> hours<br>150 x 10 <sup>3</sup> hours |
| EN General Safety   | Report: SPCLVD1301028-1  |  |                    | EN60950-1:2006 + A12:2011                                  |

**Notes:**

- Requires a 100µF electrolytic or tantalum output capacitor for proper operation in all applications (the capacitor to be placed as close as possible to the output pins).
- ON / OFF pin driven by TTL (logic gate), open-collector bipolar transistor or open-drain MOSFET.

**Output Current vs Input Voltage**

**How to calculate the max output current**

The internal power dissipation(P<sub>D</sub>)follows the equation:

$$P_D = I_o \times V_o \times (1-\eta)$$

$$I_o = P_D / V_o \times (1-\eta)$$

Where P<sub>D</sub> = Internal power dissipation

I<sub>o</sub> = Output current

V<sub>o</sub> = Output voltage

η = Efficiency

Example: R-745.0P, at Vin = 28Vdc, Vo = 5Vdc, η=91% (see "Selection Guide" table)

(a) When Ta = 60°C, P<sub>D</sub> = 1.4 Watt (see beside diagram)

$$I_o = 1.4(W) / 5(V) \times (1-0.91) = 3.11(A)$$

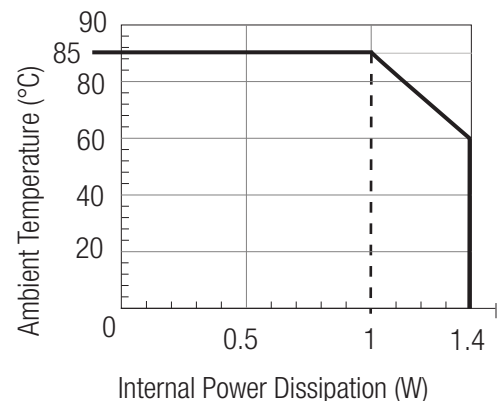
(b) When Ta = 85°C, P<sub>D</sub> = 1 Watt (see beside diagram)

$$I_o = 1(W) / 5(V) \times (1-0.91) = 2.22(A)$$

(c) At Vin = 12Vdc efficiency = 94% (see "Selection Guide" table)

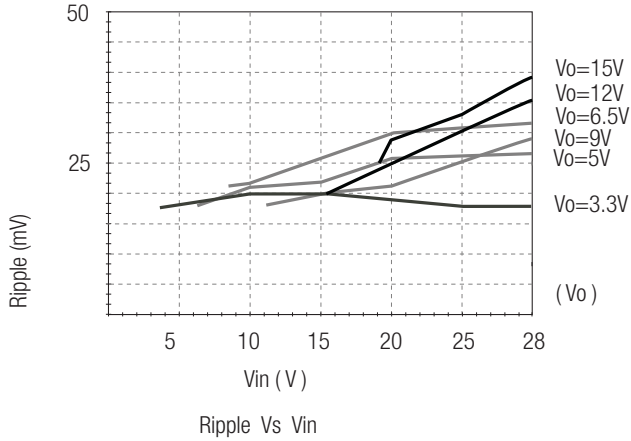
When Ta = 85°C, P<sub>D</sub> = 1 Watt (see beside diagram)

$$I_o = 1(W) / 5(V) \times (1-0.94) = 3.33(A)$$

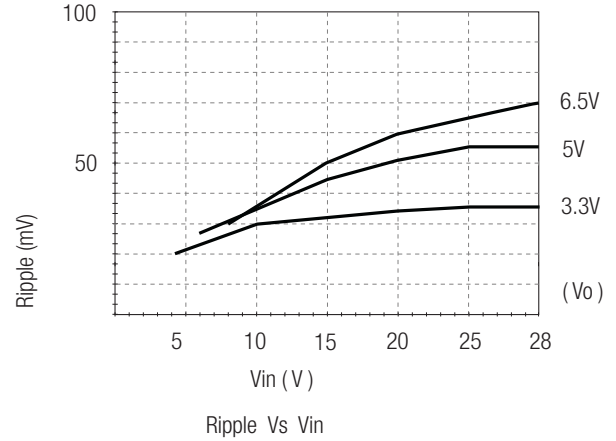


**Characteristics**

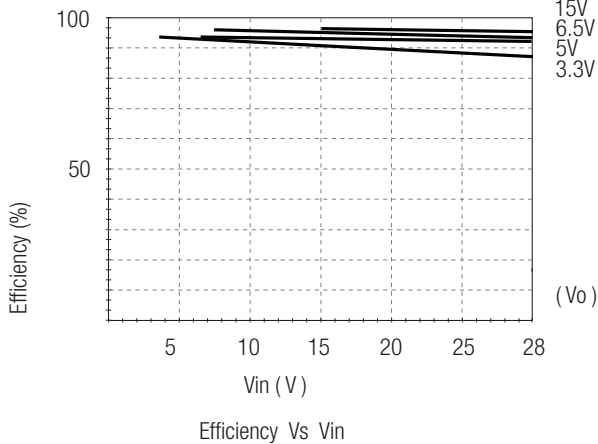
R-72xx / R-73xx  
Ripple VS Vin



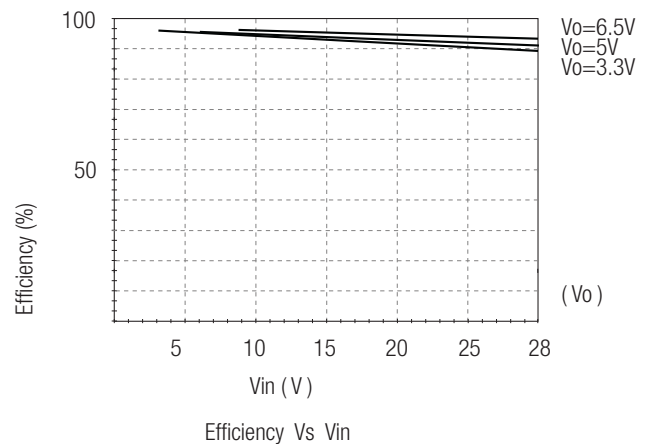
R-74xx  
Ripple VS Vin



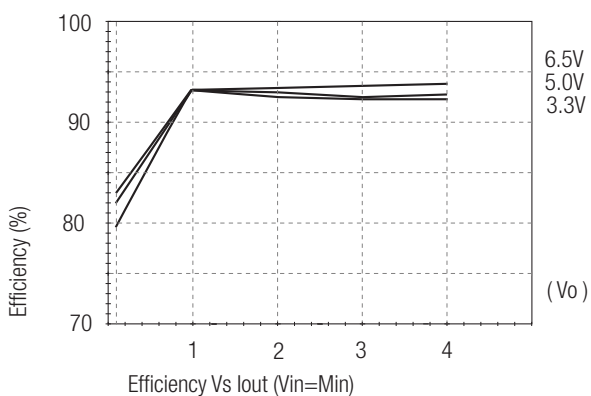
R-72xx / R-73xx  
Efficiency VS Vin



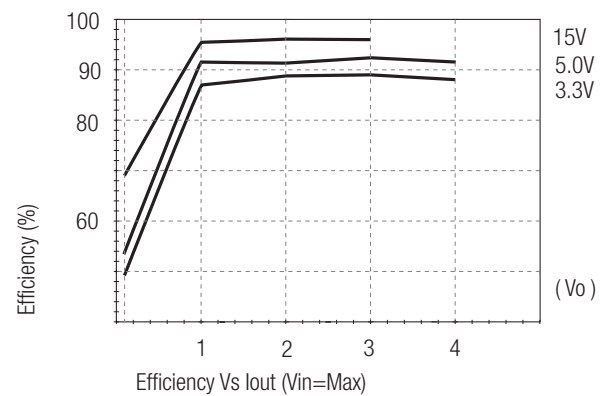
R-74xx  
Efficiency VS Vin



R-72xx / R-73xx / R-74xx  
Efficiency / Load Vin=Min



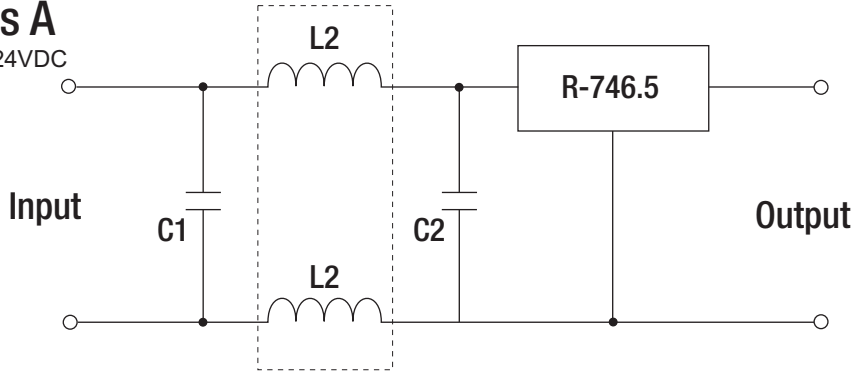
R-72xx / R-73xx / R-74xx  
Efficiency / Load Vin=Max



**EMC EN55022 Filter Suggestion**

## Class A

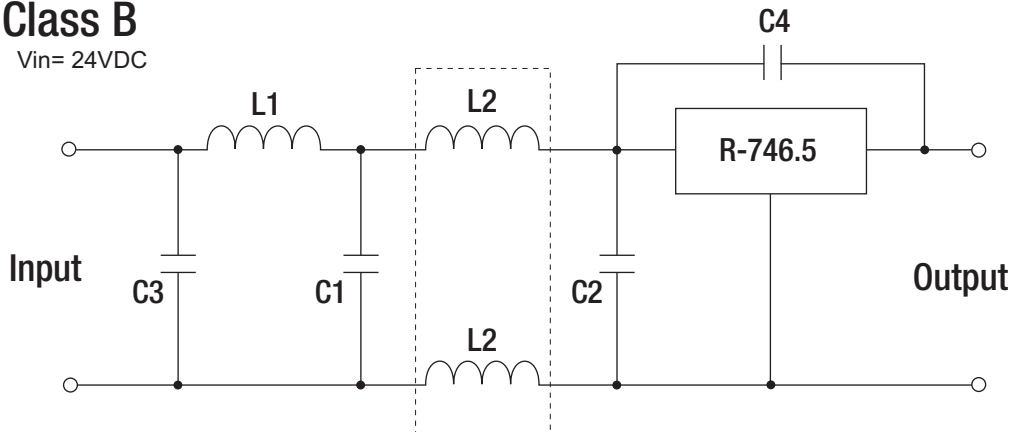
V<sub>in</sub> = 24VDC



| C1 and C2 | L2         |
|-----------|------------|
| 33µF      | 0.45mH CMC |

## Class B

V<sub>in</sub> = 24VDC



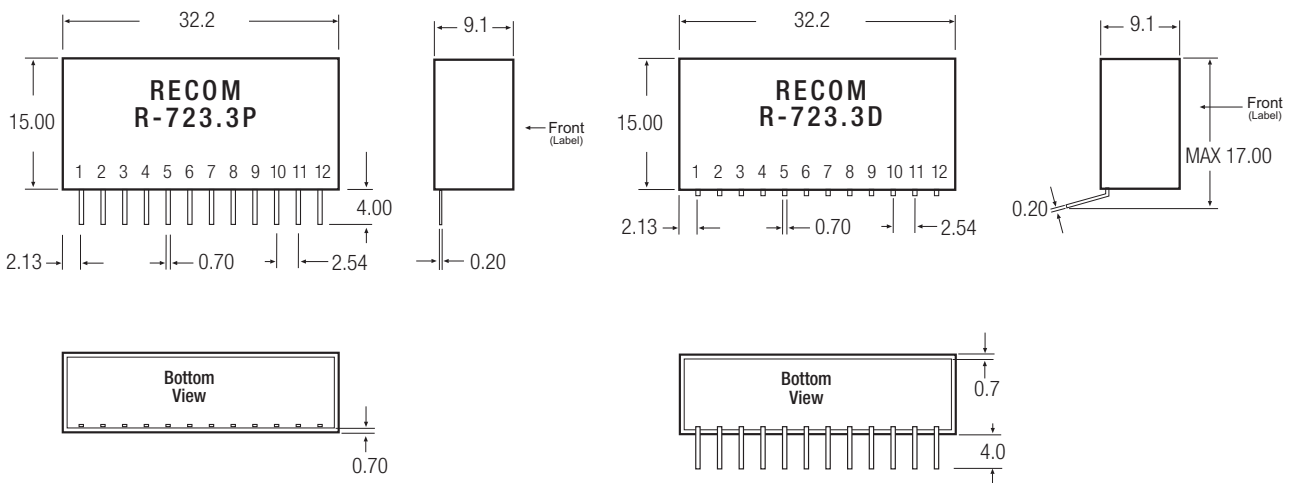
| C1 and C2 | C3   | C3   | C4      |
|-----------|------|------|---------|
| 33µF      | 10µF | 10µF | 1nF/2kV |

| L1  | L2         |
|-----|------------|
| 2mH | 0.45mH CMC |

R-7xxx

### Package Style and Pinning (mm)

SIP12 PIN Package



**Pin Connections**

| Pin #      | Name                 | Description   |
|------------|----------------------|---|
| 1          | ON / OFF             | Input pin : Active low (less than 0.8V) to disable the device |
| 2, 3, 4    | V <sub>in</sub>      | Power input   |
| 5, 6, 7, 8 | GND                  | Input and output ground (common)                              |
| 9, 10, 11  | V <sub>out</sub>     | Power output  |
| 12         | V <sub>out-Adj</sub> | With external resistors R1,R2 to selected output voltage      |

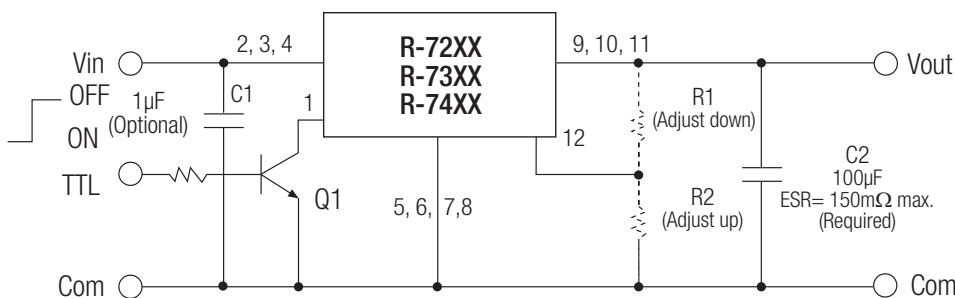
Tolerance: xx.x ±0.5mm  
xx.xx ±0.25mm

**Table 1: Adjustment Resistor Values**

| 2ADC           | R-723.3P/D | R-725.0P/D | R-726.5P/D | R-729.0P/D | R-7212P/D | R-7215P/D |        |       |       |       |       |       |
|----------------|------------|------------|------------|------------|-----------|-----------|--------|-------|-------|-------|-------|-------|
| 3ADC           | R-733.3P/D | R-735.0P/D | R-736.5P/D | R-739.0P/D | R-7312P/D | R-7315P/D |        |       |       |       |       |       |
| 4ADC           | R-743.3P/D | R-745.0P/D | R-746.5P/D |            |           |           |        |       |       |       |       |       |
| Vout (nominal) | 3.3Vdc     |            | 5.0Vdc     |            | 6.5Vdc    |           | 9.0Vdc |       | 12Vdc |       | 15Vdc |       |
| Vout (adj)     | R1         | R2         | R1         | R2         | R1        | R2        | R1     | R2    | R1    | R2    | R1    | R2    |
| 2.5            | 8.5KΩ      |            |            |            |           |           |        |       |       |       |       |       |
| 3.0            | 33KΩ       |            | 470Ω       |            |           |           |        |       |       |       |       |       |
| 3.2            | 110KΩ      |            | 1.6KΩ      |            |           |           |        |       |       |       |       |       |
| 3.3            |            |            | 2.2KΩ      |            |           |           |        |       |       |       |       |       |
| 3.4            |            | 36KΩ       | 3.0KΩ      |            |           |           |        |       |       |       |       |       |
| 3.6            |            | 11KΩ       | 4.7KΩ      |            |           |           |        |       |       |       |       |       |
| 3.9            |            | 4.7KΩ      | 8.5KΩ      |            |           |           |        |       |       |       |       |       |
| 4.5            |            | 1.6KΩ      | 30KΩ       |            |           |           |        |       |       |       |       |       |
| 4.9            |            | 820Ω       | 220KΩ      |            |           |           |        |       |       |       |       |       |
| 5.0            |            | 680Ω       |            |            | 11KΩ      |           |        |       |       |       |       |       |
| 5.1            |            | 560Ω       |            | 28KΩ       | 12KΩ      |           |        |       |       |       |       |       |
| 5.5            |            | 190Ω       |            | 2.6KΩ      | 20KΩ      |           |        |       |       |       |       |       |
| 6.0            |            |            |            |            | 47KΩ      |           |        |       |       |       |       |       |
| 6.5            |            |            |            |            |           |           |        |       |       |       |       |       |
| 7.0            |            |            |            |            |           | 4.5KΩ     | 13KΩ   |       |       |       |       |       |
| 7.5            |            |            |            |            |           | 2.2KΩ     |        |       |       |       |       |       |
| 8.0            |            |            |            |            |           |           | 31KΩ   |       |       |       |       |       |
| 9.0            |            |            |            |            |           |           |        |       |       |       |       |       |
| 10             |            |            |            |            |           |           |        | 2.2KΩ | 20KΩ  |       |       |       |
| 11             |            |            |            |            |           |           |        | 390Ω  | 47KΩ  |       |       |       |
| 12             |            |            |            |            |           |           |        |       |       |       |       |       |
| 13             |            |            |            |            |           |           |        |       |       | 2.4KΩ | 36KΩ  |       |
| 14             |            |            |            |            |           |           |        |       |       | 390Ω  | 76KΩ  |       |
| 15             |            |            |            |            |           |           |        |       |       |       |       |       |
| 16             |            |            |            |            |           |           |        |       |       |       |       | 2.6KΩ |
| 17             |            |            |            |            |           |           |        |       |       |       |       | 860Ω  |
| 18             |            |            |            |            |           |           |        |       |       |       |       |       |

R-7xxx

**Standard Application Circuit**



Add a blocking diode to Vout if current can flow backwards into the output, as this can damage the converter.

Protection diodes are required for high capacitive loads.

Refer to R-5xxxA Datasheet (see Optional Diode Protection Circuit) for circuit suggestions.

The product information and specifications are subject to change without prior notice. RECOM products are not authorized for use in safety-critical applications (such as life support) without RECOM's explicit written consent. A safety-critical application is defined as an application where a failure of a RECOM product may reasonably be expected to endanger or cause loss of life, inflict bodily harm or damage property. The buyer shall indemnify and hold harmless RECOM, its affiliated companies and its representatives against any damage claims in connection with the unauthorized use of RECOM products in such safety-critical applications.