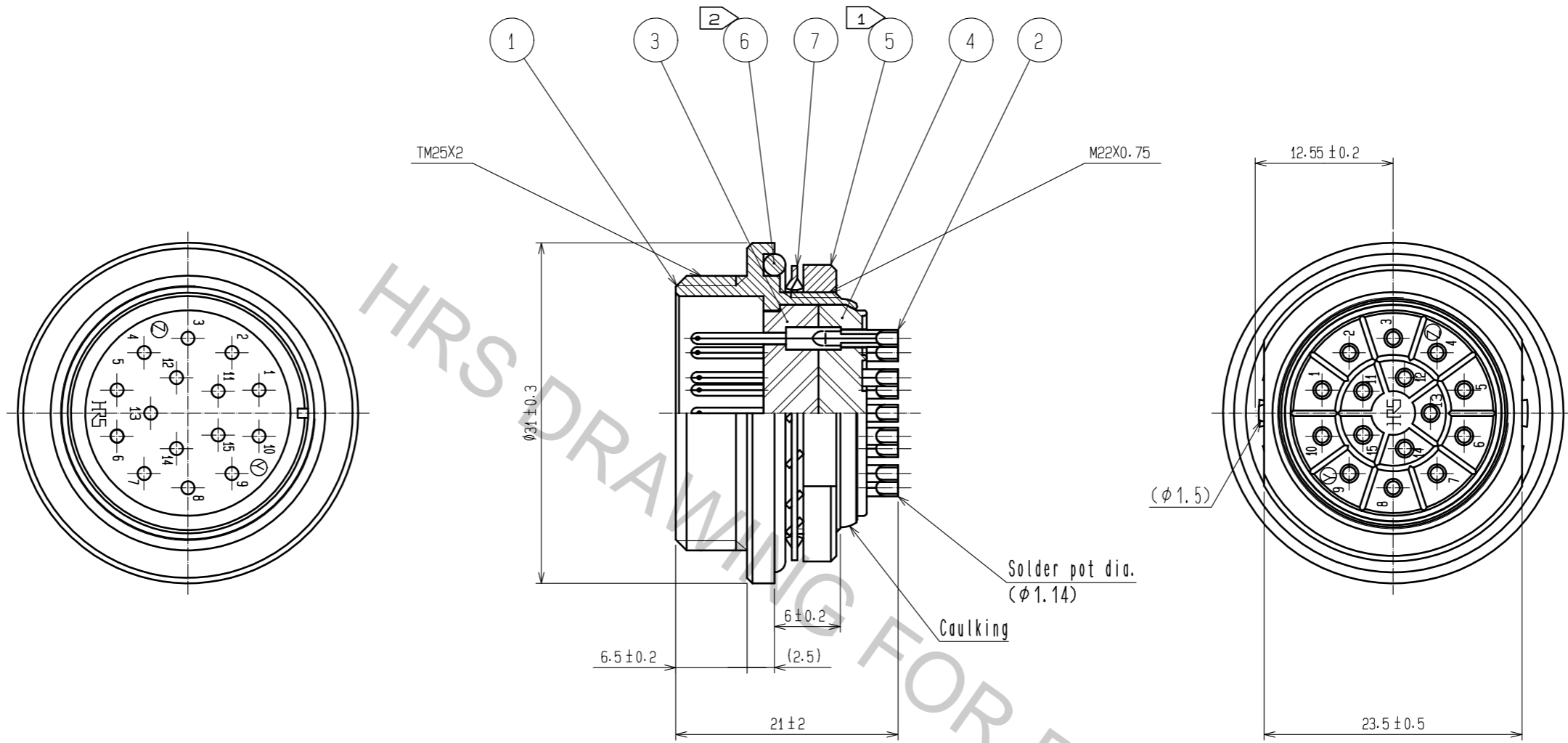
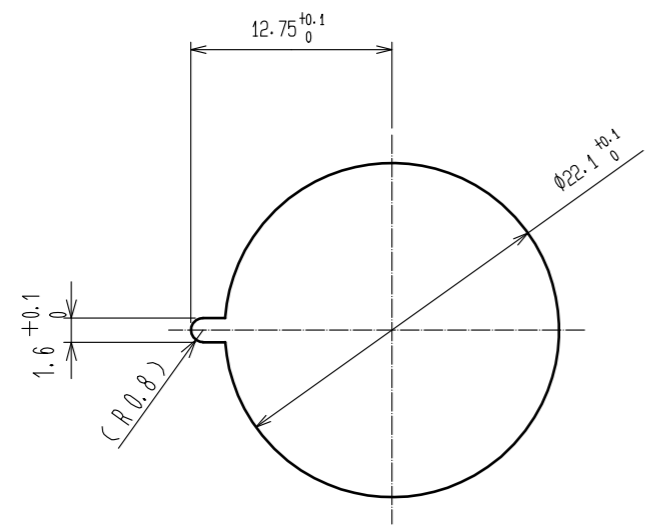


Aug.1.2018 Copyright 2018 HIROSE ELECTRIC CO., LTD. All Rights Reserved.  
 In case that the application demands a high level of reliability, such as automotive,  
 please contact a company representative for further information.



Panel cutout  
 (Panel thickness 2 max.)



Notes ① The recommended clamp torque of ref. No. ⑤ : 4 N·m.  
 LOCTITE 263, HENKEL JAPAN or equivalent is recommended to prevent ref. No. ⑤ from loosening.  
 ② At the connector mount ref. No. ⑥ shall be attached without bite lump.

3	Diallyl phthulate	(Black)	UL94V-0	7	Phosphor bronze	Nickel plating		
2	Brass	Silver plating	4μm min.	6	Choloroprene rubber	(Black)		
1	Brass	Nickel plating		5	Brass	Nickel plating		
				4	Diallyl phthulate	(Black) UL94V-0		
NO.	MATERIAL	FINISH	REMARKS	NO.	MATERIAL	FINISH . REMARKS		
UNITS	mm	SCALE	2 : 1	COUNT	DESCRIPTION OF REVISIONS	DESIGNED	CHECKED	DATE
<b>HRS</b> HIROSE ELECTRIC CO., LTD.		APPROVED	: HY. KOBAYASHI	18.03.13	DRAWING NO.	EDC-003645-31-00		
		CHECKED	: HY. KOBAYASHI	18.03.13	PART NO.	RM21WTR-15P(31)		
		DESIGNED	: HY. KISHI	18.03.13	CODE NO.	CL109-1445-8-31		
		DRAWN	: HY. KISHI	18.03.13				