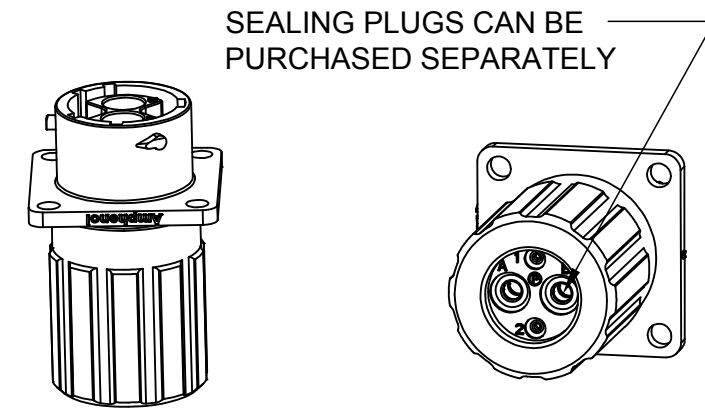
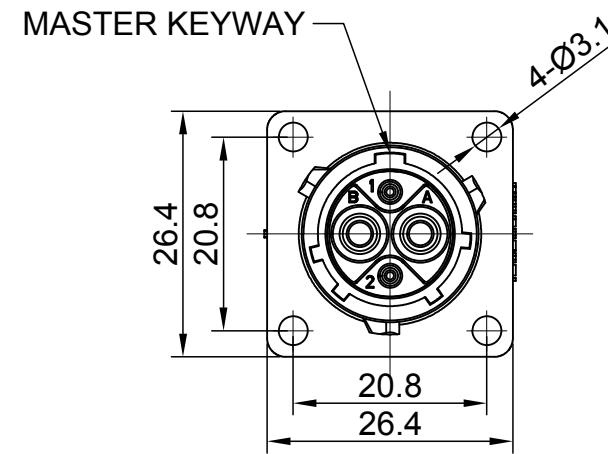
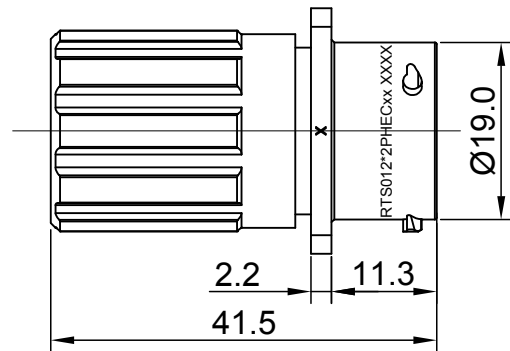
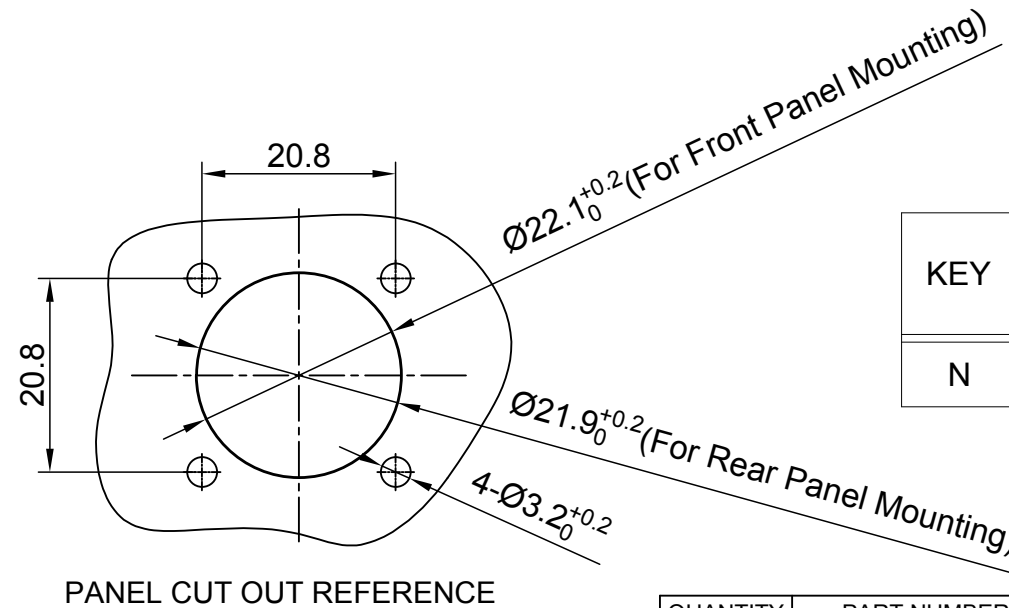


REVISIONS					
REV	ECO	DESCRIPTION	DATE	BY	APPR
A1	--	FIRST RELEASED	Jul-01-2017	Nick	Tommy
A2	--	UPDATE PANEL CUT OUT REFERENCE	Aug-08-2017	Nick	Tommy
A3	--	UPDATE DRAWING	Mar-19-2018	White	Tommy
A4	--	UPDATE DRAWING	Apr-10-2018	White	Tommy



NOTES : (UNLESS OTHERWISE SPECIFIED)

- MATERIAL :
 SHELL : THERMOPLASTIC , UL94 V-0.
 INSERT : THERMOPLASTIC , UL94 V-0.
 O-RING : NBR OR SILICONE RUBBER.
 SEAL GASKET : NBR OR SILICONE RUBBER.
 END CAP : THERMOPLASTIC , UL94 V-0.
 PLASTIC RING:THERMOPLASTIC , UL94 V-0.
 WIRE SEAL : SILICONE RUBBER.
- SPECIFICATIONS :
 - RATED CURRENT : 2.5mm CONTACT: 23A (MAX).
20# CONTACT: 5A (MAX).
 - RATED VOLTAGE : 350V(AC/DC).
 - OPERATING TEMPERATURE : SEE TABLE.
 - DIELECTRIC WITHSTANDING VOLTAGE : LESS THAN 2 MILLIAMPS CURRENT LEAKAGE@2000 VOLTS AC.
 - INSULATION RESISTANCE : 5000 MEGOHMS MIN.
 - IP-CLASS : IP67 AND IP69K IN THE MATED CONDITION, WIRE SEALS FULLY POPULATED.
 - MATING CYCLES DURABILITY : 500 CYCLES MIN.
 - RoHS COMPLIANT.
- SUITABLE CONTACTS : 2.5mm CONTACT.
20# CONTACT.
- ALL DIMENSIONS ARE FOR REFERENCE USE ONLY.



KEY	PART NUMBER	
		-40°C ~ 105°C
N	RTS012N2PHEC	RTS012N2PHEC03

QUANTITY	PART NUMBER	DESCRIPTION	ITEM												
MATERIALS LIST															
UNLESS OTHERWISE SPECIFIED 1) All dimensions are in metric(mm). 2) Tolerances are as follows: 1 PL DEC ±0.30 Fractions ±1/64 2 PL DEC ±0.15 Angles ±1° 3 PL DEC ±0.08		<table border="1"> <thead> <tr> <th>SIGNATURES</th> <th>DATE</th> </tr> </thead> <tbody> <tr> <td>DRAWN: White</td> <td>Apr-10-2018</td> </tr> <tr> <td>CHECKED: Tod</td> <td>Apr-10-2018</td> </tr> <tr> <td>ENGINEER:</td> <td></td> </tr> <tr> <td>APPROVAL: Tommy</td> <td>Apr-10-2018</td> </tr> </tbody> </table>		SIGNATURES	DATE	DRAWN: White	Apr-10-2018	CHECKED: Tod	Apr-10-2018	ENGINEER:		APPROVAL: Tommy	Apr-10-2018		
SIGNATURES	DATE														
DRAWN: White	Apr-10-2018														
CHECKED: Tod	Apr-10-2018														
ENGINEER:															
APPROVAL: Tommy	Apr-10-2018														
MATERIAL SPECIFICATIONS:		<h1>Amphenol</h1> <p>Sine Systems - www.amphenol-sine.com 44724 Morley Drive Clinton Township, MI 48036</p>													
PROCESS SPECIFICATIONS:		<p>ECO-MATE, RECEPTACLE, END CAP, FLANGE, SIZE 12, 2+2 POS, PIN</p>													
NEXT ASSY:		<table border="1"> <tr> <td>SIZE</td> <td>TYPE</td> <td>DWG NO:</td> <td>REVISION</td> </tr> <tr> <td>B</td> <td>C-</td> <td>RTS012*2PHECxx</td> <td>A4</td> </tr> <tr> <td colspan="2">SCALE: NONE</td> <td colspan="2">SHEET 1 OF 1</td> </tr> </table>		SIZE	TYPE	DWG NO:	REVISION	B	C-	RTS012*2PHECxx	A4	SCALE: NONE		SHEET 1 OF 1	
SIZE	TYPE	DWG NO:	REVISION												
B	C-	RTS012*2PHECxx	A4												
SCALE: NONE		SHEET 1 OF 1													

TITLE: ECO-MATE, RECEPTACLE, END CAP, FLANGE, SIZE 12, 2+2 POS, PIN

DWG NO: RTS012*2PHECxx

REV: A4

SH: 1

OF: 1