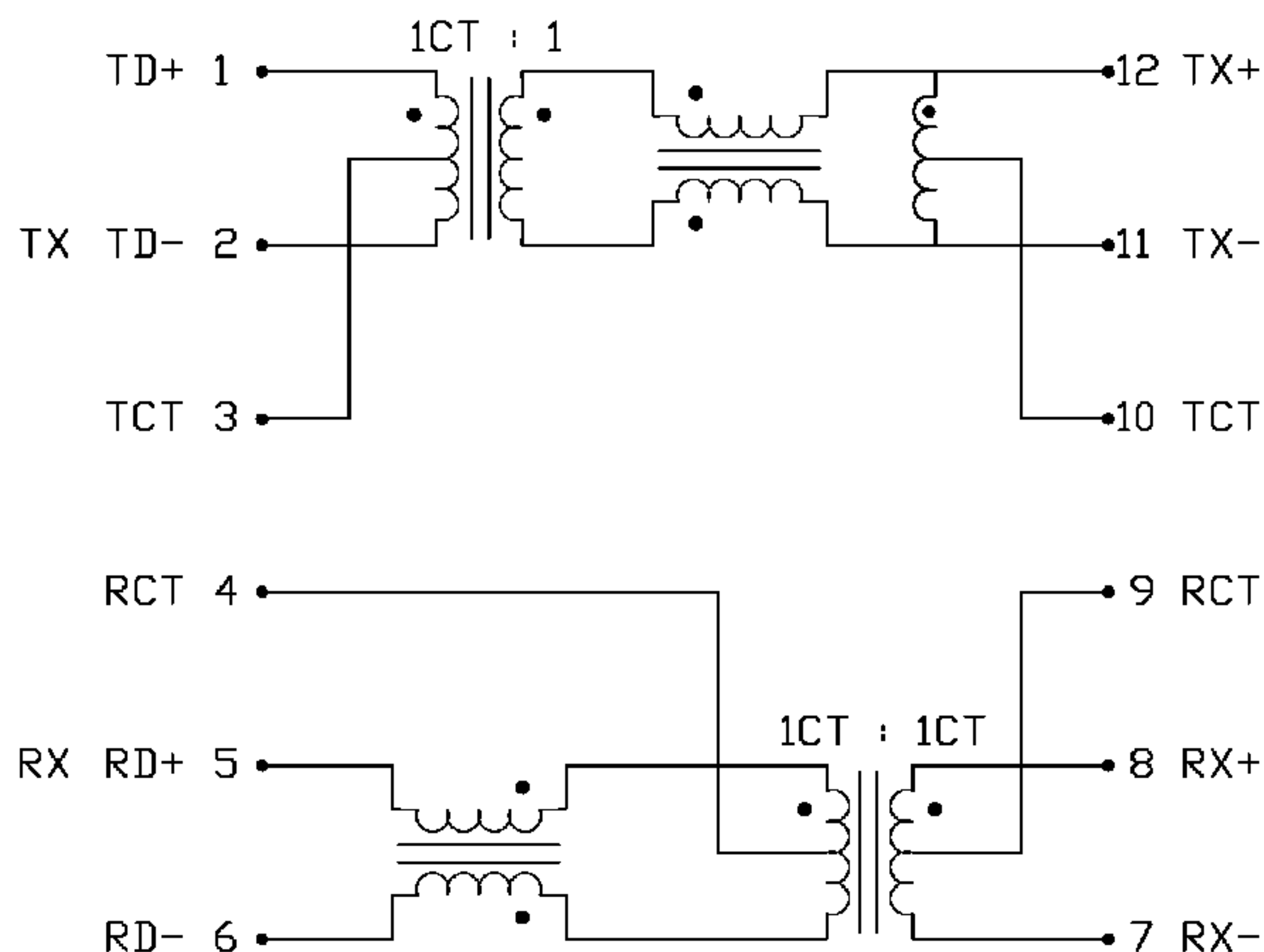


THE INFORMATION CONTAINED HEREIN IS CONSIDERED "PROPRIETARY" TO BEL FUSE INC. AND SHALL NOT BE COPIED, REPRODUCED OR DISCLOSED WITHOUT THE WRITTEN APPROVAL OF BEL FUSE INC.

ELECTRICAL CHARACTERISTICS @ 25°C



SCHEMATIC



TURNS RATIO Tx (1-3-2) : (12-11) Rx (5-4-6) : (8-9-7)	1CT : 1 1CT : 1CT
PHASING OCL Tx (12-11) Rx (8-7)	1 TO 12 ; 5 TO 8  400uH MIN. @ 100kHz, 100mV WITH 8mA DC BIAS
INSERTION LOSS RECEIVE 100kHz - 60MHz 60MHz - 100MHz 100MHz - 140MHz	0.6dB MAX. 1.0dB MAX. 3.0dB MAX.
TRANSMIT 100kHz - 10MHz 10MHz - 60MHz 60MHz - 100MHz 100MHz - 140MHz	0.5dB MAX. 0.6dB MAX. 1.0dB MAX. 3.0dB MAX.
RETURN LOSS UNDER 100 Ohms ±15 ENVIRONMENT 1MHz - 30MHz 30MHz - 60MHz 60MHz - 80MHz	18dB MIN. 16dB MIN. 12dB MIN.
COMMON TO COMMON MODE REJ 100kHz - 30MHz 30MHz - 100MHz	50dB MIN. 30dB MIN.
CROSSTALK 100kHz 1MHz 30MHz - 60MHz 100MHz	35dB MIN. 50dB MIN. 40dB MIN. 35dB MIN.
DIFF TO COM MODE REJ 30MHz 60MHz 100MHz 200MHz	42dB MIN. 37dB MIN. 33dB MIN. 25dB MIN.

HIPOT

PER HAND-WORK-03

ORIGINATED BY	DATE	TITLE	PART NO. / DRAWING NO.	STANDARD DIM.	[ ] METRIC DIM. AS REFERENCE	
HO	06-07-05	10/100BT MAGNETICS MODULE	X5585999K6-F	TOL. IN INCH	UNIT : INCH [mm]	REV. : A
DRAWN BY	DATE	S558-5999-K6-F	FILE NAME	.X	SCALE : N/A	SIZE : A4
DQ Chen	06-07-05		X5585999K6FA.DWG	.XX		PAGE : 2
				.XXX		

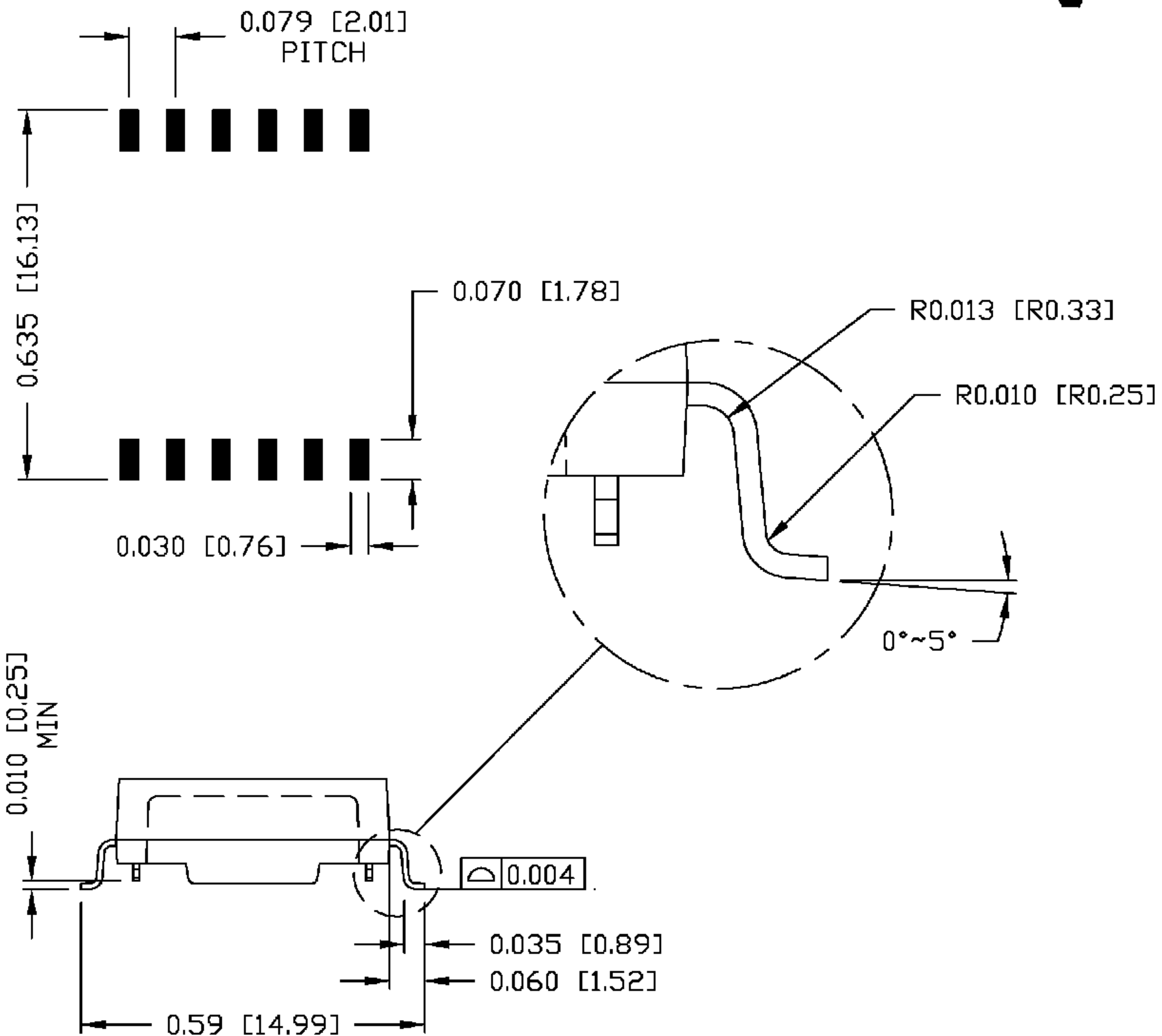
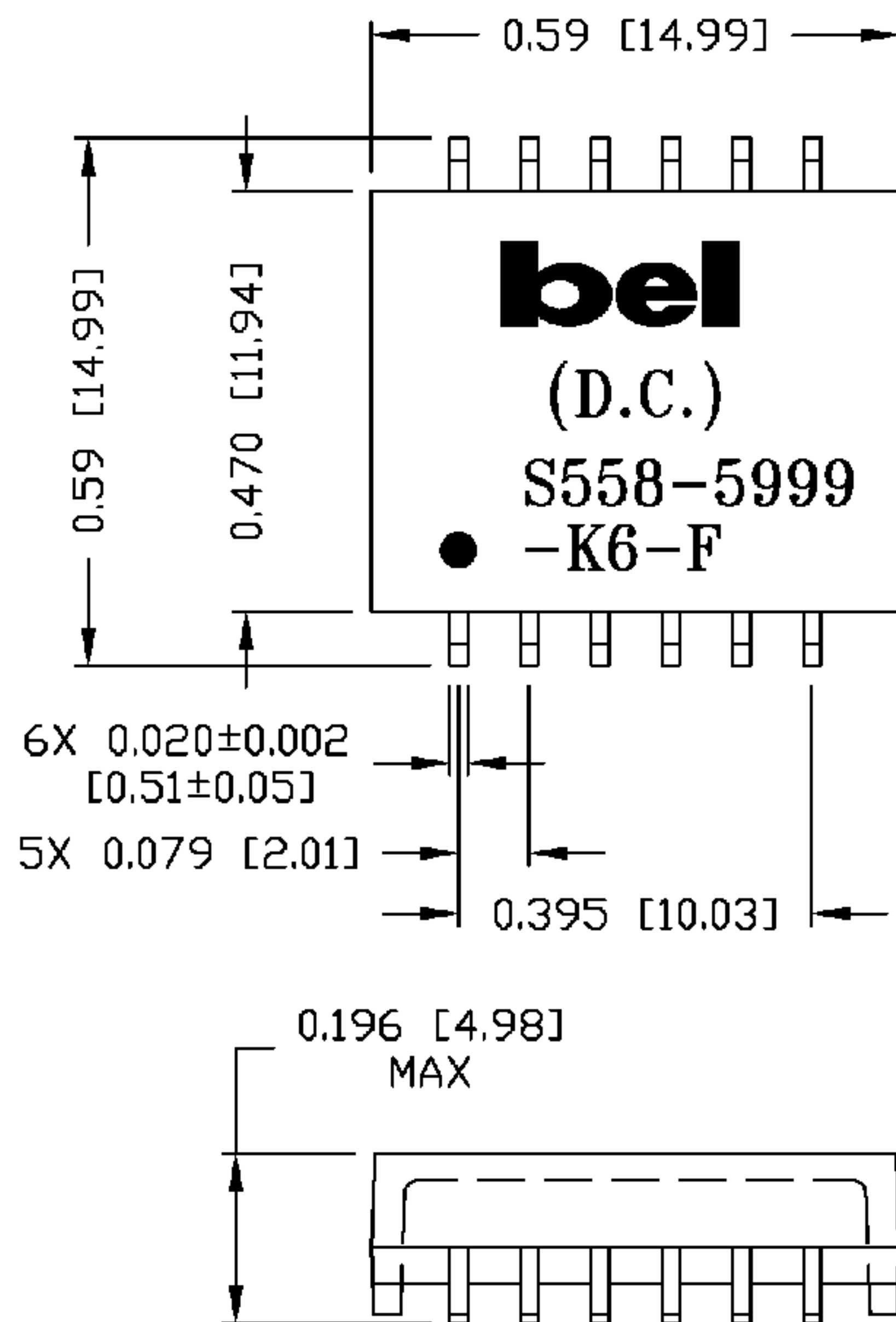


THE INFORMATION CONTAINED HEREIN IS CONSIDERED "PROPRIETARY" TO BEL FUSE INC. AND SHALL NOT BE COPIED, REPRODUCED OR DISCLOSED WITHOUT THE WRITTEN APPROVAL OF BEL FUSE INC.

RoHS  
2002/96/EC



SUGGESTED PCB PAD LAYOUT



NOTES:

1. STANDARD MARKING REFER TO DDC. HAND-WORK-04.
2. PACKAGE CODE: "RTS001".

ORIGINATED BY	DATE	TITLE	PART NO. / DRAWING NO.	STANDARD DIM. TOL. IN INCH	[ ] METRIC DIM. AS REFERENCE	 COMPONENTS FOR A CONNECTED PLANET	
HD	06-07-05	MECHANICAL OUTLINE S558-5999-K6-F	X5585999K6-F	.X	UNIT : INCH [mm]		REV. : A
DRAWN BY	DATE		FILE NAME	.XX ±0.01	SCALE : N/A		SIZE : A4
DQ Chen	06-07-05		X5585999K6FA.DWG	.XXX ±0.005			PAGE : 3