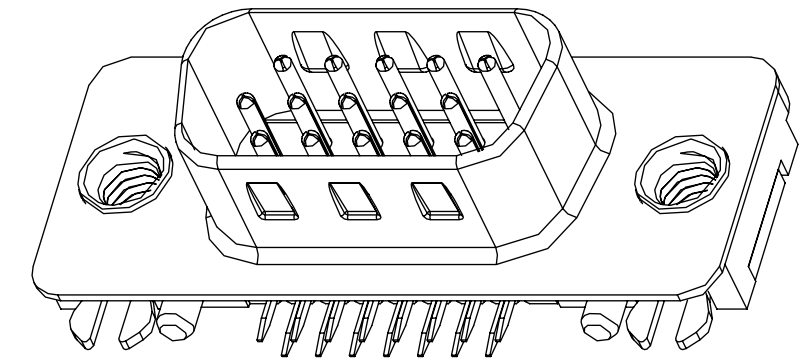
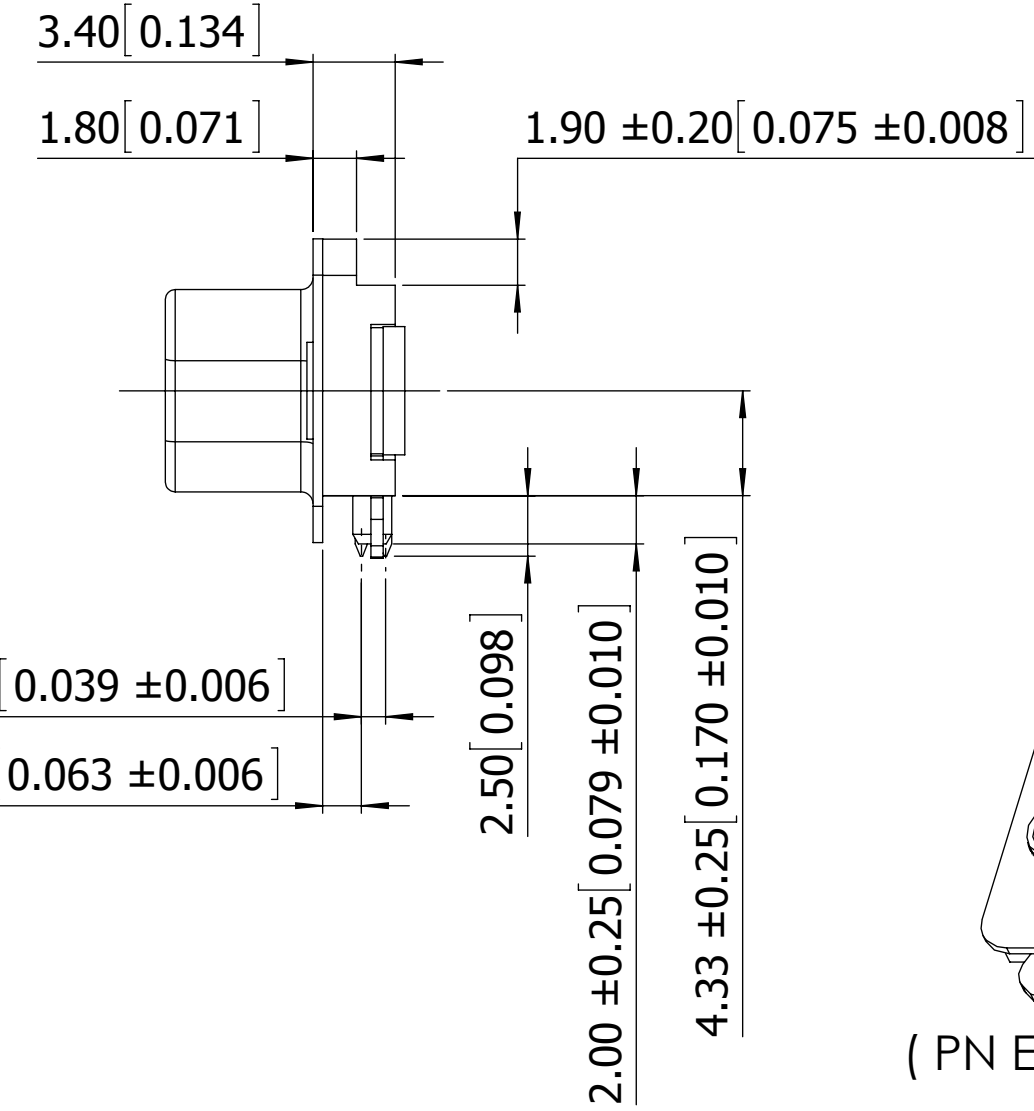
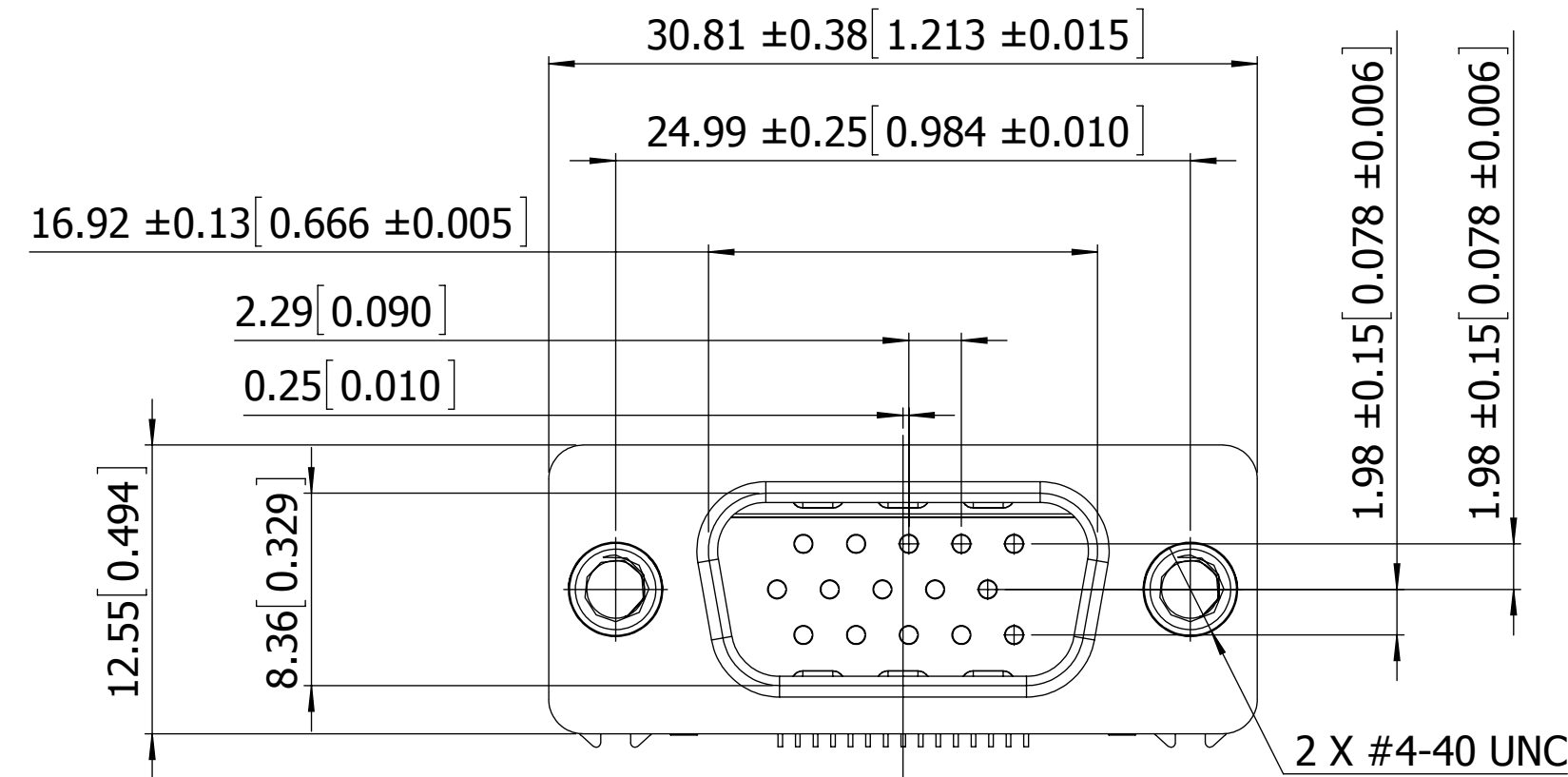
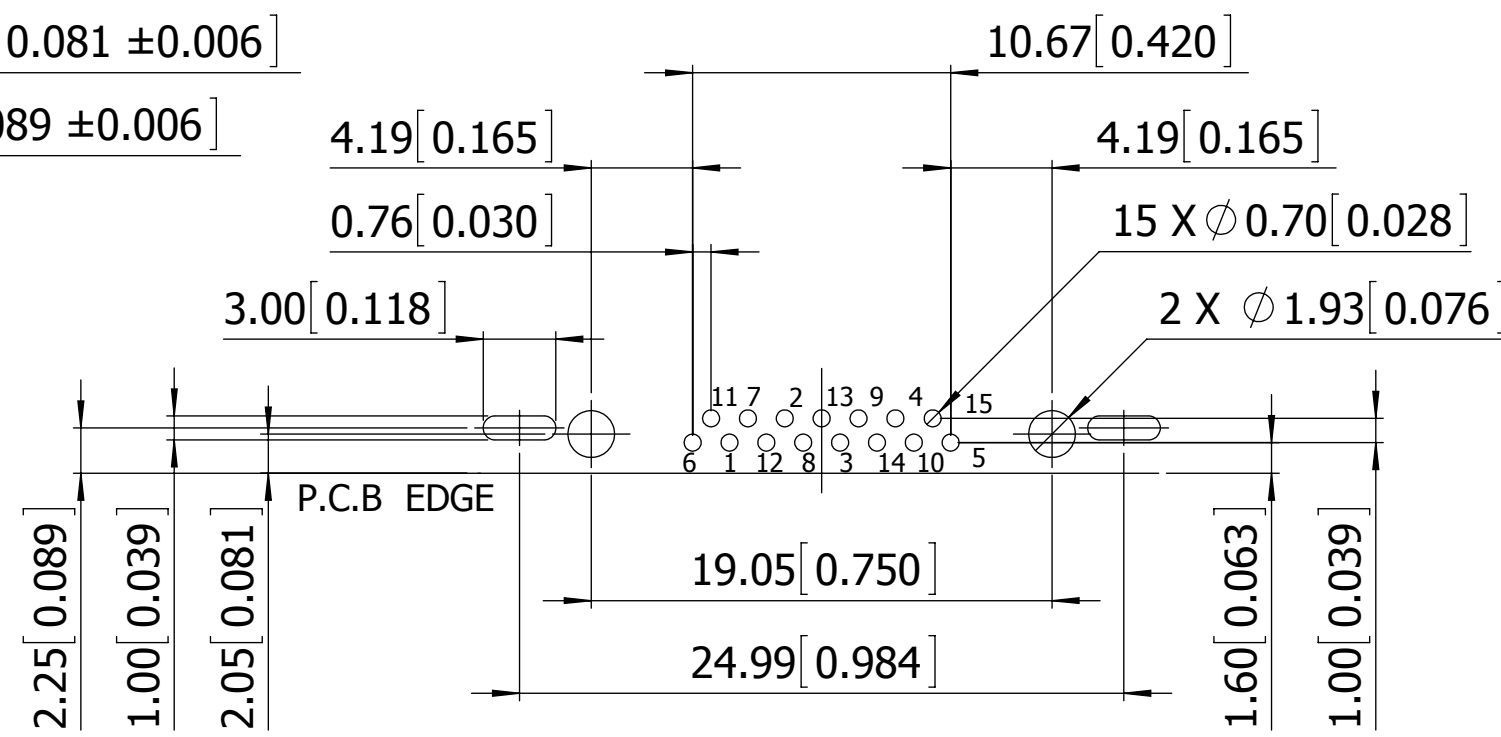
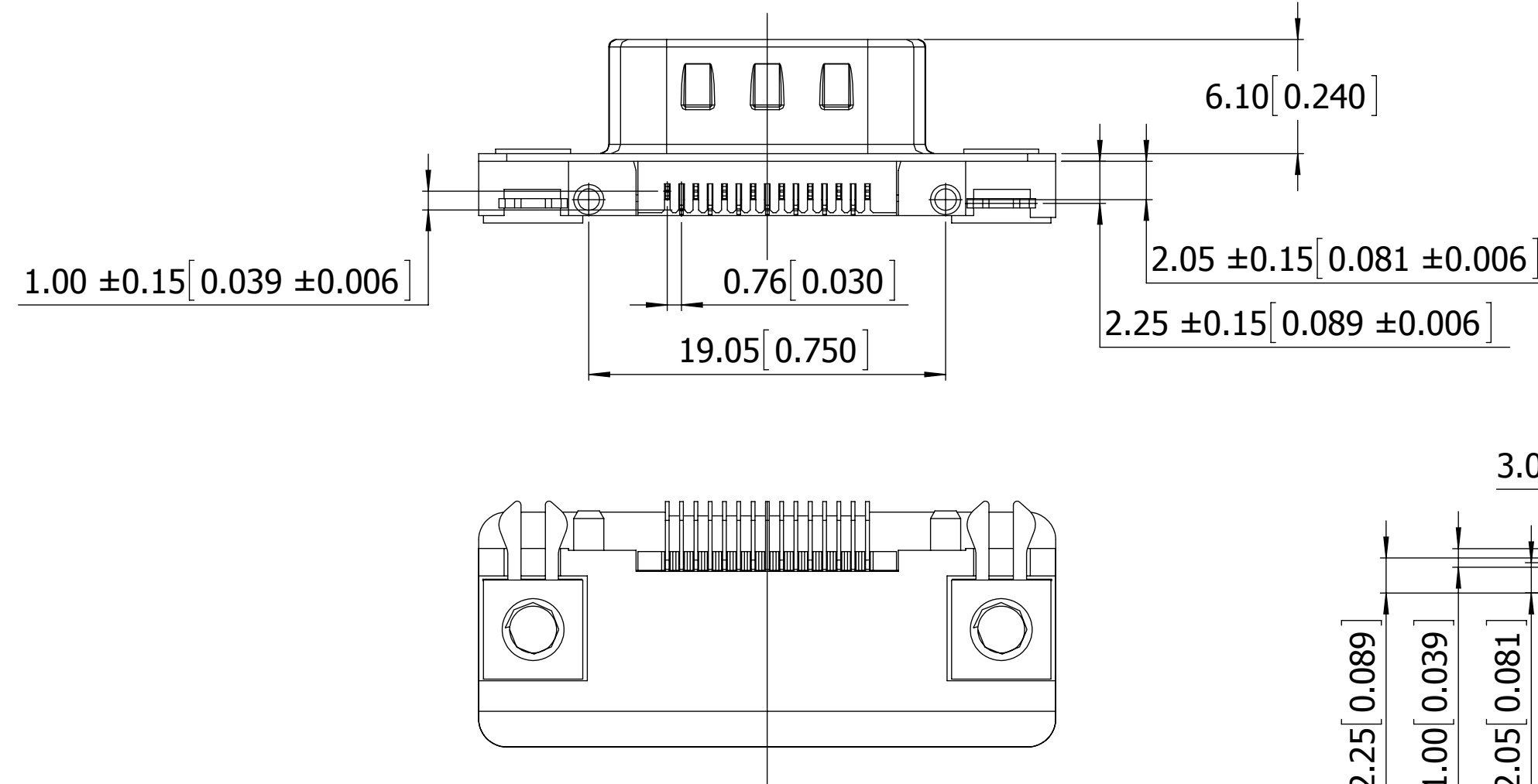


REVISIONS				
REV.	ECO. NO	DESCRIPTION	DATE	BY
A	2398	INITIAL RELEASE	07/01/2011	LH
B	2477	REMOVE DIM 1.10mm FROM FRONT VIEW ON PAGE 1, CLARIFY RS DIM 1.00mm ON RIGHT VIEW ON PAGE1	12/12/2011	LH
C	2576	UPDATE PART NUMBER CODING	05/10/2012	LH



( PN EXAMPLE: SDS224-PRW2-M15-SN13-2 )



**RECOMMENDED PCB LAYOUT**

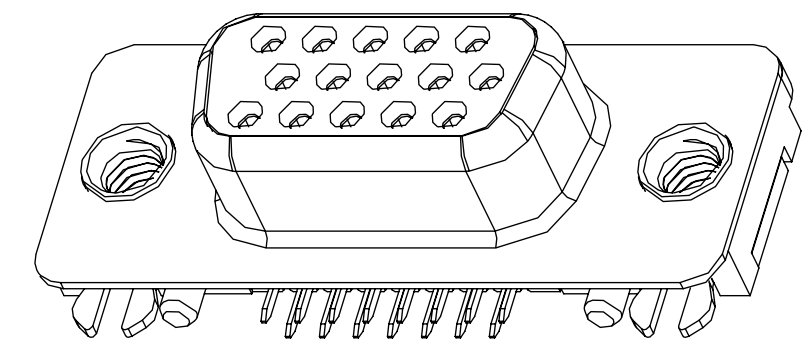
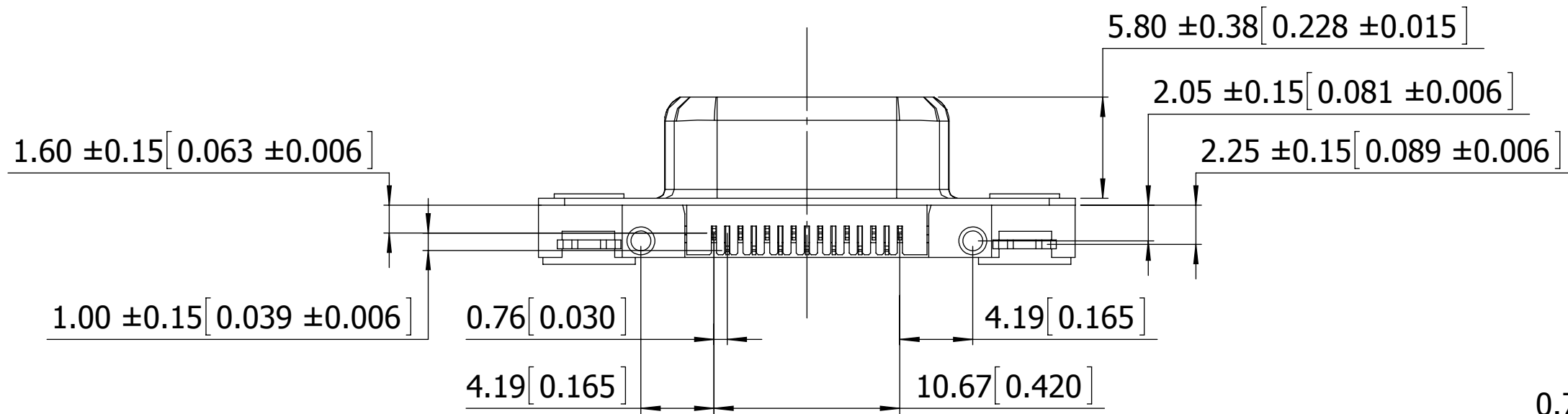
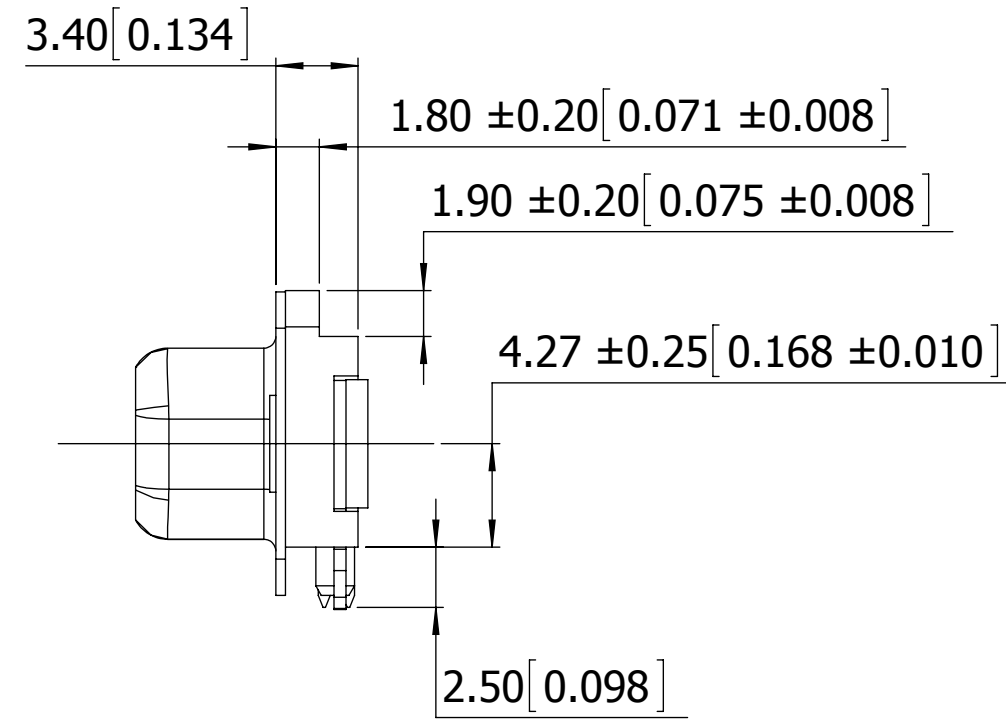
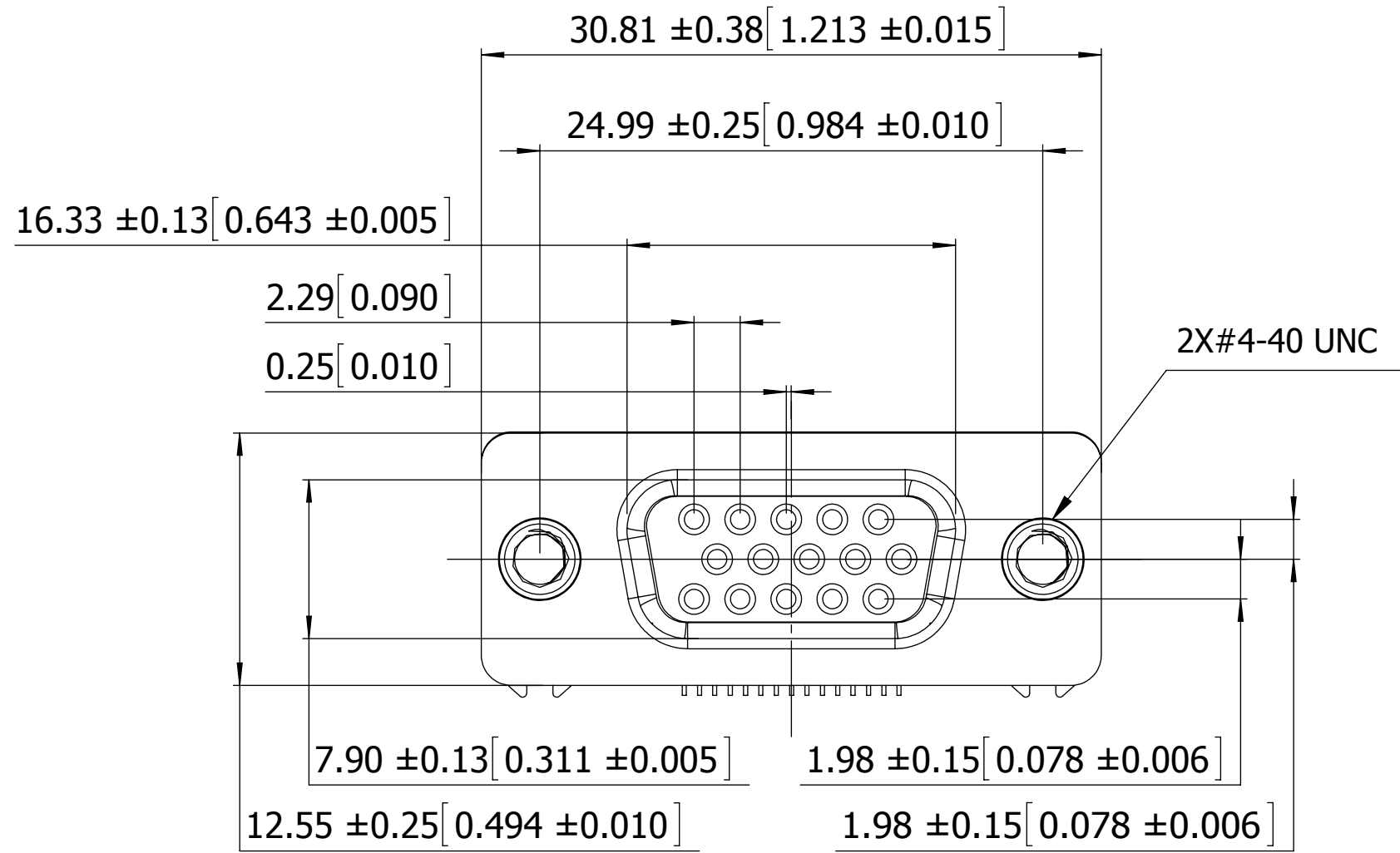
**NOTES:**

**MATERIAL**  
 INSULATOR : GLASS-FILLED THERMOPLASTIC PBT, UL94V-0  
 CONTACT: BRASS  
 SHELL : SPCC, .000100" TIN OVER .000050" MIN. COPPER (STANDARD , SEE PAGE 3)  
 CLINCH NUT : BRASS, NICKEL PLATED  
 BOARDLOCK : BRASS, TIN PLATED  
 SCREWLOCK : STEEL, NICKEL PLATED  
 OPERATING TEMPERATURE : -55°C TO +105°C

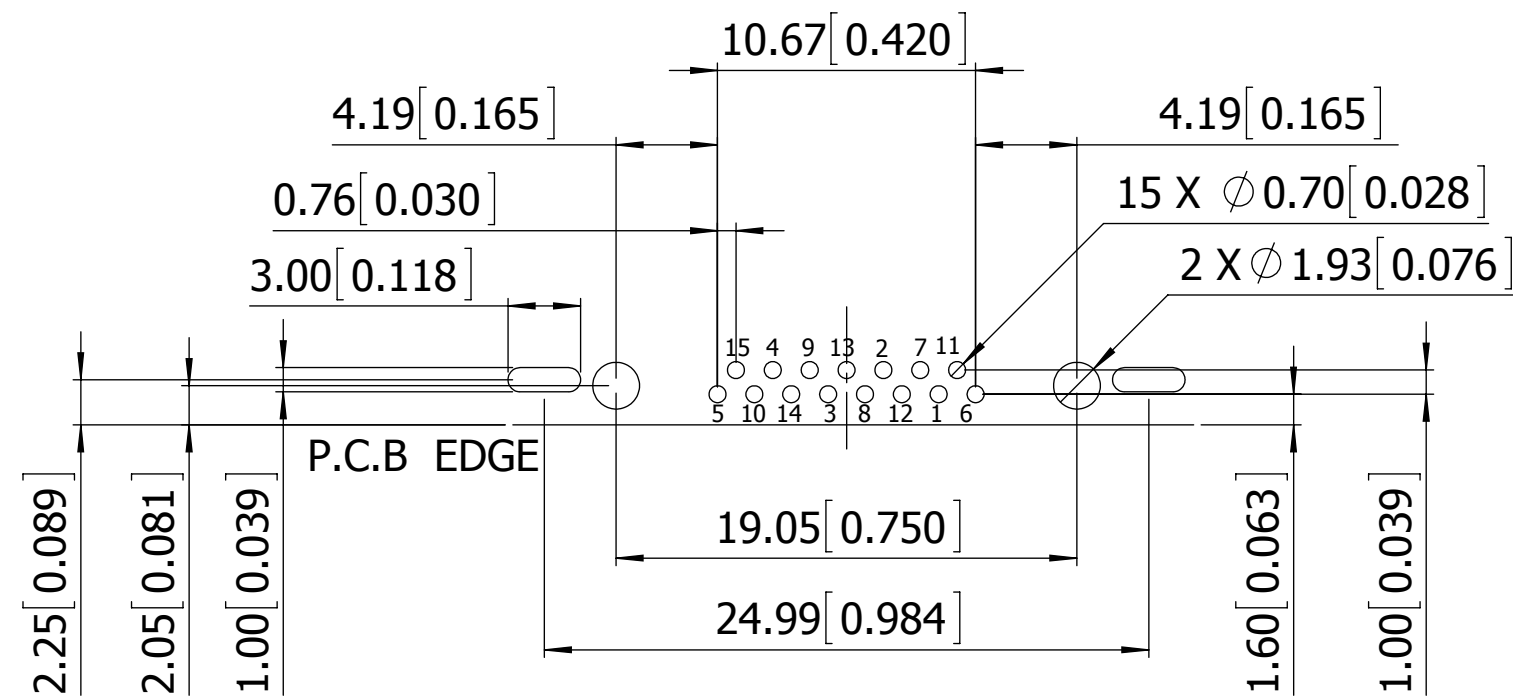
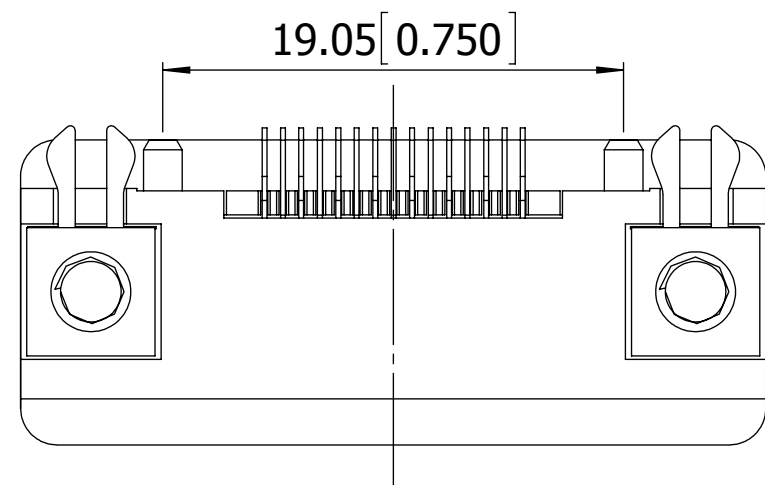
**ELECTRICAL**  
 CONTACT RESISTANCE : 20 MILLIOHMS MAX AT 1 AMP DC  
 INSULATION RESISTANCE : 1000 MAGOHMS AT 500 VDC  
 DIELECTRIC WITHSTANDING VOLTAGE : 1000 VAC/RMS 60Hz FOR 1 MINUTE  
 CURRENT RATING : 3 AMPS  
 VOLATGE RATING : 250 VAC/RMS 60Hz



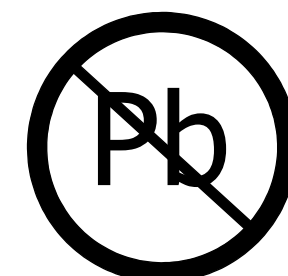
UNLESS OTHERWISE SPECIFIED: DIMENSIONS ARE IN MM [INCHES]	DRAWN	DATE	NAME	
		07/01/2011	LH	
TOLERANCES: ANGULAR: ± 3° DECIMALS X.= ± 0.38 [.015] X.= ± 0.25 [.010] .XX= ± 0.13 [.005]	<small>THE INFORMATION HEREIN CONTAINS PROPRIETARY INFORMATION OF SULLINS ELECTRONICS AND IS NOT TO BE REPRODUCED, USED OR DISCLOSED TO OTHERS FOR ANY PURPOSE EXCEPT AS SPECIFICALLY AUTHORIZED IN WRITING BY AN OFFICER OF SULLINS ELECTRONICS.</small>			TITLE
				224 SERIES D-SUB H.D. RIGHT ANGLE SLIM TYPE
PART NUMBER				SDS224-PRW _ _ 15-SN _ _ _
SIZE	CAGE CODE	DWG. NO.	REV	
C	54453	11804	C	
SCALE: 1:8			SHEET 1 OF 3	



( PN EXAMPLE: SDS224-PRW2-F15-SN13-2 )



**RECOMMENDED PCB LAYOUT**



RoHS COMPLIANT

UNLESS OTHERWISE SPECIFIED: DIMENSIONS ARE IN MM [INCHES]	DRAWN	DATE	NAME	
		07/01/2011	LH	
TOLERANCES: ANGULAR: ± 3° DECIMALS X.= ± 0.38 [.015] X.= ± 0.25 [.010] .XX= ± 0.13 [.005]	<small>THE INFORMATION HEREIN CONTAINS PROPRIETARY INFORMATION OF SULLINS ELECTRONICS AND IS NOT TO BE REPRODUCED, USED OR DISCLOSED TO OTHERS FOR ANY PURPOSE EXCEPT AS SPECIFICALLY AUTHORIZED IN WRITING BY AN OFFICER OF SULLINS ELECTRONICS.</small>			TITLE
				<b>224 SERIES D-SUB H.D. RIGHT ANGLE SLIM TYPE</b> PART NUMBER SDS224-PRW _ _ 15-SN _ _
	SIZE	CAGE CODE	DWG. NO.	REV
	C	54453	11804	C
	SCALE: 1:8			SHEET 2 OF 3

# SDS224-PRW \_ - \_ 15 -S N \_ - - \_

a b c d e f g h i

**a. CONTACT PLATING**

W = .000050" NICKEL UNDERPLATE  
 GOLD FLASH ON CONTACT SURFACE,  
 .000100" PURE TIN ON TERMINATION.

**b. SHELL PLATING**

1 = NICKEL  
 2 = TIN (STANDARD)

**c. CONTACT TYPE**

M = MALE  
 F = FEMALE

**d. NO. OF CONTACTS**

15 = 15 POSITIONS

**e. PIN TYPE**

S = STAMPED PIN

**f. FERRITE**

N = WITHOUT FERRITE

**g. FLANGE MOUNTING OPTION**

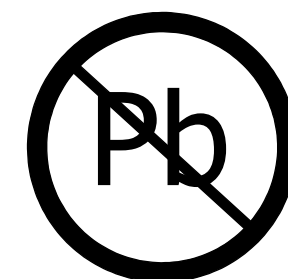
0 = Ø3.05mm [Ø0.120] CLEARANCE HOLE  
 1 = #4-40 FEMALE THREAD  
 2 = #4-40 UNC (4.8 X 11.8 mm [0.19 X 0.46]) FEMALE SCREWLOCK INSTALLED  
 3 = #4-40 UNC (4.8 X 11.8 mm [0.19 X 0.46]) FEMALE SCREWLOCK BULK-PACKED

**h. RIVET OPTIONS**

0 = NONE  
 3 = GROUNDING HOOK BOARDLOCK+2 PRONG

**i. INSULATOR COLOR**

1 = BLACK  
 2 = BLUE (STANDARD)



RoHS COMPLIANT

UNLESS OTHERWISE SPECIFIED: DIMENSIONS ARE IN MM [INCHES]		DRAWN	DATE	NAME		
			07/01/2011	LH		
TOLERANCES: ANGULAR: ± 3°  DECIMALS X.= ± 0.38 [.015] X.= ± 0.25 [.010] .XX= ± 0.13 [.005]		THE INFORMATION HEREIN CONTAINS PROPRIETARY INFORMATION OF SULLINS ELECTRONICS AND IS NOT TO BE REPRODUCED, USED OR DISCLOSED TO OTHERS FOR ANY PURPOSE EXCEPT AS SPECIFICALLY AUTHORIZED IN WRITING BY AN OFFICER OF SULLINS ELECTRONICS.			TITLE <b>224 SERIES D-SUB H.D. RIGHT ANGLE SLIM TYPE</b>	
		PART NUMBER <b>SDS224-PRW _ - _ 15-SN _ - - _</b>			SIZE	CAGE CODE
				<b>C</b>	<b>54453</b>	<b>11804</b>
		SCALE: 1:8		REV <b>C</b>		
				SHEET 3 OF 3		