

Description

The Si4624 single-chip digital receiver is a 100% CMOS digital radio broadcast receiver IC from Silicon Labs. It provides significant advances in size, power consumption, and performance to enable DAB/DAB+ data services reception in automotive infotainment systems and car radios.

The Si4624 offers a complete and cost-effective platform to support global analog VHF Band II and digital VHF Band III radio standards by integrating multiband RF tuner, demodulator, and channel decoder on a single die. The high level of integration and complete system production test simplifies design-in, increases system quality, and improves reliability and manufacturability.

The Si4624 incorporates a fully integrated decoder for the European Radio Data System (RDS) and the North American Radio Broadcast Data System (RBDS), including all required symbol decoding, block synchronization, error detection, and error correction functions.

The Si4624 additionally supports digital DAB and DAB+ data reception, incorporating digital channel demodulation and decoding functions.

Leveraging Silicon Laboratories' proven and patented digital low intermediate frequency (Low-IF) receiver architecture, the Si4624 delivers superior RF performance and interference rejection. The solution offers auto-calibrated digital tuning, and proven FM seek functionality based on multiple signal quality and band parameters. In addition, the Si4624 provides an integrated clock oscillator or accepts a reference clock and supports a selectable control interface (SPI or I²C).

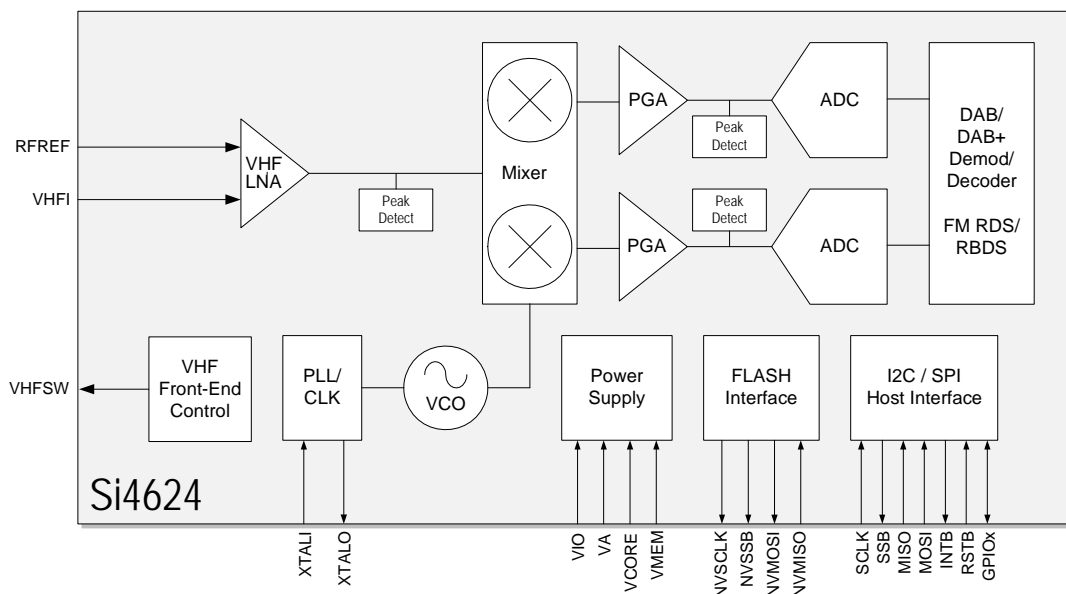
The Si4624 receiver system requires a minimal bill of materials and offers low power consumption, making the solution ideal for today's infotainment systems.

Features

- Worldwide FM band support (76–108 MHz)
- Advanced RDS/RBDS decoder
- DAB/DAB+ Band III support (168–240 MHz)
- Supports WorldDMB Receiver Profiles I, II, III, and IV
- Integrated SRAM supporting time and frequency de-interleaving
- Advanced seek functionality
- Full range of analog and digital signal quality metrics
- Fully-integrated VCO/PLL/synthesizer
- Fully-integrated advanced AGC and alignment
- Flash memory interface for application program load
- SPI, I²C control interfaces
- 7x7 mm 48-pin QFN package
- Pb-free/RoHS compliant
- AEC-Q100 qualified

Applications

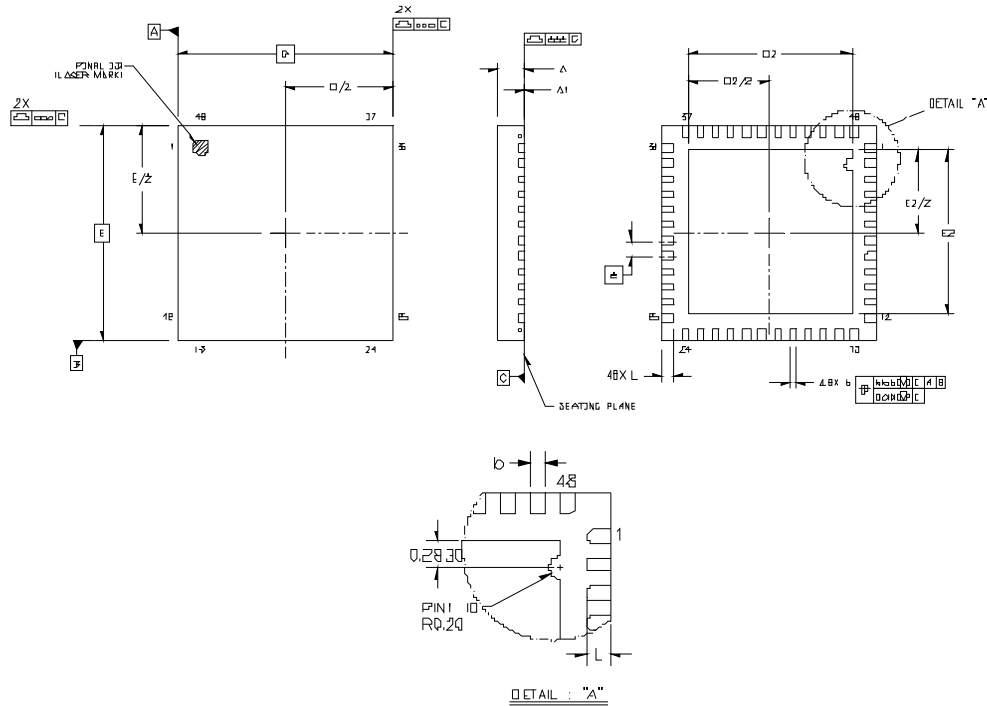
- OEM automotive infotainment systems
- Aftermarket car radio systems
- OEM automotive PND docking systems



Selected Electrical Specifications

Parameter	Symbol	Test Condition	Min	Typ	Max	Unit
FM Input Frequency	F_{rf}		76	—	108	MHz
DAB Input Frequency			168	—	240	MHz
Analog Supply Voltage	V_A	—	1.71	1.8	2.0	V
Interface Supply Voltage	V_{IO}	—	1.62	1.8	3.6	V
Core Digital Supply Voltage	V_{CORE}	—	1.62	1.8	2.0	V
Memory Supply Voltage	V_{MEM}	—	1.62	1.8	2.0	V

Si4624-A10



Dimension	Min	Nom	Max
A	0.80	0.85	0.90
A1	0.00	0.02	0.05
b	0.18	0.25	0.30
D		7.00 BSC	
D2	5.20	5.30	5.40
e		0.50 BSC	
E		7.00 BSC	
E2	5.20	5.30	5.40
L	0.30	0.40	0.50
aaa		0.15	
bbb		0.10	
ddd		0.05	
eee		0.08	

Notes:

- All dimensions are shown in millimeters (mm) unless otherwise noted.
- Dimensioning and Tolerancing per ASME Y14.5M-1994.
- This drawing conforms to the JEDEC Solid State Outline MO-220, Variation VKKD-4.
- Recommended card reflow profile is per the JEDEC/IPC J-STD-020 specification for Small Body Components.



Smart.
Connected.
Energy-Friendly



Products
www.silabs.com/products



Quality
www.silabs.com/quality



Support and Community
community.silabs.com

Disclaimer

Silicon Laboratories intends to provide customers with the latest, accurate, and in-depth documentation of all peripherals and modules available for system and software implementers using or intending to use the Silicon Laboratories products. Characterization data, available modules and peripherals, memory sizes and memory addresses refer to each specific device, and "Typical" parameters provided can and do vary in different applications. Application examples described herein are for illustrative purposes only. Silicon Laboratories reserves the right to make changes without further notice and limitation to product information, specifications, and descriptions herein, and does not give warranties as to the accuracy or completeness of the included information. Silicon Laboratories shall have no liability for the consequences of use of the information supplied herein. This document does not imply or express copyright licenses granted hereunder to design or fabricate any integrated circuits. The products must not be used within any Life Support System without the specific written consent of Silicon Laboratories. A "Life Support System" is any product or system intended to support or sustain life and/or health, which, if it fails, can be reasonably expected to result in significant personal injury or death. Silicon Laboratories products are generally not intended for military applications. Silicon Laboratories products shall under no circumstances be used in weapons of mass destruction including (but not limited to) nuclear, biological or chemical weapons, or missiles capable of delivering such weapons.

Trademark Information

Silicon Laboratories Inc., Silicon Laboratories, Silicon Labs, SiLabs and the Silicon Labs logo, CMEMS®, EFM, EFM32, EFR, Energy Micro, Energy Micro logo and combinations thereof, "the world's most energy friendly microcontrollers", Ember®, EZLink®, EZMac®, EZRadio®, EZRadioPRO®, DSPLL®, ISOmodem®, Precision32®, ProSLIC®, SiPHY®, USBXpress® and others are trademarks or registered trademarks of Silicon Laboratories Inc. ARM, CORTEX, Cortex-M3 and THUMB are trademarks or registered trademarks of ARM Holdings. Keil is a registered trademark of ARM Limited. All other products or brand names mentioned herein are trademarks of their respective holders.



Silicon Laboratories Inc.
400 West Cesar Chavez
Austin, TX 78701
USA

<http://www.silabs.com>