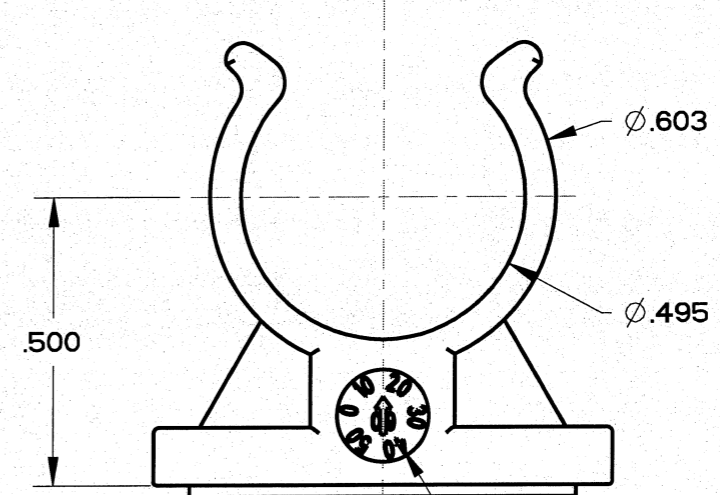
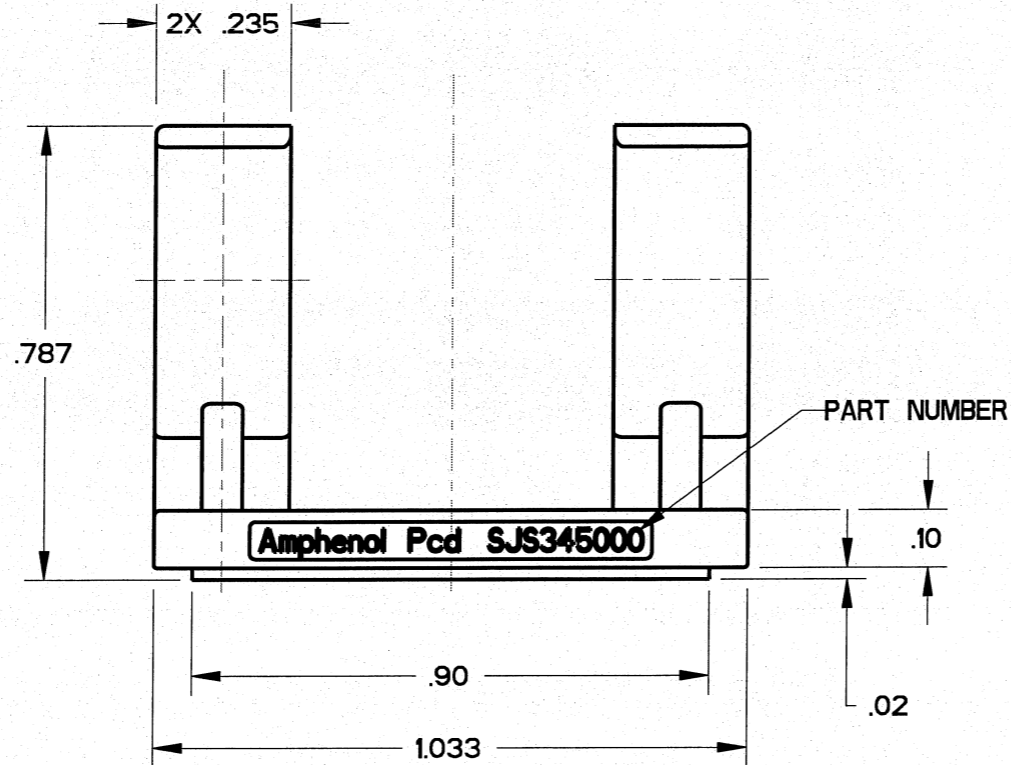
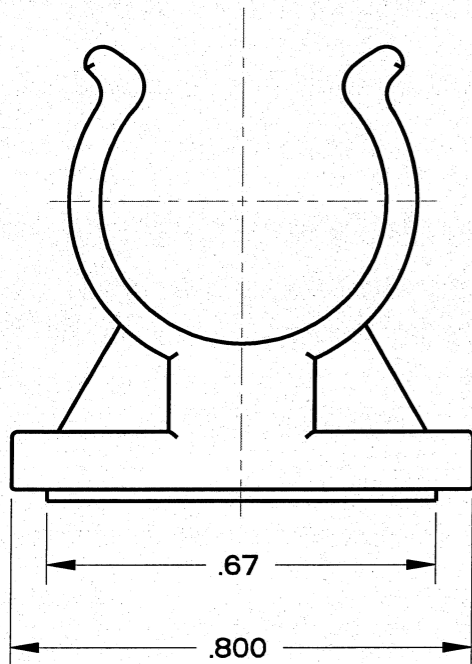
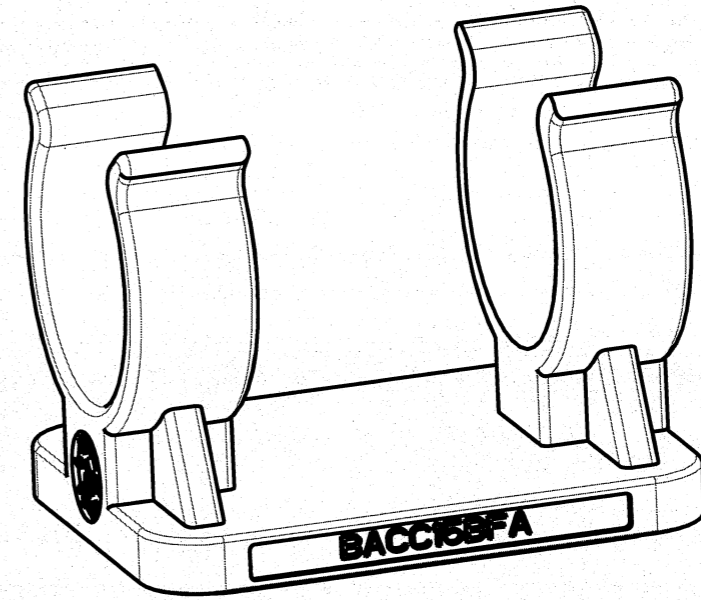
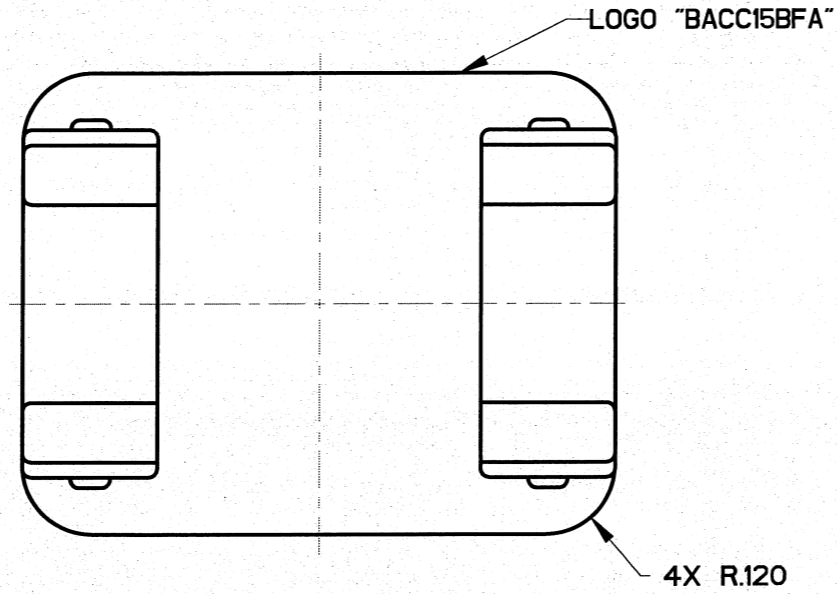


SJS345000

REV	ECN	APP'D
A	6351	JT 9/11/09
B	6441	JT 4/3/09



DATE CODE
ARROW CHARACTERS: YY (YEAR)
OUTER CHARACTERS: WW (WEEK)

- NOTES:
1. MATERIALS:
MOUNTING SMALL CRADLE : PA6/6
ADHESIVE TAPE: 3M 5958FR VHB
2. WEIGHT: 2.7 GRAMS

DIMENSIONS ANSI Y14.5M UNITS: INCHES Pro/E FILE	TOLERANCES .XX ±0.01 .XXX ±0.005 ANGLES ±1.0°	PROJECTION 	Amphenol Pcd SPECIFICATION DRAWING		TITLE BACC15BFA MOUNTING CRADLE, SHELL SIZE A WITH ADHESIVE TAPE				
			ENGR Frank.Li	29-Apr-09	SIZE B	DWG NO. SJS345000_CE	REV B		
ORIGINAL 	THIS DOCUMENT CONTAINS PROPRIETARY INFORMATION WHICH IS THE CONFIDENTIAL PROPERTY OF AMPHENOL PCD INC., BEVERLY, MA		CHKD 	11/3/09	APPD 	11/3/09	CODE: 58982	SCALE: 3:1	SHEET 1 OF 1

SJS345000

SJS345000