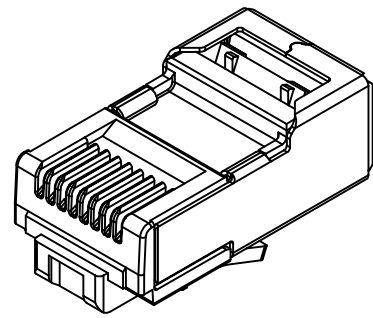
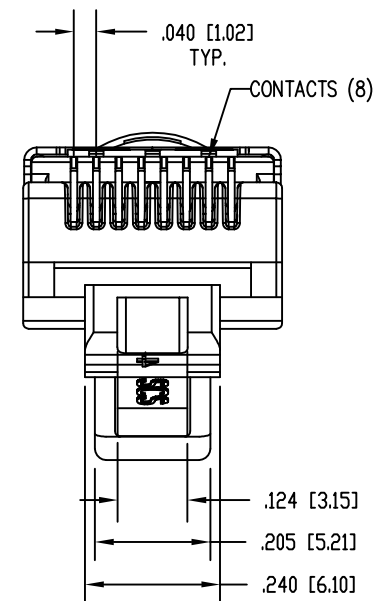
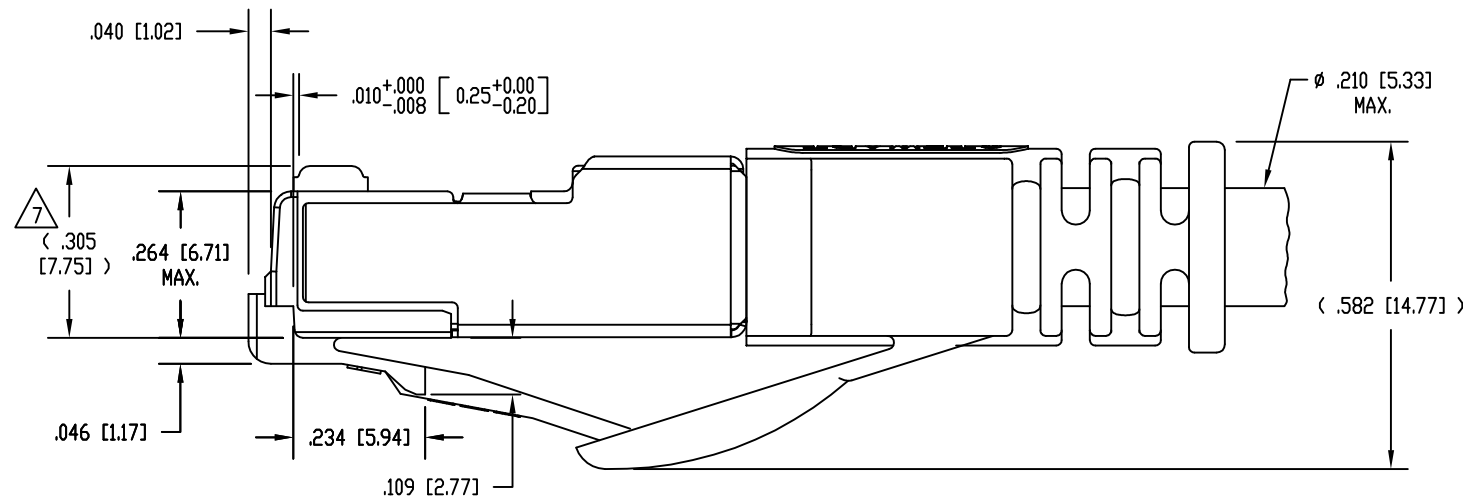
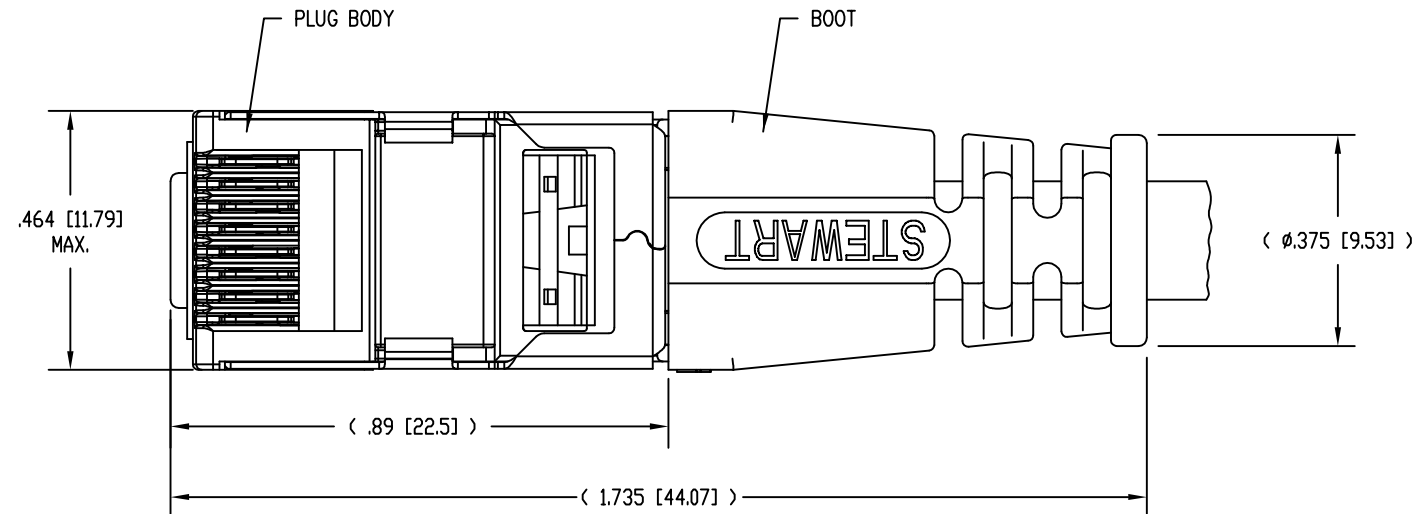


DATE	REV	ECN	APP'D. BY
2-12-16	A0	-	-



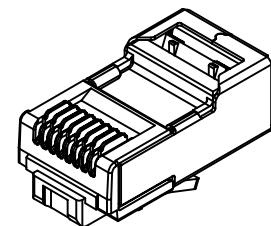
ISOMETRIC VIEW OF TERMINATED PLUG



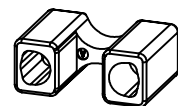
NOTES:

- PLUG KIT CONSISTS OF:  
PRE-INSERTED PLUG BODY WITH SHIELD  
LOAD BAR  
WIRE ALIGNER  
BOOT
  - MATERIALS:  
PLUG BODY: CLEAR POLYCARBONATE, UL 94-V0  
LOAD BAR: YELLOW POLYCARBONATE, UL 94-V0  
WIRE ALIGNER: CLEAR POLYCARBONATE, UL 94-V0  
BOOT: CLEAR POLYCARBONATE, UL 94-V0  
CONTACTS: COPPER ALLOY, SELECTIVE GOLD PLATING  
SHIELD: COPPER ALLOY, NICKEL PLATE
  - FOR PRODUCT SPECIFICATION SEE PR026-01.
  - CONTACTS TERMINATE SOLID OR STRANDED CONDUCTORS BETWEEN .028 [0.71] TO .033 [0.84] OUTSIDE DIAMETER OF INSULATION.
  - PRODUCT DESIGNED FOR CATEGORY 6A APPLICATIONS.
  - DIMENSIONS AND TOLERANCES COMPLY WITH TIA-1096 STANDARD FORMERLY FCC/CFR 47, PART 68.
- △ TERMINATED PLUG HEIGHT: .237 [6.02] ±.005 [0.13].

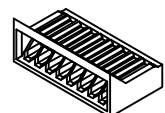
50 MICRO-INCHES [0.76um]	SS-39200-055
CONTACT PLATING IN MATING AREA	PART NUMBER



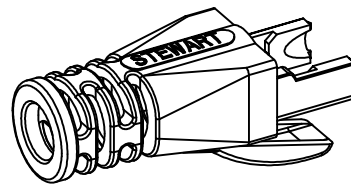
PRE-INSERTED  
PLUG BODY  
39200-332



WIRE ALIGNER  
39100-882



LOAD BAR  
39100-891



BOOT  
39100-888



THIRD ANGLE PROJECTION
DO NOT SCALE DRAWING DRAWING IS SUBJECT TO CHANGE WITHOUT NOTICE
DIMENSIONS: INCHES [METRIC]
UNLESS OTHERWISE SPECIFIED TOLERANCES ARE ±.005 [0.13] ANGLES ARE ± 1°
SHEET NO. 1 OF 1

	1118 Susquehanna Trail South Glen Rock, PA 17327-9199 (717) 235-7512 <a href="http://www.stewartconnector.com">http://www.stewartconnector.com</a>	
	<b>TITLE:</b> 8 CONDUCTOR, 8 POSITION SHIELDED CAT 6A PLUG KIT, FOR 28 AWG CONDUCTOR CABLE	
THIS DRAWING AND THE SUBJECT MATTER SHOWN THEREON ARE CONFIDENTIAL AND THE PROPRIETARY PROPERTY OF STEWART CONNECTOR AND SHALL NOT BE REPRODUCED, COPIED, OR USED IN ANY MANNER WITHOUT PRIOR WRITTEN CONSENT OF STEWART CONNECTOR. ONE OR MORE U.S. PATENTS MAY APPLY TO THIS PRODUCT. FOR DETAILS, PLEASE VISIT: <a href="http://BELFUSE.COM/STEWART/STEWART_PATENTS/">HTTP://BELFUSE.COM/STEWART/STEWART_PATENTS/</a>	<b>DRN BY:</b> TRM	<b>DATE:</b> 2-12-16
	<b>APPD BY:</b> DHG	<b>DATE:</b> 2-12-16
	<b>DWG NO.:</b> CT390159	<b>REV.:</b> A0