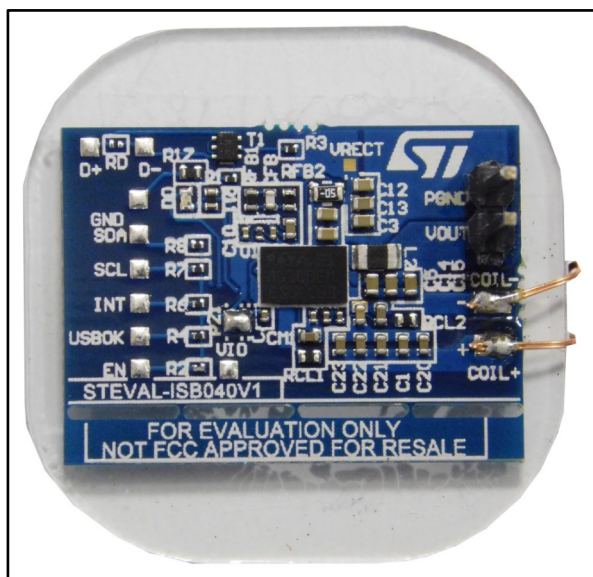


## 2.5 W wireless power receiver evaluation board based on STWLC03

Data brief



### Description

The STEVAL-ISB040V1 is a wireless receiver evaluation board based on the STWLC03 integrated wireless power receiver.

STWLC03 is focused on the 2.5 W protocol based on Qi; with digital control and precise analog control loops ensuring stable operation.

The STWLC03 wireless receiver allows tuning for a wide range of receiving coils, from small form factors to standard sizes.

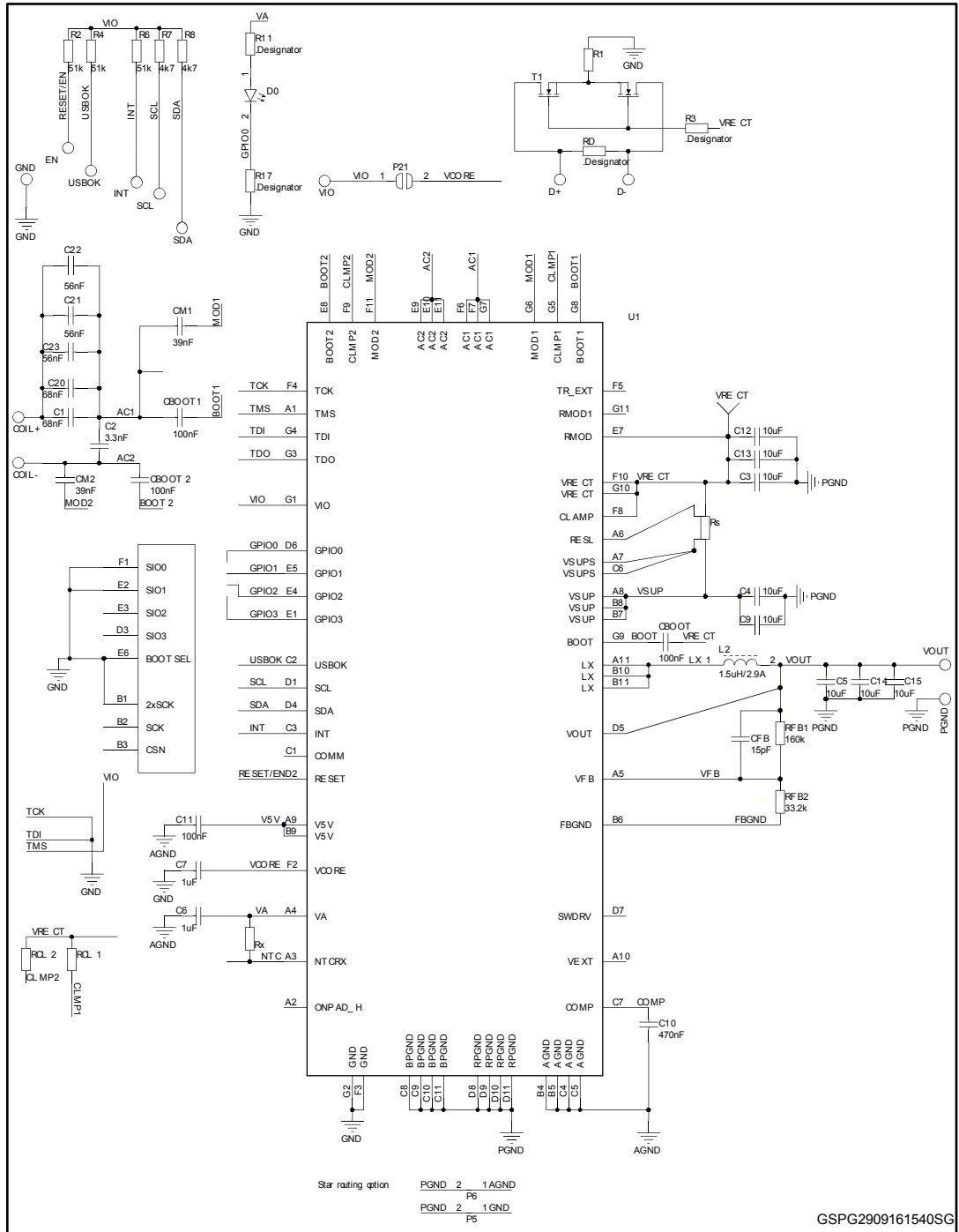
The I<sup>2</sup>C interface allows customizing device parameters, which can be saved in embedded non-volatile memory.

### Features

- Based on STWLC03 for wireless power receiver
- 2.5 W output power
- Integrated high efficiency synchronous rectifier
- 800 kHz programmable step-down converter with input current and input voltage regulation loops
- Qi 1.1.2 based communication protocol
- I<sup>2</sup>C interface
- Thermal protection
- Low power dissipative rectifier overvoltage clamp
- Suitable for wearable applications
- RoHS compliant

# 1 Schematic diagram

Figure 1: STEVAL-ISB040V1 circuit schematic



## 2 Revision history

Table 1: Document revision history

| Date        | Version | Changes          |
|-------------|---------|------------------|
| 09-Nov-2016 | 1       | Initial release. |

**IMPORTANT NOTICE – PLEASE READ CAREFULLY**

STMicroelectronics NV and its subsidiaries ("ST") reserve the right to make changes, corrections, enhancements, modifications, and improvements to ST products and/or to this document at any time without notice. Purchasers should obtain the latest relevant information on ST products before placing orders. ST products are sold pursuant to ST's terms and conditions of sale in place at the time of order acknowledgement.

Purchasers are solely responsible for the choice, selection, and use of ST products and ST assumes no liability for application assistance or the design of Purchasers' products.

No license, express or implied, to any intellectual property right is granted by ST herein.

Resale of ST products with provisions different from the information set forth herein shall void any warranty granted by ST for such product.

ST and the ST logo are trademarks of ST. All other product or service names are the property of their respective owners.

Information in this document supersedes and replaces information previously supplied in any prior versions of this document.

© 2016 STMicroelectronics – All rights reserved