

THIS DRAWING IS UNPUBLISHED. RELEASED FOR PUBLICATION  
 © COPYRIGHT copyright.d8Te- ALL RIGHTS RESERVED.

REVISIONS					
P	LTR	DESCRIPTION	DATE	DWN	APVD
B		ECR-16-010100 UPDATE NAME	14JUL2016	L.Z	X.X
B1		ECR-18-008476,ADD PCB LAYOUT	08JUN2018	G.W	C.W

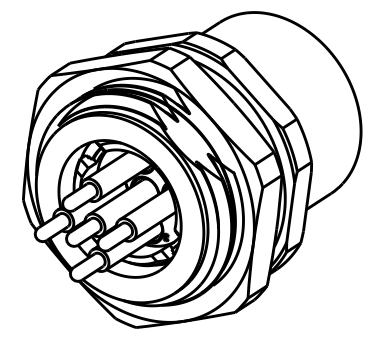
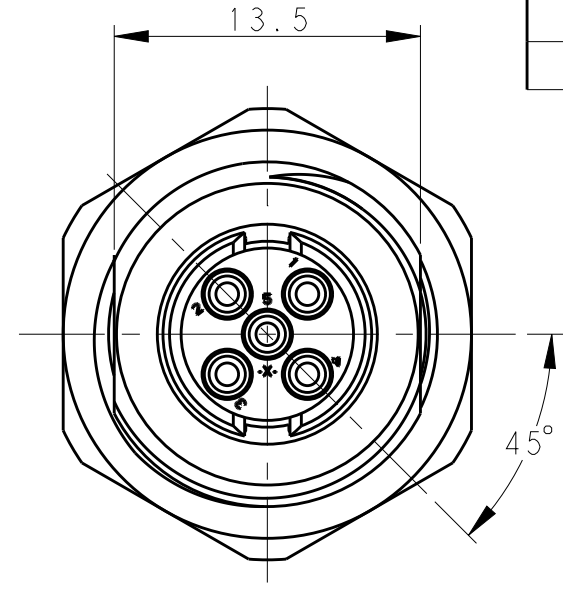
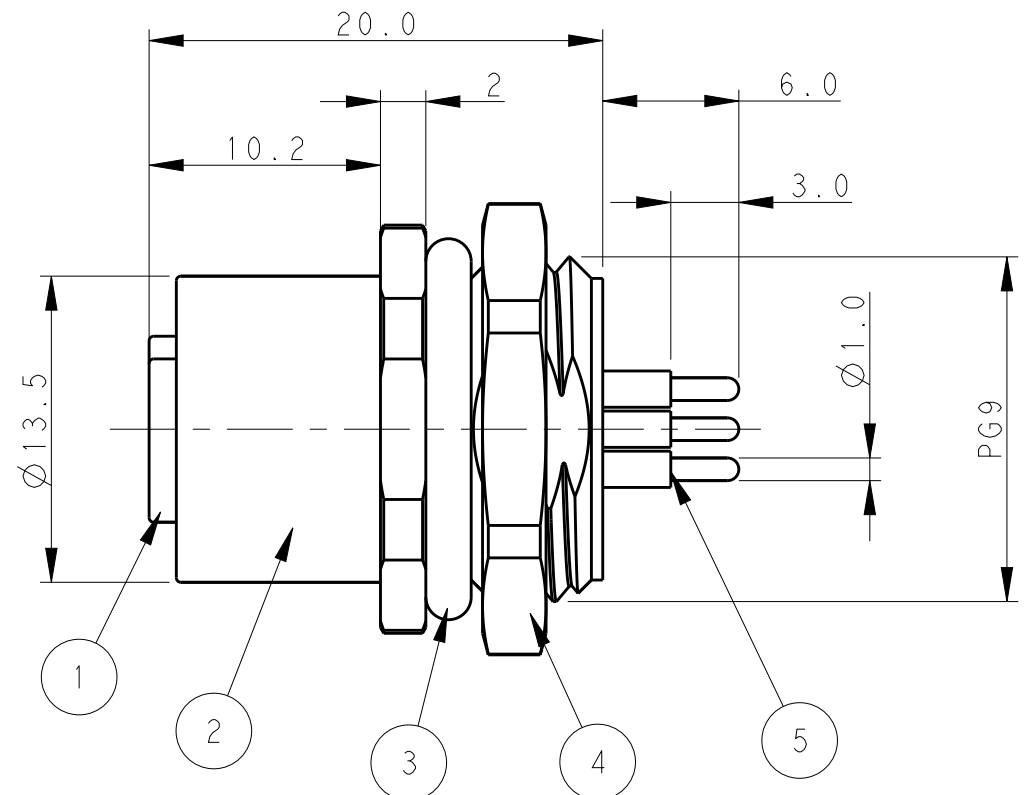
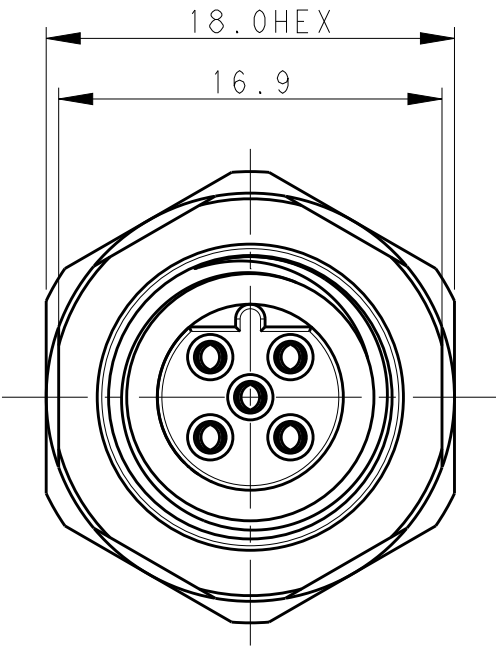
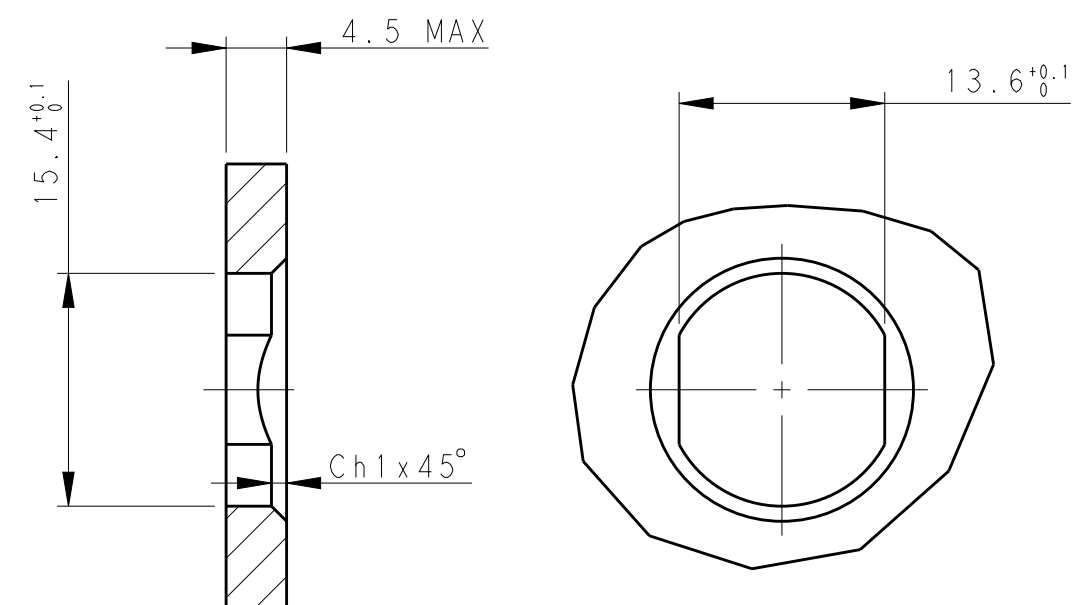


TABLE 1

TECHNICAL DATA	T4143412021-000	T4143412031-000	T4143412041-000	T4143412051-000
RATED VOLTAGE	250V	250V	250V	60V
RATED CURRENT	4A	4A	4A	4A
POLLUTION DEGREE	3	3	3	3
OVERVOLTAGE CATEGORY	II	II	II	II
MATERIAL GROUP	II	II	II	II
CONTACT RESISTANCE	<=10mΩ	<=10mΩ	<=10mΩ	<=10mΩ
INSULATION RESISTANCE	>100MΩ	>100MΩ	>100MΩ	>100MΩ
DEGREE OF PROTECTION	IP67	IP67	IP67	IP67
OPERATION TEMPERATURE	-40~85°C	-40~85°C	-40~85°C	-40~85°C



RECOMMENDED PANEL CUTOUT

NOTE:

1. TECHNICAL DATA: SEE TABLE 1
2. RECOMMENDED MOUNT PANEL SEE DETAIL
3. PRODUCT COMPLIES WITH IEC61076-2-101
4. PLASTIC INERT MATERIAL:UL LISTED WITH UL94V0 FLAME RATING
5. ALL MATERIALS TO BE ROHS COMPLIANT
6. ALL MATERIALS TO BE REACH COMPLIANT
7. PN INFORMATION FOR ASSEMBLY PARTS

注释:

- 1: 技术参数, 见表1
- 2: 推荐开孔尺寸详见如图所示
- 3: 产品符合标准 IEC61076-2-101
- 4: 塑胶材料符合UL标准, UL-94V0阻燃等级
- 5: 所有材料符合ROHS参照标准TEC-138-705
- 6: 所有材料符合REACH参照标准TEC-138-705
- 7: 成品料号信息如下:

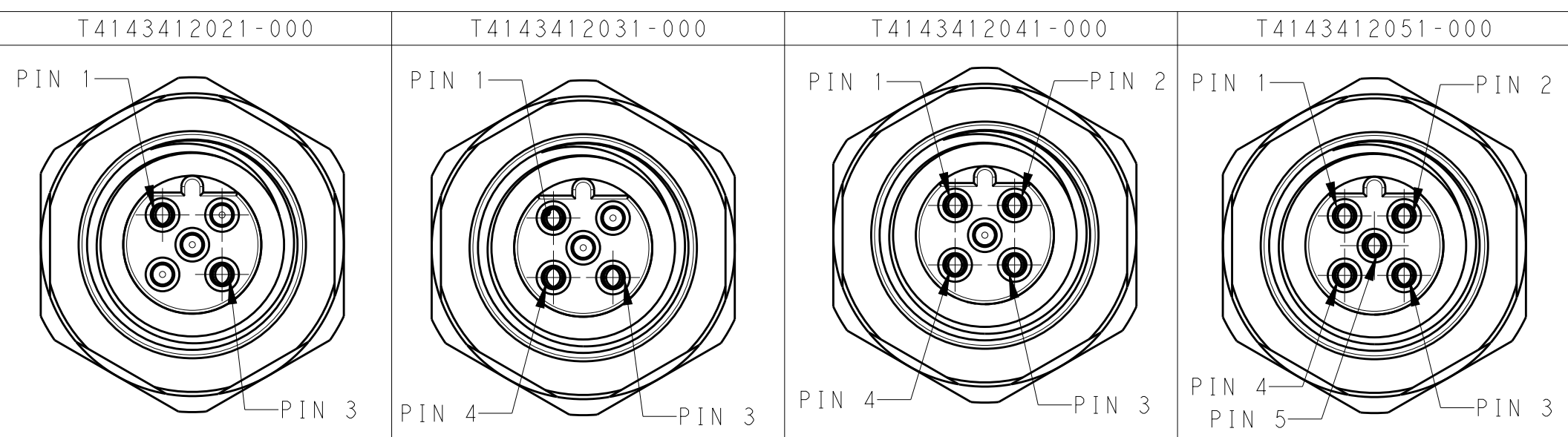
T41434120X1-000

- CONTACT FINISH:  
1: GOLD 3u''
- NUMBER OF PINS:  
02: 2 PINS  
03: 3 PINS  
04: 4 PINS  
05: 5 PINS

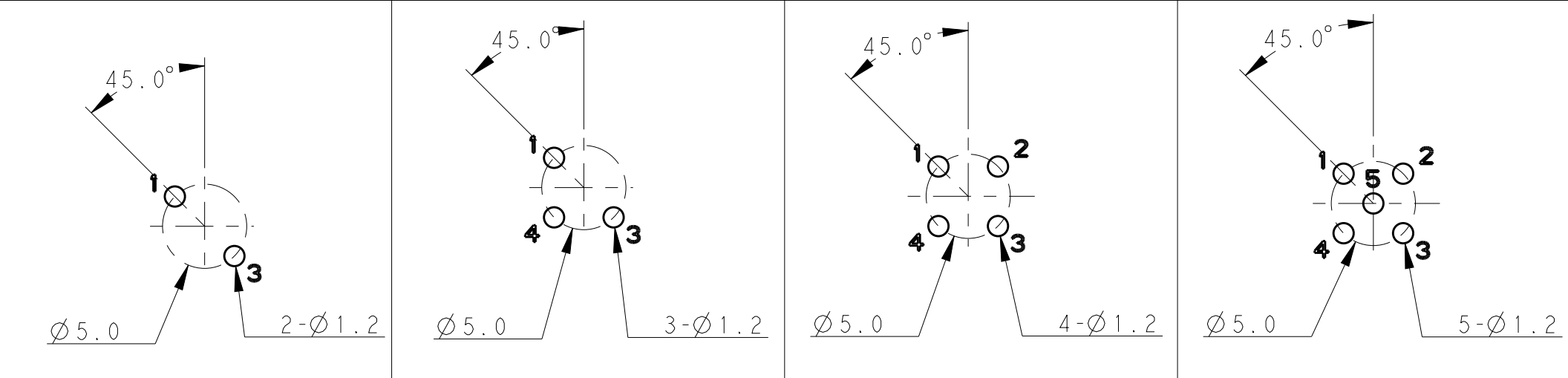
T41434120X1-000

- 端子电镀: 1: 3u''金
- 针数:  
02: 2 针  
03: 3 针  
04: 4 针  
05: 5 针

PIN ARRANGEMENT B-CODE



RECOMMENDED DRILLING DIAGRAM



T4143412021-000	RPC-M12B-FB-2CON-PG9-LBU
T4143412031-000	RPC-M12B-FB-3CON-PG9-LBU
T4143412041-000	RPC-M12B-FB-4CON-PG9-LBU
T4143412051-000	RPC-M12B-FB-5CON-PG9-LBU

PLATING	MATERIAL	DESCRIPTION	TYPE					
			ITEM	5	2	3	4	5
3u'' GOLD MIN.	COPPER ALLOY	CONTACT		5	2	3	4	5
200u'' NICKEL MIN.	COPPER ALLOY	METAL NUT		4	1	1	1	1
-	-	O-RING		3	1	1	1	1
200u'' NICKEL MIN.	COPPER ALLOY	M12, MALE, METAL BODY		2	1	1	1	1
-	PA66	M12, MALE HSG		1	1	1	1	1

THIS DRAWING IS A CONTROLLED DOCUMENT.		DWN BO GAO 18-06-08	<b>STE</b> TE Connectivity	
DIMENSIONS: mm		CHK KOBBY ZHAO 13-May-16		
TOLERANCES UNLESS OTHERWISE SPECIFIED:		APVD XIANG XU 13-May-16	NAME M12 PANEL MOUNT CONNECTOR B CODE, FEMALE, FRONT MOUNTING PCB SOLDERING	
0 PLC ±0.2		PRODUCT SPEC 108-106140	SIZE A2	
1 PLC ±0.2		APPLICATION SPEC 114-137144	CAGE CODE -	
2 PLC ±0.2		WEIGHT -	DRAWING NO. C-T41434120X1000	
3 PLC ±0.2		CUSTOMER DRAWING	RESTRICTED TO -	
4 PLC ±			SCALE 3:1 SHEET 1 OF 1 REV B1	
ANGLES FINISH				