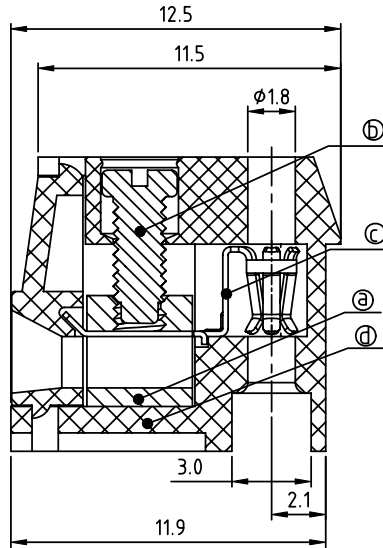
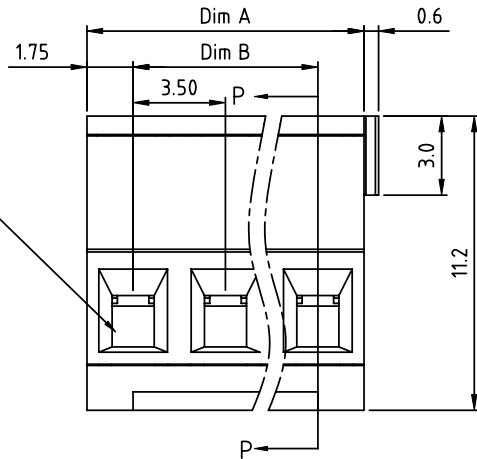
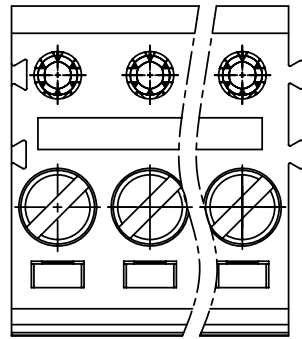


PRODUCT NUMBER	PITCH
TTxx21x000J0G	3.50 mm



Section P-P

Material

- Item ① Clamp: Brass(CuZn) Ni plated
- Item ② Terminal screw: Steel Zinc plating "-" slot type
- Item ③ Female contact :PhBz (CuSn) Tin plated
- Item ④ Terminal housing : Thermoplastic (UL94V-0)

Electrical cULus

- Voltage rating: 300V
- Current rating: 10A
- Wire range:
- Solid wire(AWG): 16-28
- Stranded wire(AWG): 16-28
- Torque: 1.7Lb-In
- Screw: M2
- Wire strip length: 5-6mm
- Withstanding Voltage: 1.6KV
- Operating temperature: -40°C to +115°C
- Safety approval:

PART NO.: TT xx 21 x 0 00J0 G

N=Number of poles
Dim A=NX3.5
Dim B=(N-1)X3.5

poles	Tolerance
2P-6p	±0.15
7P-12p	±0.20
13P-18p	±0.25
19P-24p	±0.30

	End Stackable	Body Color	RoHS compliant
0	0	Black (RAL9005)	(lead<4%)
2	2	Red (RAL3001/D)	In copper Alloy
3	3	Orange(RAL2011/P)	
4	4	Yellow(RAL1018/A)	
5	5	Green(RAL6018/T)	
6	6	Blue (RAL5015/A)	
8	8	Grey(RAL7035/D)	
9	9	White(RAL1102)	
C	C	Green(RAL6018/U)	

mat'l. code		surface ASME Y14.5	tolerance ASME Y14.5	projection 	product family TERMINAL BLOCK
ltr	ecn no	dr	date	tolerances unless otherwise specified	title
				angles X±1°	TERMINAL BLOCK
				scale	PLUGGABLE,180D WIRE INLET,END STACKABLE
dr	ENGR	chr	appd	EVIN ZHONG EVIN ZHONG HANKE FENG SHI JUN	041614 041614 041614 041614
sheet index				revision sheet	A 1

