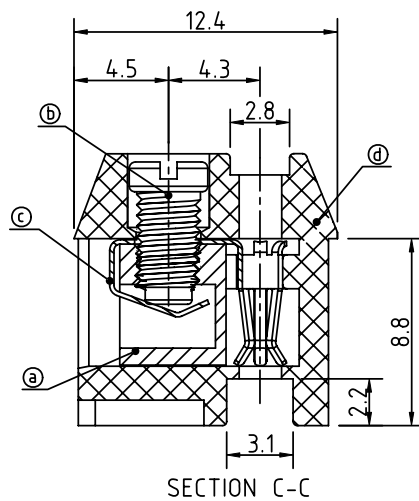
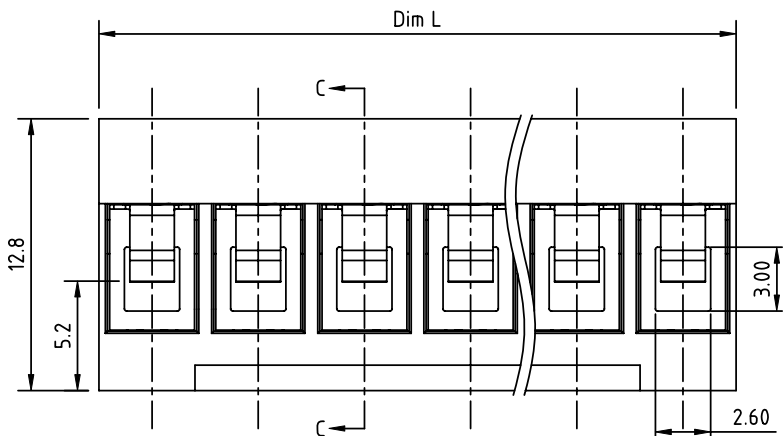
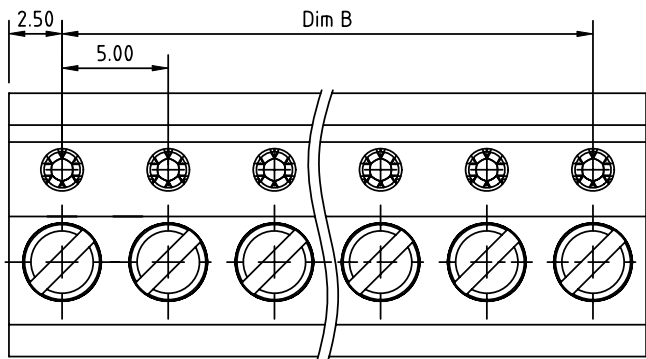


PRODUCT NUMBER	PITCH
TXxx03x000J0G	5.00 mm



Material

- Item (a) Clamp: Zinc Alloy Ni plated
- Item (b) Terminal screw: Steel Zinc plating "-" slot type
- Item (c) Female contact: PhBz, tin plated
- Item (d) Terminal housing: Thermoplastic (UL94V-0)

Electrical cULus

- Voltage rating: 300V
- Current rating: 10A
- Wire range:
- Solid wire(AWG): 14-26
- Stranded wire(AWG): 14-26
- Torque: 3.9Lb-In
- Screw: M3.0
- Wire strip length: 5-6mm
- Withstanding Voltage: 1.6KV
- Operating temperature: -40°C to +115°C
- Safety Approval: cULus

PART NO.: TX xx 03 x 0 00J0 G

N = Number of poles  
Dim L=Nx5.0  
Dim B=(N-1)x5.0

poles	Tolerance
2-6p	±0.15
7-12p	±0.20
13-18p	±0.30
19-24p	±0.40

Solid block	No. of poles	Color	RoHS compliant (lead<4%) In copper Alloy
0	2	Black (RAL9005)	
02	2 poles	Red (RAL3001/D)	
03	3 poles	Orange(RAL2011/P)	
...	...	4 Yellow(RAL1018/A)	
...	...	5 Green(RAL6018/T)	
24	24 poles	6 Blue (RAL5015/A)	
		8 Grey(RAL7035/D)	
		9 White(RAL1102)	
		C Green(RAL6018/U)	

mat'l. code		surface ASME Y14.5	tolerance ASME Y14.5	projection	product family TERMINAL BLOCK
ltr	ecn no	dr	date	 MM	title TERMINAL BLOCK PLUGGABLE, 180D WIRE INLET, SOLID BLOCK, SQUARE HOLE
tolerances unless otherwise specified					
angles		X.±0.5			dwg no TXxx03x000J0G sheet 1 of 1 size A4
X°±1'		X.XX±0.1			
dr	ENGR	chr	appd		
EVIN ZHONG	041614	HANKE FENG	SHI JUN		
EVIN ZHONG	041614				
sheet index	revision sheet	A	1		