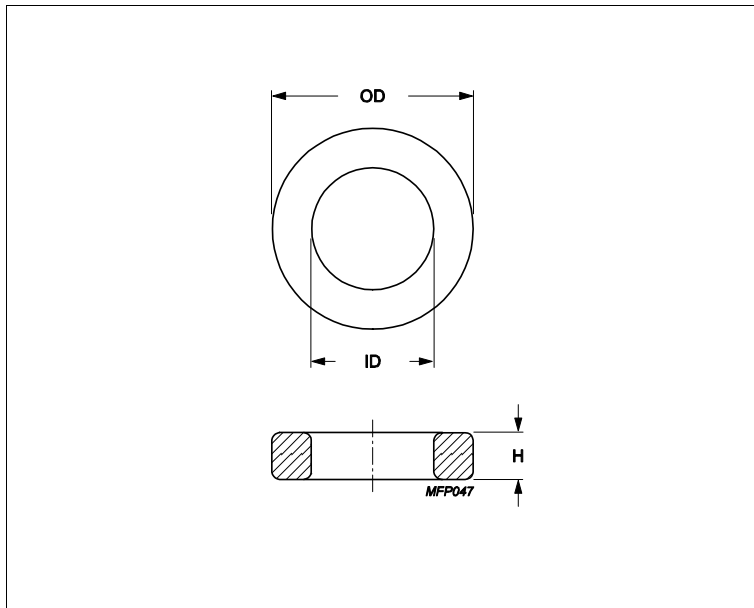


Core **Toroid 20/10/7**



Effective parameters			
	Parameter	Value	Unit
$\Sigma(I/A)$	core factor (C1)	1.3	mm ⁻¹
Ve	effective volume	1465	mm ³
Le	effective length	43.6	mm
Ae	effective area	33.6	mm ²
m	mass of core	≈ 7.7	g/pcs

Epoxy coating DC isolation voltage 2000.

Maximum operating temperature of the coating is 200°C.

Dimensions (mm)

Cores	OD	ID	H	
TX20/10/7	20.85 max	9.35 min	7.85 max	Epoxy Coated

Core data

Cores	Material	AI (nH/turns ²)	AI tolerance	μe
TX20/10/7	3C94	2240	± 25%	≈ 2300
TX20/10/7	3E10	9740	± 20%	≈ 10000
TX20/10/7	3E12	11700	± 30%	≈ 12000
TX20/10/7	3E27	5360	± 25%	≈ 5500
TX20/10/7	3E6 (3E10-M)	9740	± 30%	≈ 10000
TX20/10/7	3E65	5060	± 25%	≈ 5200