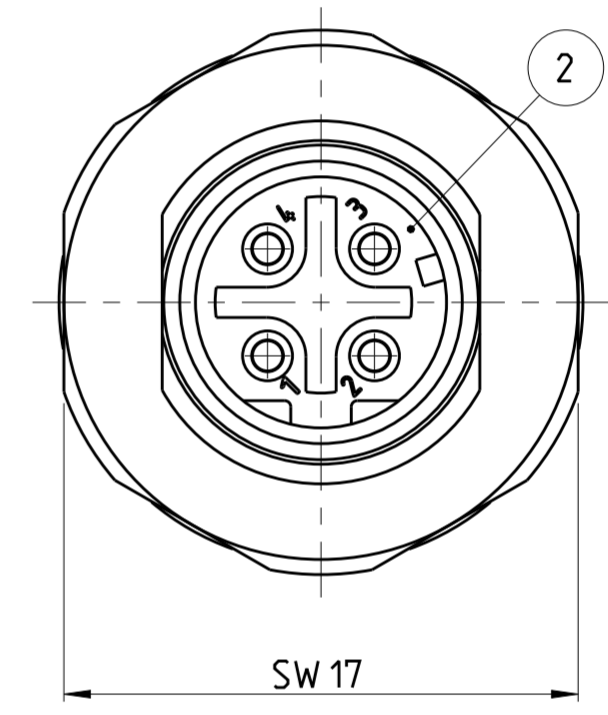
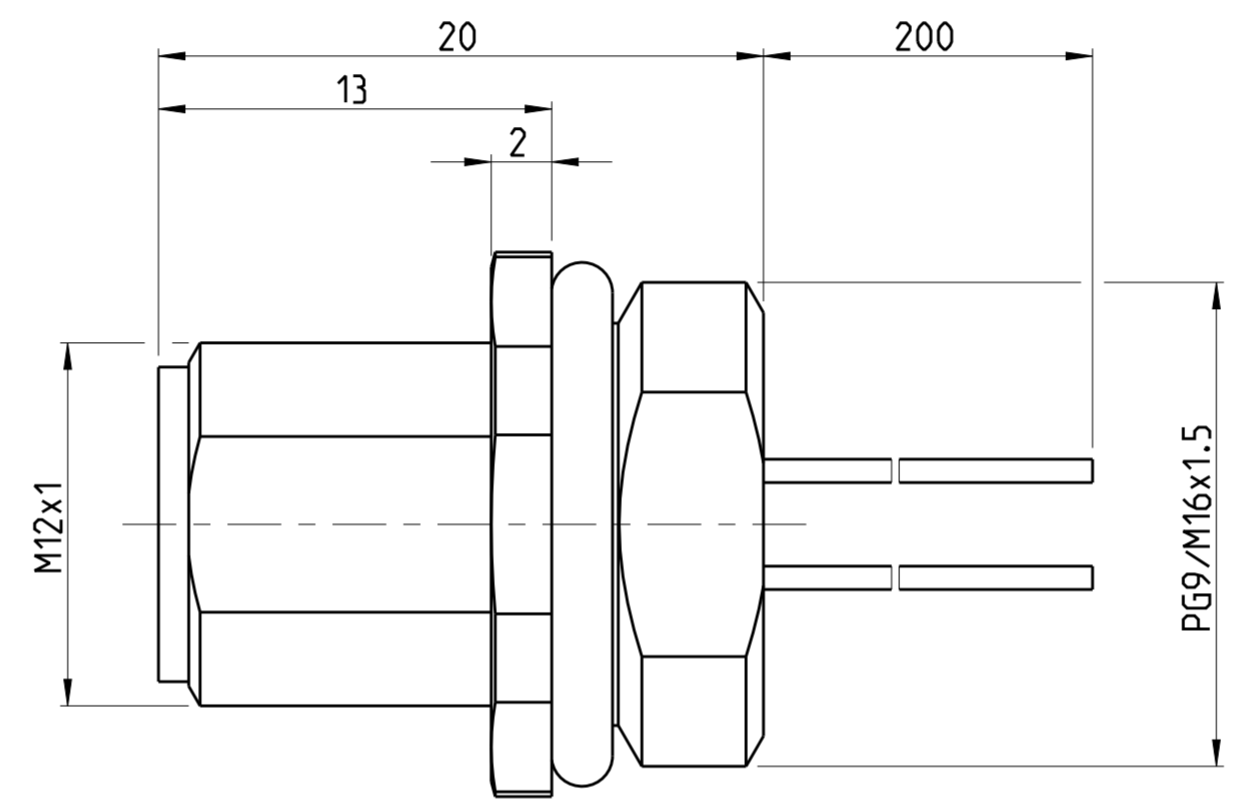
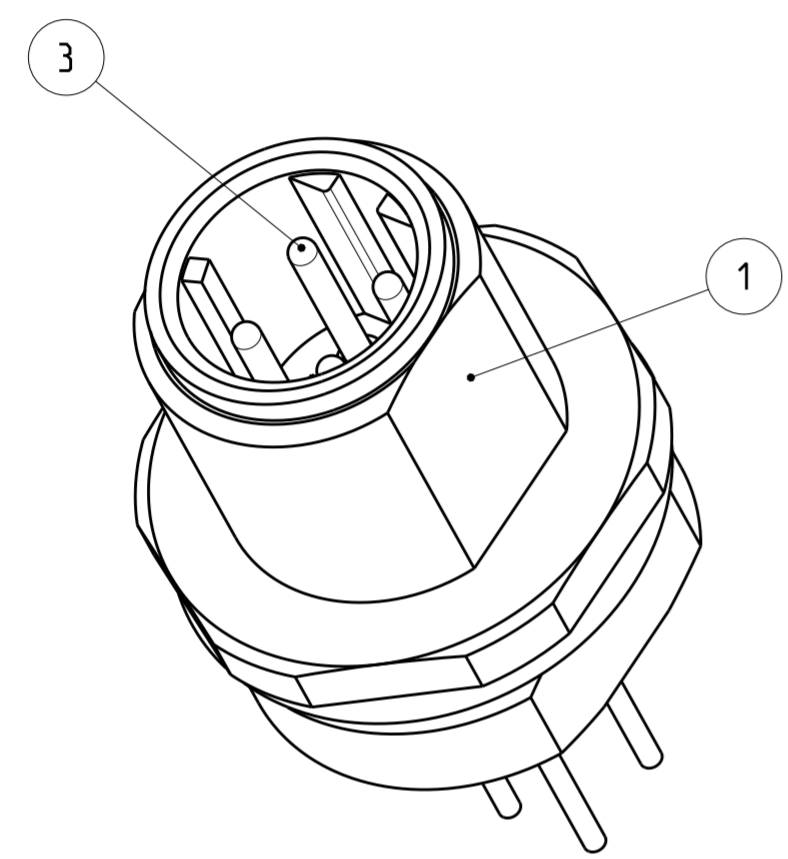


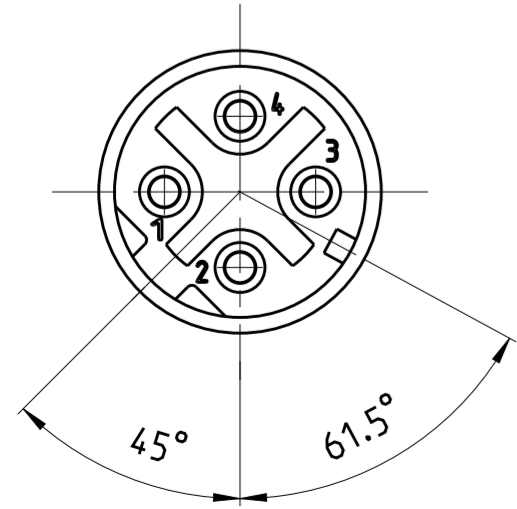
REVISIONS		DATE	DWN	APVD
ÄNDERUNGEN				
P	LTR	DESCRIPTION		
BESCHREIBUNG				
A1		DRAWING PUBLISHED	22MAY2014	YR CS
A2		WIRE DETAILS ADDED	12DEC2014	TJ PS

- NOTES:
- 1 MATERIAL: ITEM NO. 1: HOUSING - BRASS NICKEL PLATED
 ITEM NO. 2: CONTACT BODY - PA
 ITEM NO. 3: CONTACT - CuSn
 CONTACT FINISH - Au
 - 2 ALL DIMENSIONS ARE FOR NOMINAL REFERENCE ONLY UNLESS OTHERWISE STATED
 - 3 PACKAGING: 1 PIECE IN A BAG



PIN ARRANGEMENT D-CODING

3-2271136-2



TECHNICAL DATA	3-2271136-2
RATED VOLTAGE	250V
RATED IMPULSE VOLTAGE	2500V
POLLUTION DEGREE	3
OVERVOLTAGE CATEGORY	II
MATERIAL GROUP	II
RATED CURRENT	4A
VOLUME RESISTIVITY	≤ 3mΩ
DEGREE OF PROTECTION	IP68
UPPER TEMPERATURE	+85 °C
LOWER TEMPERATURE	-40 °C

24 / 0.25mm2	⚠	4	3-2271136-2
WIRES AWG/mm2	MATERIAL	NUMBER OF POLES	TE-PART-NO.

DIESE ZEICHNUNG IST EIN KONTROLLIERTES DOKUMENT. BEMASSUNGEN UND TOLERANZEN GEMAESS GPS (ISO STANDARDS). THIS DRAWING IS A CONTROLLED DOCUMENT. DIMENSIONING AND TOLERANCING PER GPS (ISO STANDARDS).

DIMENSIONS: MASSE/WEITEN: IT/IT1	TOLERANCES UNLESS OTHERWISE SPECIFIED: ALLGEMEINTOLERANZEN	DWN YASHKUMAR 22MAY2014	TE Connectivity
		CHK M.STRELOW 22MAY2014	
		APVD C.SCHREITLINGER 22MAY2014	
		NAME M12 RECEPTACLE, MALE PANEL FRONT MOUNT WITH WIRES. D-CODING	
MATERIAL	SEE NOTES	PRODUCT SPEC 108-19483	SIZE A2
		APPLICATION SPEC 114-32127	CAGE CODE 00779
		WEIGHT -	DRAWING NO. C-2271136
		Customer Drawing	RESTRICTED TO NUR FÜR -
			SCALE MASSTAB 4:1
			SHEET BLATT 1 OF 1
			REV A2