

DO NOT SCALE FROM THIS PRINT

NOTES:

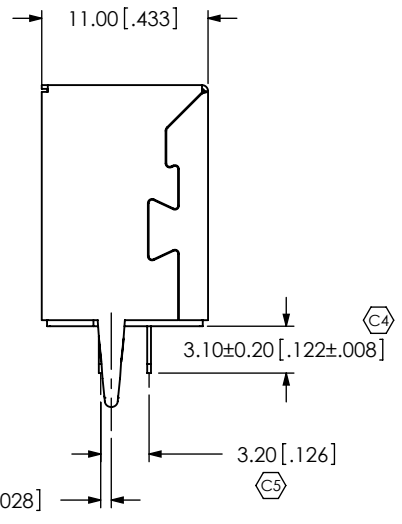
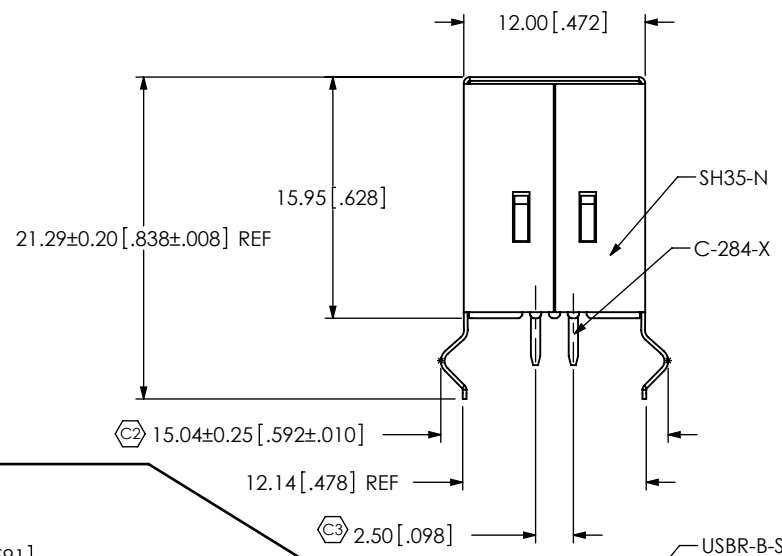
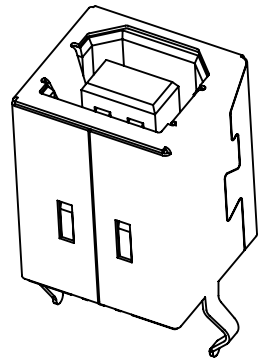
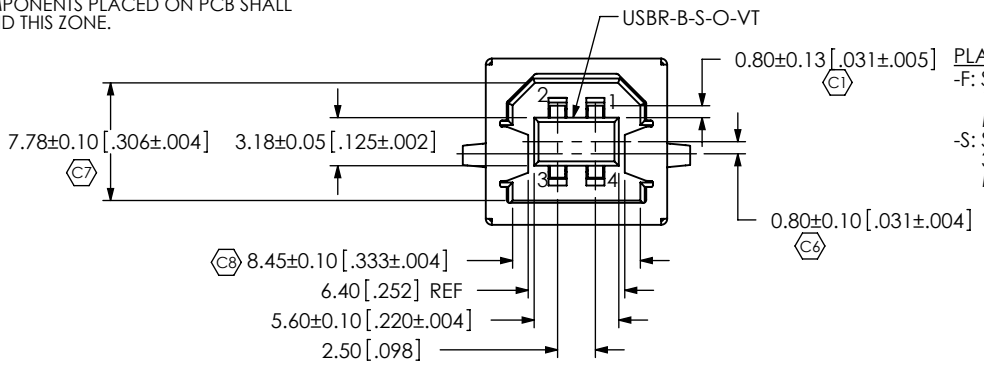
1. Ⓢ REPRESENTS A CRITICAL DIMENSION.
2. BURR ALLOWANCE: 0.038[.0015] MAX.
3. PARTS TO BE PACKAGING IN TRAYS.
4. ROHS COMPLIANT.
5. CONNECTOR ENVELOPE DIMENSIONS, OTHER COMPONENTS PLACED ON PCB SHALL AVOID THIS ZONE.

DESIGNED & DIMENSIONED IN MILLIMETERS [INCHES]

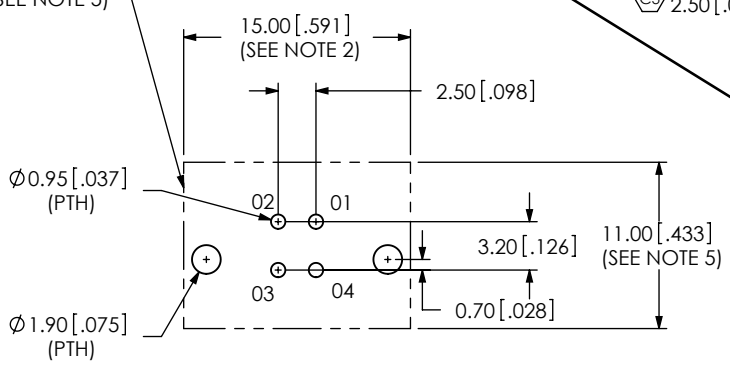
USB-R-B-S-X-O-VT

TYPE _____
 -B
 CONFIGURATION _____
 -S: SINGLE
 OPTION _____
 -VT: VERTICAL TOP ENTRY
 COLOR _____
 -O: ORANGE

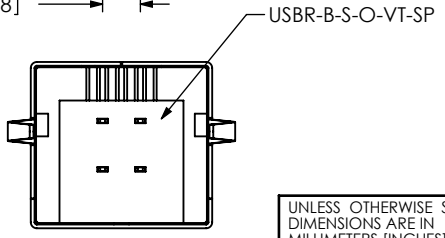
PLATING SPECIFICATION
 -F: SELECTIVE FLASH GOLD, 1 μ" MIN GOLD ON CONTACT AREA, MATTE TIN ON TAIL
 -S: SELECTIVE GOLD, 30 μ" GOLD ON CONTACT AREA, MATTE TIN ON TAIL



CONNECTOR OUTLINE (SEE NOTE 5)



RECOMMENDED PCB LAYOUT



UNLESS OTHERWISE SPECIFIED, DIMENSIONS ARE IN MILLIMETERS [INCHES]. TOLERANCES ARE: DECIMALS ANGLES X.X: ±0.25 [.01] 2° X.XX: ±0.13 [.005] X.XXX: ±0.050 [.0020]	PROPRIETARY NOTE THIS DOCUMENT CONTAINS INFORMATION CONFIDENTIAL AND PROPRIETARY TO SAMTEC, INC. AND SHALL NOT BE REPRODUCED OR TRANSFERRED TO OTHER DOCUMENTS OR DISCLOSED TO OTHERS OR USED FOR ANY PURPOSE OTHER THAN THAT WHICH IT WAS OBTAINED WITHOUT THE EXPRESSED WRITTEN CONSENT OF SAMTEC, INC.	
		520 PARK EAST BLVD, NEW ALBANY, IN 47150 PHONE: 812-944-6733 FAX: 812-948-5047 e-Mail: info@SAMTEC.com code: 55322
MATERIAL: DO NOT SCALE DRAWING SHEET SCALE: 2:1 INSULATOR: PA9T, COLOR: ORANGE CONTACT: PHOS BRONZE UNDER .000050~.000080 NICKEL PLATED SHELL: BRASS .000050~.00012 NICKEL PLATED.	DESCRIPTION: HIGH RETENTION USB TYPE B VERTICAL TOP ENTRY	DWG. NO. USB-R-B-S-X-O-VT
F:\DWG\MISC\MKTG\USB-R-B-S-X-O-VT-MKT.SLDRW	BY: TALON Z 06/25/2009	SHEET 1 OF 1