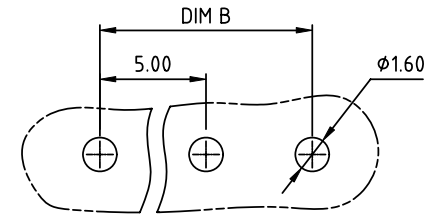
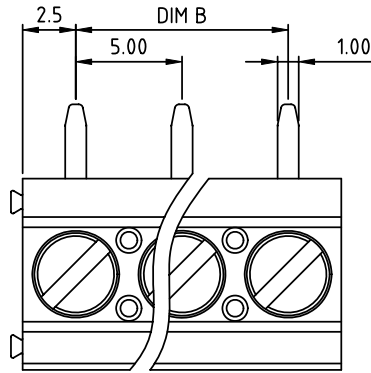
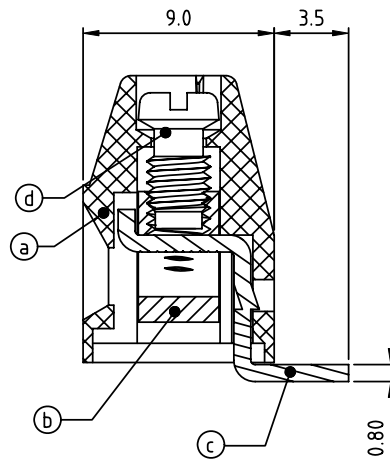
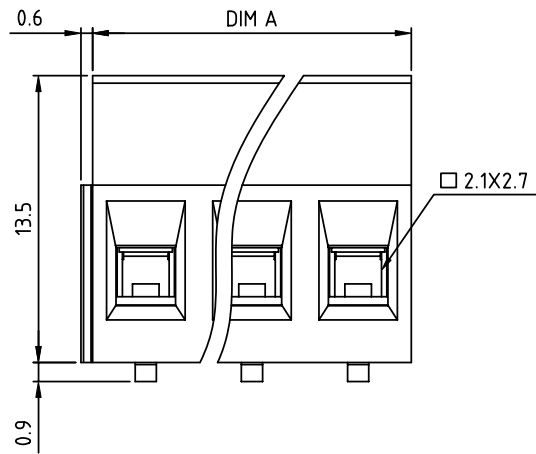


PRODUCT NUMBER	PITCH
Vlxx01x000J0G	5.00 mm



RECOMMENDED P.C.B LAYOUT  
TOP VIEW



Material:

- Item①Terminal housing :Thermoplastic (UL 94V-0)
- Item②Clamp : Brass ,Ni plated
- Item③Solder pin : Brass ,Tin plated
- Item④Terminal screw : Steel Zinc plating"- "slot type

Electrical cULus/FIMKO

- Voltage rating: 300VAC/300VAC
- Current rating: 16A/17.5A
- Wire range: 0.5 ~ 1.5mm<sup>2</sup>
- Solid wire(AWG): 12-28
- Stranded wire(AWG): 12-28
- Torque: 3.5Lb-In./0.5Nm
- Screw: M3
- Wire strip length: 6-7mm
- Withstanding Voltage: 1.6KV/2.5KV
- Operating temperature: -40°C to +115°C
- Soldering temperature: 260°C±5°C/5 Sec
- Safety Approval:

DIMENSION

DIM A	NX5.0
DIM B	(N-1)X5.0

N=Number of poles

Poles	Tolerance
2p-6p	±0.15
7p-12p	±0.25
13p-18p	±0.35
19p-24p	±0.40

PART NO.: VI xx 01 x 0 00J0 G

- |               |   |                   |                 |
|---------------|---|-------------------|-----------------|
| End stackable | 0 | Black (RAL9005)   | RoHS compliant  |
| No. of poles  | 2 | Red (RAL3001/D)   | (lead<4%)       |
| 02 2 poles    | 3 | Orange(RAL2011/P) | In copper Alloy |
| 03 3 poles    | 4 | Yellow(RAL1018/A) |                 |
| ... ..        | 5 | Green(RAL6018/T)  |                 |
| 24 24 poles   | 6 | Blue (RAL5015/A)  |                 |
|               | 8 | Grey(RAL7035/D)   |                 |
|               | 9 | White(RAL1102)    |                 |
|               | C | Green(RAL6018/U)  |                 |

mat'l. code		surface ASME Y14.5	tolerance ASME Y14.5	projection 	product family TERMINAL BLOCK
ltr	ecn no	dr	date	tolerances unless otherwise specified	title TERMINAL BLOCK
				angles 	↑ MM ↓
				X±0.5	scale
				X.X±0.3	dwg no
				X.XX±0.1	sheet 1 of 1
		dr	EVIN ZHONG	040914	size A4
		enr	EVIN ZHONG	040914	Vlxx01x000J0G
		chr	HANKE FENG	040914	type CUSTOMER Drawing
		appd	SHI JUN	040914	
sheet index	revision sheet	A	1		