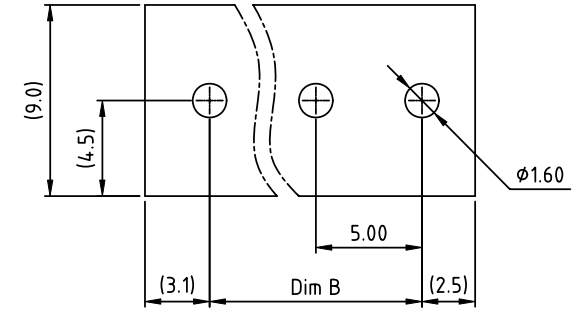
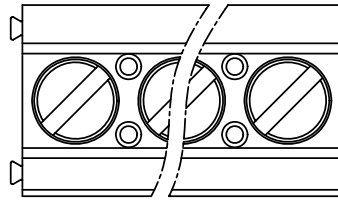
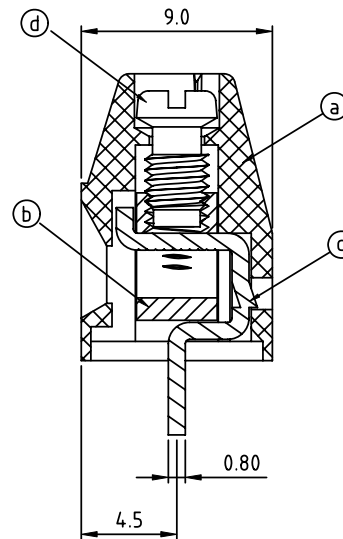
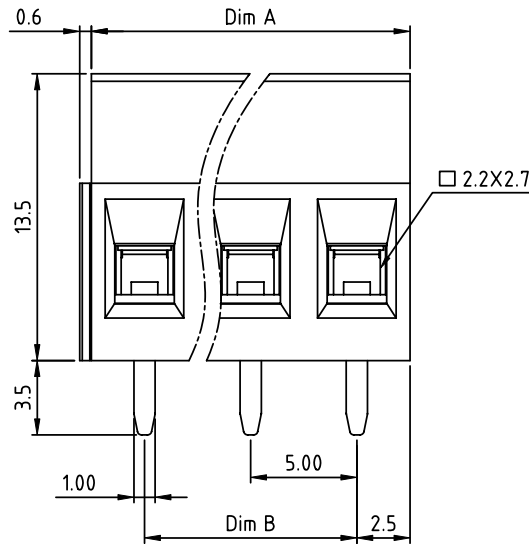


PRODUCT NUMBER	PITCH
Vlxx01x200J0G	5.00 mm



RECOMMENDED P.C.B LAYOUT
TOP VIEW



Material:

- Item (a) Terminal housing : Thermoplastic (UL 94V-0)
- Item (b) Clamp : Brass ,Ni plated
- Item (c) Solder pin : Brass ,Tin plated
- Item (d) Terminal screw : Steel Zinc plating"- "slot type

Electrical cULus/FIMKO

- Voltage rating: 300VAC/300VAC
- Current rating: 16A/17.5A
- Wire range: 0.5 ~ 1.5mm²
- Solid wire(AWG): 12-28
- Stranded wire(AWG): 12-28
- Torque: 3.5Lb-In./0.5Nm
- Screw: M3
- Wire strip length: 6-7mm
- Withstanding Voltage: 1.6KV/2.5KV
- Operating temperature: -40°C to +115°C
- Soldering temperature: 260°C±5°C/5 Sec
- Safety Approval:

PART NO.: VI xx 0 1 x 2 00J0 G

N=Number of poles
Dim A=Nx5.0
Dim B=(N-1)x5.0

poles	Dim A	Dim B
2-6p	±0.15	±0.10
7-12p	±0.20	±0.20
13-18p	±0.30	±0.25
19-24p	±0.40	±0.30

End stackable	No. of poles	Color	RoHS compliant (lead<4%) In copper Alloy
0	2	Black (RAL9005)	
02	2	Red (RAL3001/D)	
03	3	Orange(RAL2011/P)	
4	4	Yellow(RAL1018/A)	
5	5	Green(RAL6018/T)	
6	6	Blue (RAL5015/A)	
8	8	Grey(RAL7035/D)	
9	9	White(RAL1102)	
C	24	Green(RAL6018/U)	

mat'l. code		surface ASME Y14.5	tolerance ASME Y14.5	projection	product family TERMINAL BLOCK
ltr	ecn no	dr	date		title TERMINAL BLOCK
tolerances unless otherwise specified				MM	RISING CLAMP,180D WIRE INLET,END STACKABLE
angles				scale	dwg no
X±0.5					sheet 1 of 1
X.X±0.3					size A4
X*±1*					Vlxx01x200J0G
dr	EVIN ZHONG	060614			type CUSTOMER Drawing
enr	EVIN ZHONG	060614			
chr	HANKE FENG	060614			
appd	SHI JUN	060614			
sheet index	revision	B			
	sheet	1			