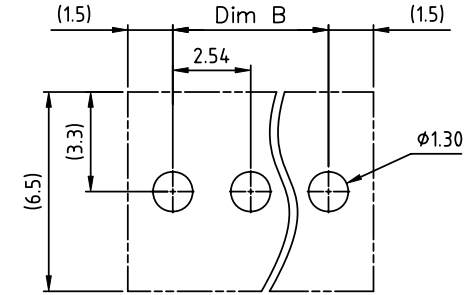
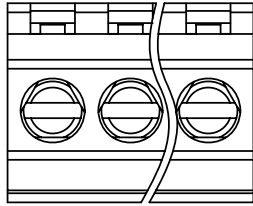
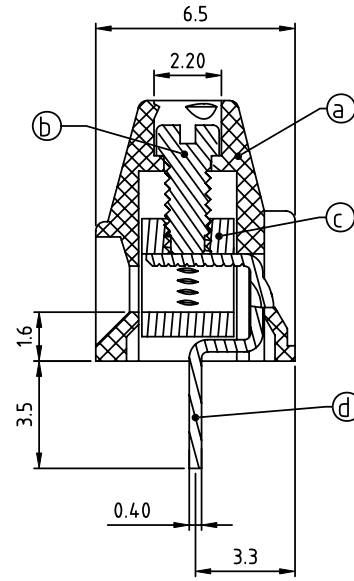
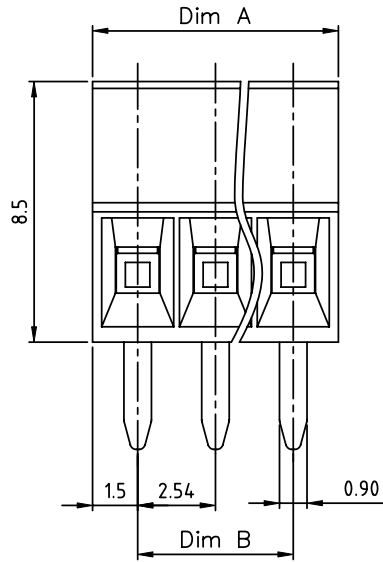


PRODUCT NUMBER	PITCH
VNxxA1x000J0G	2.54 mm



RECOMMENDED P.C.B LAYOUT
TOP VIEW



Material

- Item Ⓐ Terminal housing : Thermoplastic (UL94V-0)
- Item Ⓒ Terminal screw : Steel Zinc plating "-" slot type
- Item Ⓓ Clamp : Brass, Ni plated
- Item Ⓔ solder pin : Brass, Tin plated

Electrical cULus

- Voltage rating: 150VAC
- Current rating: 6A
- Wire range:
- Solid wire(AWG): 18-30
- Stranded wire(AWG): 18-30
- Torque: 1.3Lb-In
- Screw: M1.6
- Wire strip length: 4-5mm
- Withstanding Voltage: 1.3KV
- Operating temperature: -40°C to +115°C
- Soldering temperature: 260°C±5°C/5 Sec
- Safety Approval: cULus

PART NO.: VN xx A 1 x 0 00J0 G

N = Number of poles
Dim A=N×2.54+0.4
Dim B=(N-1)×2.54

poles	Dim A	Dim B
2-6p	±0.15	±0.10
7-12p	±0.20	±0.20
13-18p	±0.30	±0.25
19-24p	±0.40	±0.30

Solid Block	No. of poles	Color	RoHS compliant (lead<4%) In copper Alloy
0	2	Black (RAL9005)	
02	2 poles	Red (RAL3001/D)	
03	3 poles	Orange(RAL2011/P)	
...	...	4 Yellow(RAL1018/A)	
...	...	5 Green(RAL6018/T)	
24	24 poles	6 Blue (RAL5015/A)	
		8 Grey(RAL7035/D)	
		9 White(RAL1102)	
		C Green(RAL6018/U)	

mat'l. code		surface ASME Y14.5	tolerance ASME Y14.5	projection	product family TERMINAL BLOCK
ltr	ecn no	dr	date	tolerances unless otherwise specified	title
				angles X±0.5	TERMINAL BLOCK
				fillet X.X±0.3	scale
				flatness X.XX±0.1	MM
				dr	scale
				ENGR	EVIN ZHONG 040714
				chr	HANKE FENG 040714
				appd	SHI JUN 040714
sheet index	revision	A		FCI	dwg no
	sheet	1			VNxxA1x000J0G
				sheet 1 of 1	size
					A4
				type	CUSTOMER Drawing