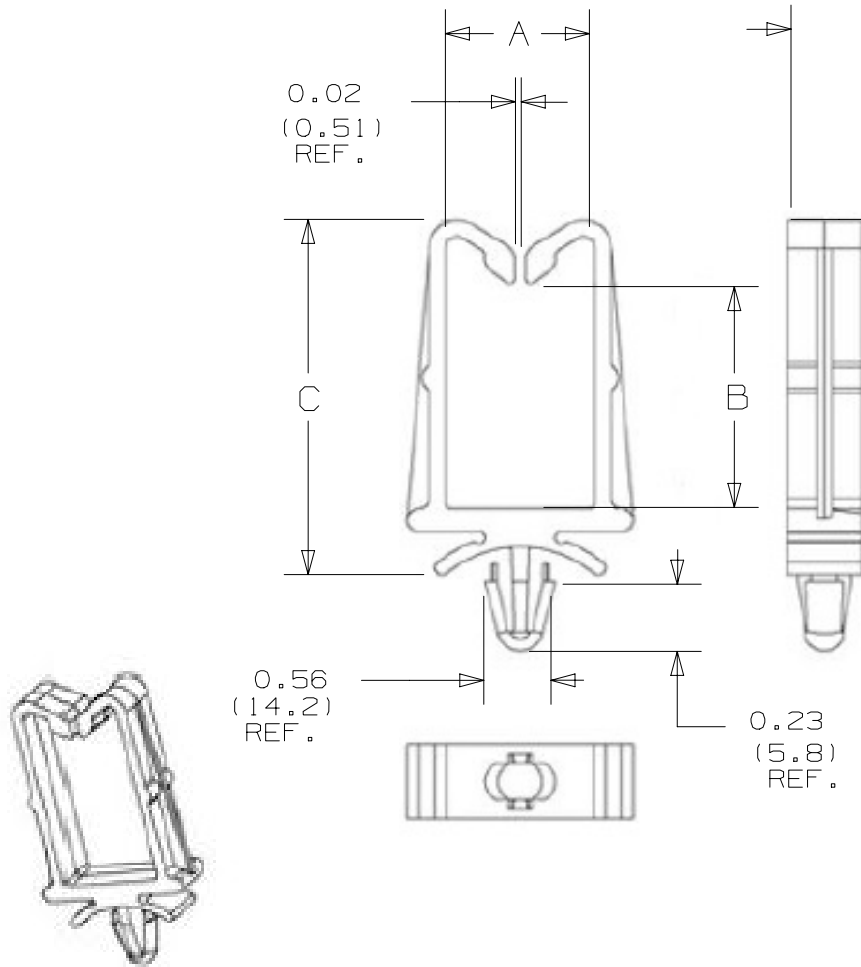


THIS COPY IS PROVIDED ON A RESTRICTED BASIS AND IS NOT TO BE USED IN ANY WAY DETRIMENTAL TO THE INTERESTS OF PANDUIT CORP.



| PANDUIT PART NUMBER | DIMENSION | | |
|---------------------|-----------------|-----------------|-----------------|
| | A | B | C |
| VWS3750 | 0.375 (9.5) | 0.500 (12.7) | 0.900 (22.9) |
| VWS3775 | 0.375 (9.5) | 0.750 (19.0) | 1.172 (29.8) |
| VWS50100 | 0.500 (12.7) | 1.000 (25.4) | 1.425 (36.2) |

NOTES:

- 1) HOLE SIZE 0.187/0.192 (4.7/4.9 mm)
- 2) PANEL THICKNESS 0.030/0.080 (0.8/2.0 mm)
- 3) MAX BUNDLE CAPACITY = A × B

| REV | DATE | BY | CHK | APR | DESCRIPTION | ECN |
|-----|---------|-----|------|------|---|-------------|
| 02 | 6/02/15 | BWG | MRJS | JADE | ADDED REF. DIMENSIONS AND METRIC DIMENSIONS. | 10B233AB/02 |
| 01 | 5/20/15 | BWG | MRJS | JADE | REVISED NOTE 2. SEE ECN FOR COMPLETE DETAILS. | 10B233AB/01 |
| 00 | 4/15/15 | BWG | MRJS | JADE | DRAWING RELEASED. | 10B233AB/00 |

| | | | | | | |
|---|------------------------|-----|----------------------|------------|---------------------------------------|------------------|
| TITLE VERTICAL WIRE SADDLES - VWS3750, VWS3775 & VWS50100 | | | | | | |
| CUSTOMER DRAWING | | | | | | |
| ITEM REVISION NAME 10B233AB/02 | | | | | PANDUIT | |
| DATASET FILE NAME 10B233AB_DC/02 | | | | | | |
| UNLESS OTHERWISE SPECIFIED, DIMENSIONAL TOLERANCES ARE: IN [mm] | | | | | MATERIAL: NYLON 6.6 | |
| .X ± .XX ± .XXX ± .031 ANGLES ± | | | | | DRAWING NUMBER: 10B233AB_DC | |
| THIRD ANGLE PROJECTION | | | | | | |
| DRAWN BY GILES | DATE 4/15/15 | CHK | SCALE NONE | SHT 1 OF 1 | | SIZE A |