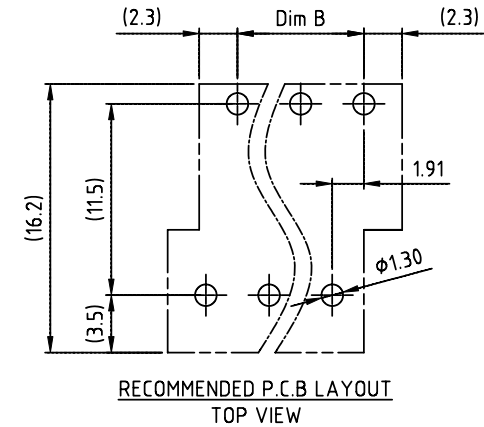
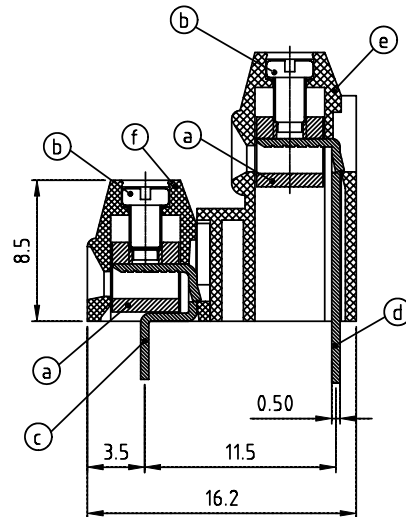
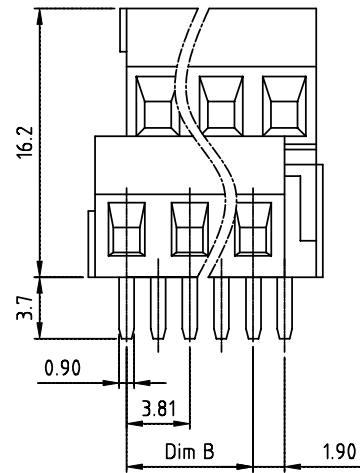
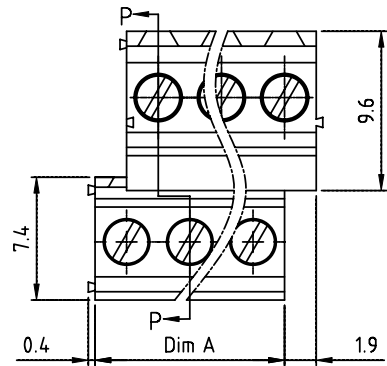


PRODUCT NUMBER	PITCH
YQxx41x000J0G	3.81mm



- Material:
- ItemⒶ Clamp: Brass ,Ni plated
 - ItemⒷ Terminal screw: Steel Zinc plating"- "slot type
 - ItemⒸ Solder pin1 : Brass ,Tin plated (Y0)
 - ItemⒹ Solder pin2 : Brass ,Tin plated (YP)
 - ItemⒺ Terminal housing : Thermoplastic (UL 94V-0) (YP3.81)
 - ItemⒻ Terminal housing : Thermoplastic (UL 94V-0) (Y03.81)

- Electrical cULus
- Voltage rating: 300VAC
 - Current rating: 10A
 - Wire range:
 - Solid wire(AWG): 16-24
 - Stranded wire(AWG): 16-24
 - Torque(Lb-In): 1.7
 - Screw: M2
 - Wire strip length: 5-6mm
 - Withstanding Voltage: 1.6KV
 - Operating temperature: -40°C to +115°C
 - Soldering temperature: 260°C±5°C/5 Sec
 - Safety Approval: cULus

DimA=N/2×3.81
DimB=(N/2-1)×3.81

N=Number of poles

POLES	Tolerance
2×2p-2×6p	±0.15
2×7p-2×12p	±0.20
2×13p-2×18p	±0.25
2×19p-2×24p	±0.30

PART NO.: YQ xx 4 1 x 0 00J0 G

	Color	RoHS compliant
Solid Block	0 Black (RAL9005)	(lead<4%)
No. of poles	2 Red (RAL3001/D)	In copper Alloy
04 2×2 POLES	3 Orange(RAL2011/P)	
06 2×3 POLES	4 Yellow(RAL1018/A)	
...	5 Green(RAL6018/T)	
48 2×24 POLES	6 Blue (RAL5015/A)	
	8 Grey(RAL7035/D)	
	9 White(RAL1102)	
	C Green(RAL6018/U)	

mat'l. code		surface ASME Y14.5	tolerance ASME Y14.5	projection	product family
ltr	ecn no	dr	date	⊕	TERMINAL BLOCK
				MM	title
				scale	TERMINAL BLOCK
				FCI	RISING CLAMP,180D WIRE INLET,LEFT TYPE
				dr	dwg no
				enr	sheet 1 of 1
				chr	size
				appd	YQxx41x000J0G
					A4
					type
					CUSTOMER Drawing
sheet index	revision	A			
	sheet	1			