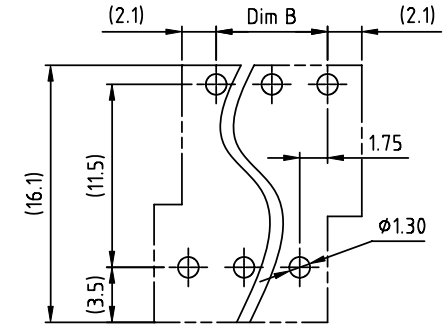
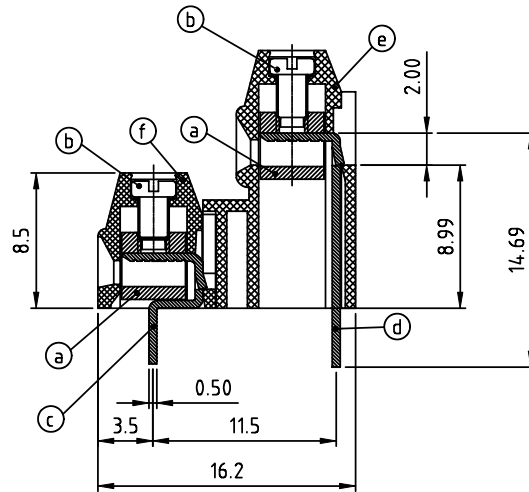
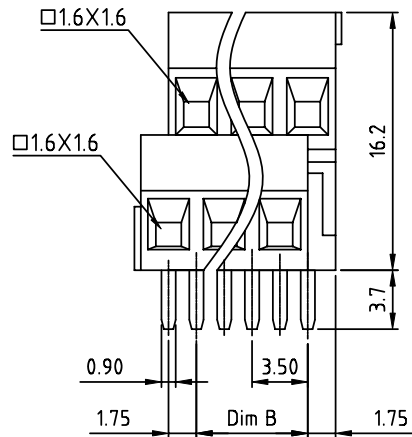
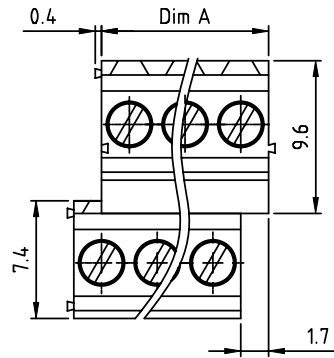


PRODUCT NUMBER	PITCH
YQxx01x000J0 G	3.50 mm



RECOMMENDED P.C.B LAYOUT
TOP VIEW

Material:

- Item① Clamp: Brass ,Ni plated
- Item② Terminal screw: Steel Zinc plating"- "slot type
- Item③ Solder pin1 : Brass ,Tin plated (Y0)
- Item④ Solder pin2 : Brass ,Tin plated (YP)
- Item⑤ Terminal housing : Thermoplastic (UL 94V-0) (YP3.5)
- Item⑥ Terminal housing : Thermoplastic (UL 94V-0) (Y03.5)

Electrical cULus

- Voltage rating: 300VAC
- Current rating: 10A
- Wire range:
- Solid wire(AWG): 16-24
- Stranded wire(AWG): 16-24
- Torque(Lb-In): 1.7
- Screw: M2
- Wire strip length: 5-6mm
- Withstanding Voltage: 1.6KV
- Operating temperature: -40°C to +115°C
- Soldering temperature: 260°C±5°C/5 Sec
- Safety Approval: cULus

DimA=N×3.5	
DimB=(N-1)×3.5	
N=Number of poles	
POLES	Tolerance
2×2p-2×6p	±0.15
2×7p-2×12p	±0.20
2×13p-2×18p	±0.25
2×19p-2×24p	±0.30

PART NO.: YQ xx 0 1 x 0 00J0 G

Solid Block	0	Black (RAL9005)	RoHS compliant (lead<4%) In copper Alloy
No. of poles	2	Red (RAL3001/D)	
04 2×2 POLES	3	Orange(RAL2011/P)	
06 2×3 POLES	4	Yellow(RAL1018/A)	
... ..	5	Green(RAL6018/T)	
48 2×24 POLES	6	Blue (RAL5015/A)	
	8	Grey(RAL7035/D)	
	9	White(RAL1102)	
	C	Green(RAL6018/U)	

mat'l. code				surface ASME Y14.5		tolerance ASME Y14.5		projection		product family	
ltr ecn no dr date				tolerances unless otherwise specified		X.±0.5		MM		TERMINAL BLOCK	
				angles		X.X±0.3				title	
				X°±1'		X.XX±0.1		scale		TERMINAL BLOCK	
				dr		EVIN ZHONG 040714				RISING CLAMP,180D WIRE INLET,LEFT TYPE	
				enrg		EVIN ZHONG 040714				dwg no	
				chr		HANKE FENG 040714				sheet 1 of 1	
				appd		SHI JUN 040714				size	
										YQxx01x000J0 G	
										A4	
										type	
										CUSTOMER Drawing	
sheet index		revision sheet		A		1					